

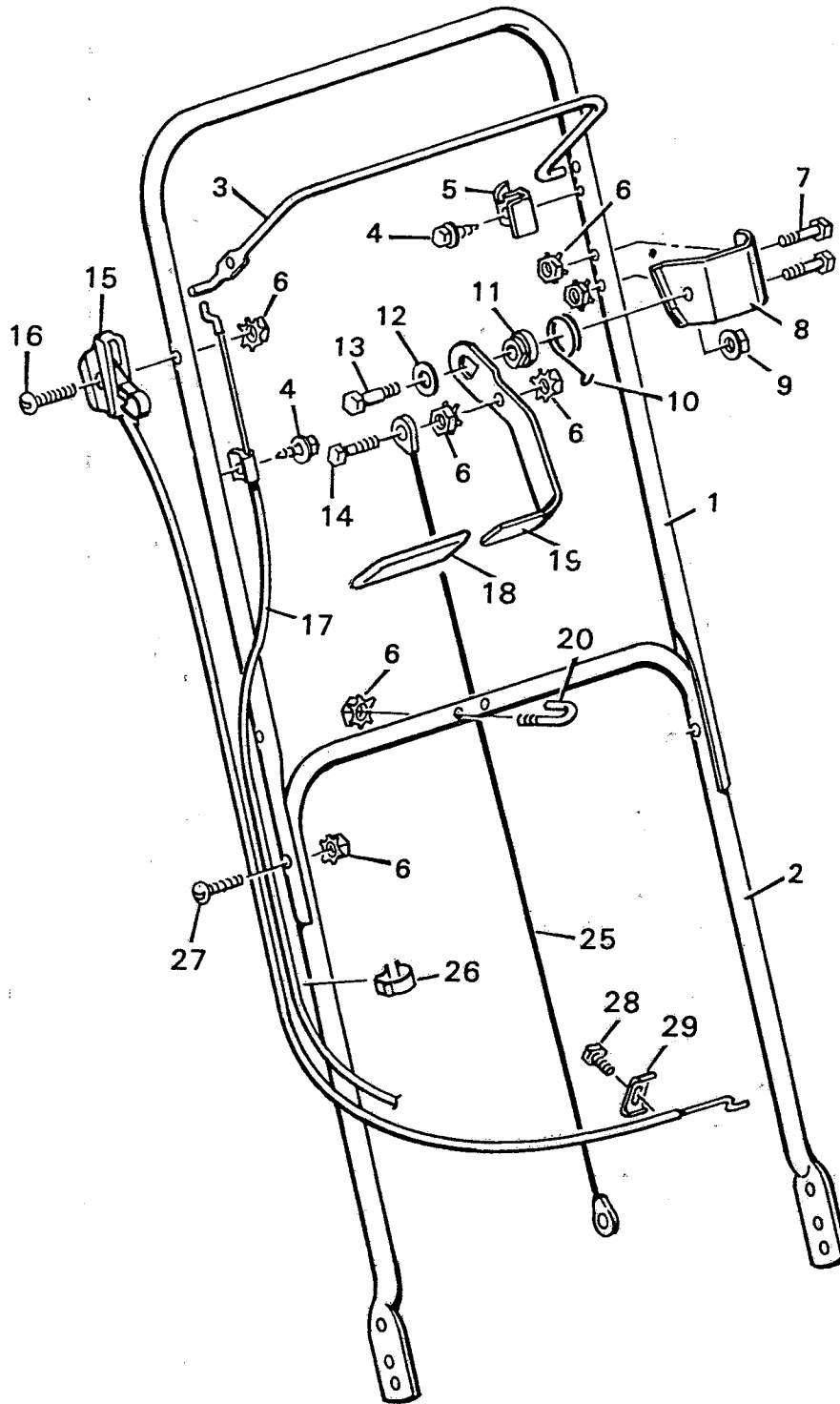
D-3552-1

KEY NO.	DESCRIPTION	PART NO.
1	Engine*	----
2	Dipstick*	----
3	Screw*	----
4	Screw #10-32x1/2	26x234
5	Woodruff Key	20062
6	Chain	43127
6a	Snap on Link	11343
6b	Roller Link	11344
7	Sprocket, Drive	20411
8	Pin, Spring	32x64
9	Screw, Tapping	26x242
10	Guard, Pinion	43113
11	Spring, Left Torsion	165x25 166x25
12	Bolt, Hex 1/4"-20x1 1/2"	1x71
12a	Bolt Hex 1/4"-20x1 3/4 (RH Front)	1x90
13	Locknut, Flange 3/8"-16	15x84
14	Bracket, Drive Arm	43103 Z
15	Spacer, Left	43119
16	Bolt, Hex 3/8"-16	1x87
17	Drive Arm Assembly	43112 E
18	Spacer, Right	43120
19	Spring, Right Torsion	166x24
20	Bolt	1x38
21	Nut, Flange Hex	15x68 Z
22	Bushing	43122
23	Washer, Nylon	43121
24	Bolt, Shoulder 3/8"-16	9x31 Z
25	Bolt, Hex 1/4"-20x1 1/4"	20412
26	Pivot Arm	43106 Z
27	Nut, Keys	15x66
28	Cable, Drive - Fixed Handle	43128
29	Bracket, Pivot Arm	43102
30	Retainer Ring	11x8
31	Drive Pinion	20066
32	Spring Pin	32x64
33	Bolt, Hex 1/4"-20x5/8"	1x38
34	Retainer, Bearing	43107 Z
35	Washer	17x100 Z
36	Bearing	20048
37	Nut, Flange 1/4"-20	15x82
38	Drive Shaft & Sprocket Assembly for models w/Height Adjusters	43109 Z
39	Bolt, Engine	20103
40	Housing	70090
41	Wheel and Tire**	20105
45	Wheel Adjuster - See Page - 36 31	----
46	Locknut, Flange	15x82
47	Blade	20046 HT
48	Washer, Belleville	17x137
49	Washer	17x124
50	Bolt	1x69
51	Rotary Blade Adapter	42735
52	Chute Deflector	42919
53	Spring, Torsion	166x5
54	Pin, Pivot	22326 Z
55	Push on Cap	28x42
56	Retainer	42743
57	Deflector, Rear	42747
62	Cotter Pin	30x35
	Parts Bag	43013
	Instruction Book	F-7889
	Grass Catcher Assembly	6-24065

The engine model, type, and code numbers are on the engine. All parts to the engine are available from a Briggs & Stratton Authorized Service Center. See *Engines, Gasoline" or "Gasoline Engines" in the yellow pages of the telephone directory.

6-22551

HANDLE PARTS LIST



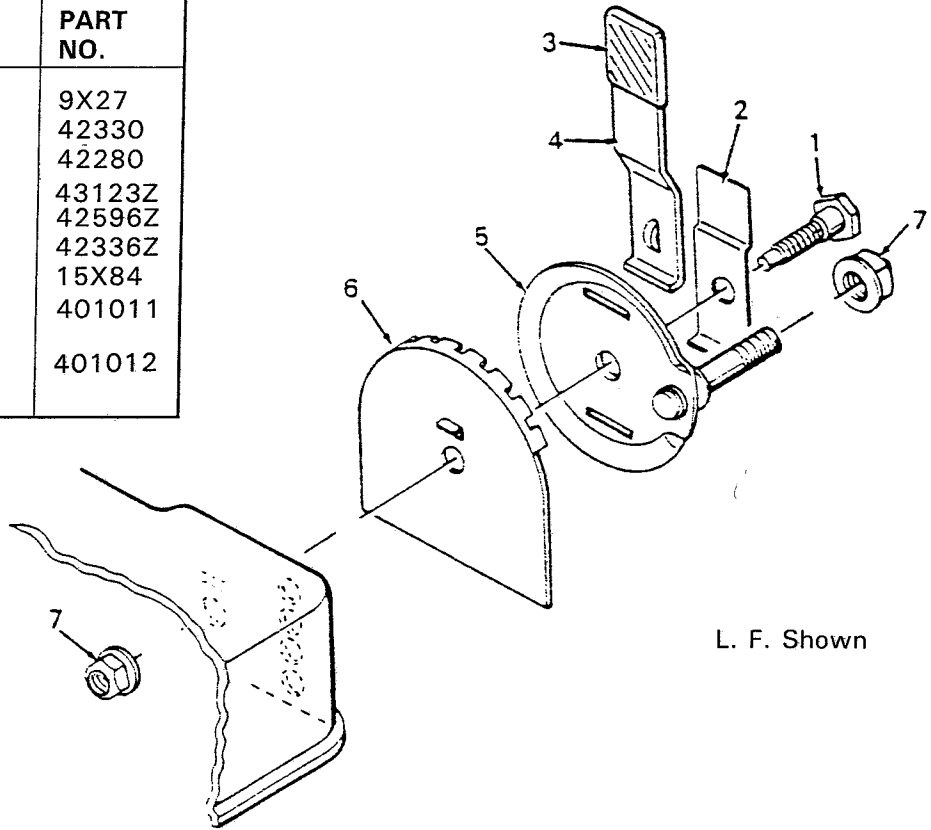
D-3602

HANDLE PARTS LIST

KEY NO.	DESCRIPTION	PART NO.
1	Handle, Upper	43114 C
2	Handle, Lower	42891 C
3	Lever, Engine Stop	42764 C
4	Screw	26x220
5	Stop, Lever	42765 Z
6	Nut, Keps	15x66
7	Bolt, Hex	1x94
8	Lever Support Assembly	43136
9	Nut, Flange	15x68 Z
10	Spring	166x26
11	Bushing	43122
12	Washer, Nylon	43121
13	Bolt, Shoulder	9x31
14	Bolt	20412
15	Throttle Control	42949
16	Bolt	3x105
17	Cable, Engine Stop	42569
18	Grip	43126
19	Lever, Drive	43101 Z
20	U bolt	42896 Z
25	Cable, Drive	43128
26	Clamp, Cable	42950
27	Bolt	3x136 Z
28	Bolt	26x181
29	Clamp	20073

Wheel Adjuster Assembly For 6-22551, 6-22583, 6-22251, 6-22261, 6-22271 & 6-Specials of These Murray Models

KEY NO.	DESCRIPTION	PART NO.
1	Shoulder Bolt	9X27
2	Spring	42330
3	Grip	42280
4	Adjuster Lever	43123Z
5	Wheel Adjuster Bracket	42596Z
6	Index Plate	42336Z
7	Flange Nut	15X84
1-7	Wheel Adjuster Assembly Right Front or Left Rear	401011
1-7	Wheel Adjuster Assembly Left Front or Right Rear	401012



Wheel Adjuster Assembly For 6-21951, 6-21961 & 6-Specials Of These Murray Models

KEY NO.	DESCRIPTION	PART NO.
1	Adjuster Lever, Rear Bagger	42757
2	Shoulder Bolt	9X26
3	Hex Nut	15X84
4	Washer	17X102Z
5	Grip	20065
6	Hex Bolt	1X85
7	Index Plate-LF,RR	42753Z
	Index Plate-RF,LR	42754Z
8	Hex Nut	15X97
9	Flange Nut	15X68Z
1-9	Height Adj. Ass'y, Rear Bagger (For right front or left rear)	400275
	Height Adj. Ass'y, Rear Bagger (For left front or right rear)	400276

