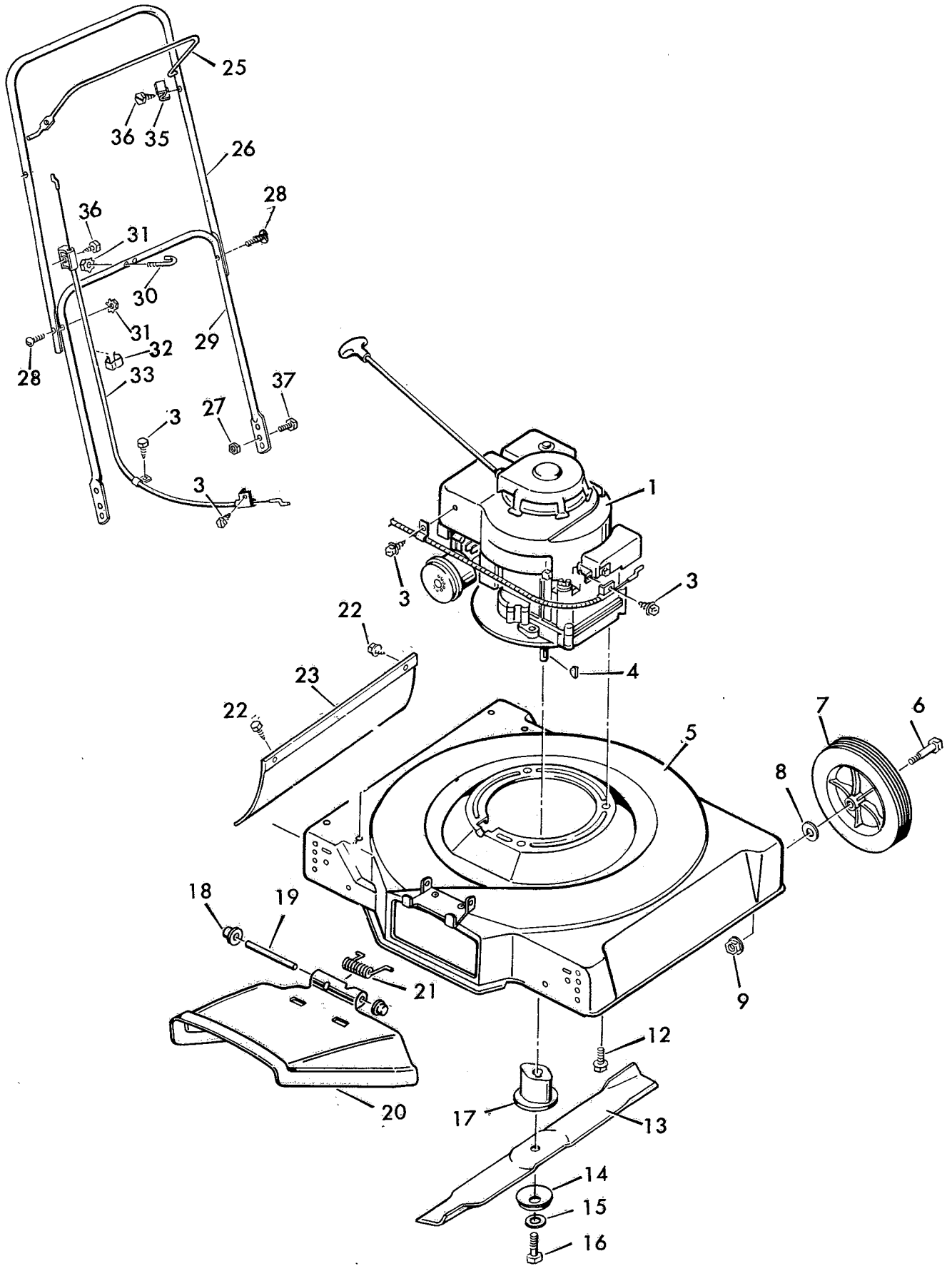


6-20201 20" B&S
6-20291 20" TEC.

Mower Housing Illustration



Mower Housing Illustration

6-20201 20" B&S
6-20291 20" TEC.

KEY	DESCRIPTION	6-20201	6-20291
1	Engine	B&S Engine	Tecumseh
3	Screw	26X234	26X224
4	Woodruff Key	20062	20062
5	Housing	70082	70082
6	Axle Bolt	9X10Z	9X10Z
7	6" Blowmolded Wheel	42012	42012
8	Washer	10851Z	10851Z
9	Hex Nut	15X68Z	15X68Z
12	Engine Bolt	20103	20103
13	Blade	20045	20045
14	Blade Washer	17X137	17X137
15	Washer	17X124	17X124
16	Hex Bolt	1X68	1X68
17	Blade Adapter	42734	42734
18	Push-on Cap	28X42	28X42
19	Pivot Pin	22326Z	22326Z
20	Chute Deflector	42919	42919
21	Torsional Spring	166X5	166X5
22	Screw	26X219	26X219
23	Rear Guard	42250	42250
25	Engine Stop Lever	42763C	42763C
26	Handle Upper	42937C	42937C
27	Nut	15X84	15X84
28	Bolt Handle	3X136Z	3X136Z
29	Handle Lower	42893C	42893C
30	"U" Bolt	42896Z	42896Z
31	Nut	15X66	15X66
32	Cable Retainer	42950	42950
33	Engine Stop Cable	42569	42940
35	Handle Stop	42765C	42765C
36	Screw	26X220	26X220
37	Hex Bolt	1X85	1X85
	Parts Bag	42799	42959
	Owners Manual	F-7438	F-7437
	Grass Catcher (Not Shown)	6-24065	6-24065

6-20291x20A
~~6-20291x20A~~

SUB
 42234PA
 42066
 1x72
 F-7737

PART NAME
 Engine
 Blade Adaptor
 Blade Bolt
 Flyer

STANDARD
 42232
 42734
 1x68