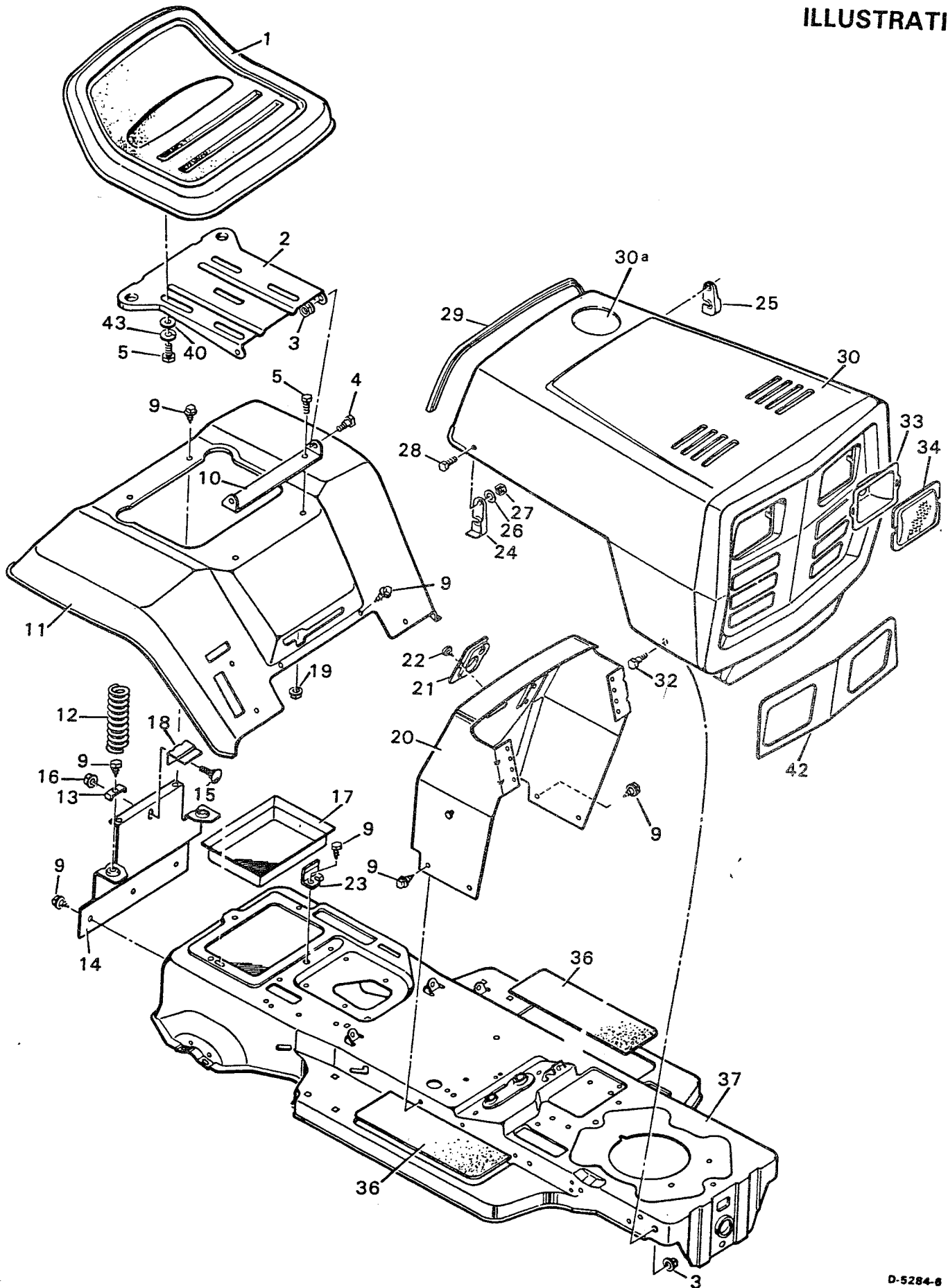


5-40701

BODY PARTS
ILLUSTRATION



REPLACEMENT PARTS

5-40701

BODY PARTS

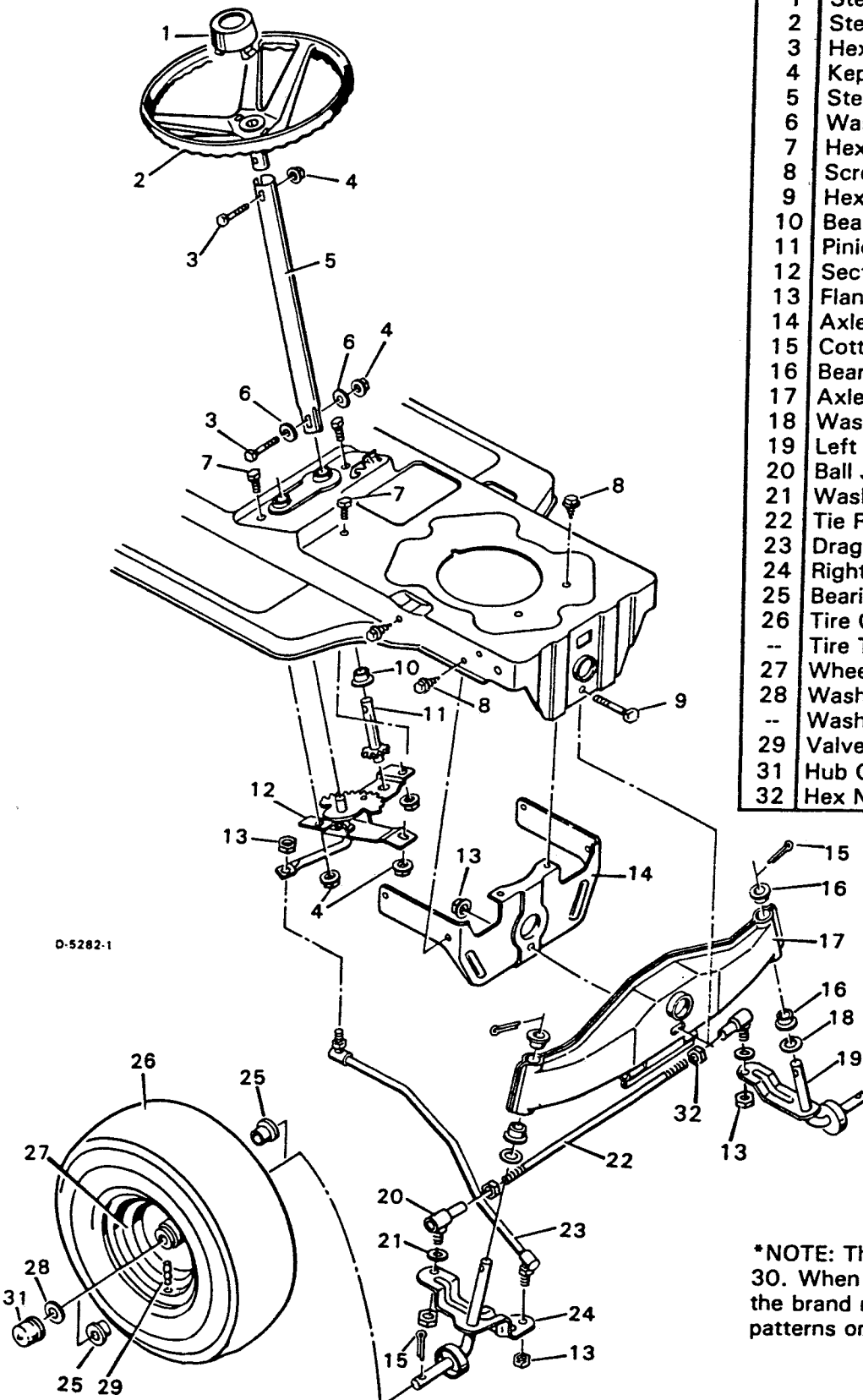
KEY NO.	DESCRIPTION	PART NO.
1	Seat	90368
2	Seat Support	90032
3	Flange Locknut 3/8"-16	15X84
4	Shoulder Bolt 3/8"-16X7/8"	9X15
5	Hex Bolt 5/16"-18X5/8"	1X45
9	Screw	26X49
10	Seat Pivot Bracket	90031
11	Seat Deck	90186
12	Spring	164X17
13	Spring Retainer	90014
14	Seat Deck Support	90633
15	Carriage Bolt	2X53
16	Keps Nut 5/16" 18	15X76
17	Battery Tray	24157
18	Battery Clamp	90632Z
19	Flange Locknut 5/16"-18	15X88
20	Dashboard Assembly	90737
21	Bearing - Steering Post	90081
22	Screw	26X186
23	Battery Clip	55149
24	Right Hood Latch*	90464Z
25	Left Hood Latch*	90465Z
26	Washer*	17X17Z
27	Hex Nut No. 10-24*	15X81
28	Machine Screw No. 10-24X1/2"*	4X20Z
29	Edge Trim*	90240
30	Hood & Grille Assembly-Complete No Hole	90471
30a	Hood & Grille Assembly - Complete With Hole	90470
32	Shoulder Bolt 3/8"-16X7/8"	9X14
33	Reflector, Headlight	90009C
34	Lens, Headlight	90082
36	Mat - Foot Rest	90148
37	Frame Channel	90001
40	Washer	17X47Z
42	Headlight Trim	90159C
43	Lock Washer	18X16
	Instruction Book	F-7390
	Parts List	F-7391
	Parts Bag	90724

*NOTE: These numbers are included in with key no. 30.

5-40701

STEERING REPLACEMENT PARTS

KEY NO.	DESCRIPTION	PART NO.
1	Steering Wheel Cap	55367
2	Steering Wheel	55368
3	Hex Bolt 5/16"-18X1 1/2"	1X102
4	Keys Nut	15X88
5	Steering Post	90130C
6	Washer	17X47Z
7	Hex Bolt 5/16"-18X5/8"	1X45
8	Screw	26 X 49
9	Hex Bolt 3/8"-24X3 1/4"	1X101
10	Bearing	90035
11	Pinion Gear & Shaft	90132
12	Sector Gear Assembly	90025
13	Flange Locknut 3/8"-24	15X87
14	Axle Support - Front	90002
15	Cotter Pin	30X49
16	Bearing	90035
17	Axle Assembly	90034
18	Washer	17X113
19	Left Hand Spindle Assembly	90139
20	Ball Joint	21031
21	Washer	17X124
22	Tie Rod	21475
23	Drag Link Assembly	90041
24	Right Hand Spindle Assembly	90138
25	Bearing*	55599
26	Tire Only*	24376
--	Tire Tube *	407047
27	Wheel Only*	24488E
28	Washer-Hub Caps Only	17X115
--	Washer-Without Hub Caps	17X83Z
29	Valve Stem & Cap*	24373
31	Hub Cap-Optional	21662
32	Hex Nut 3/8"-24	15X61



D-5282-1

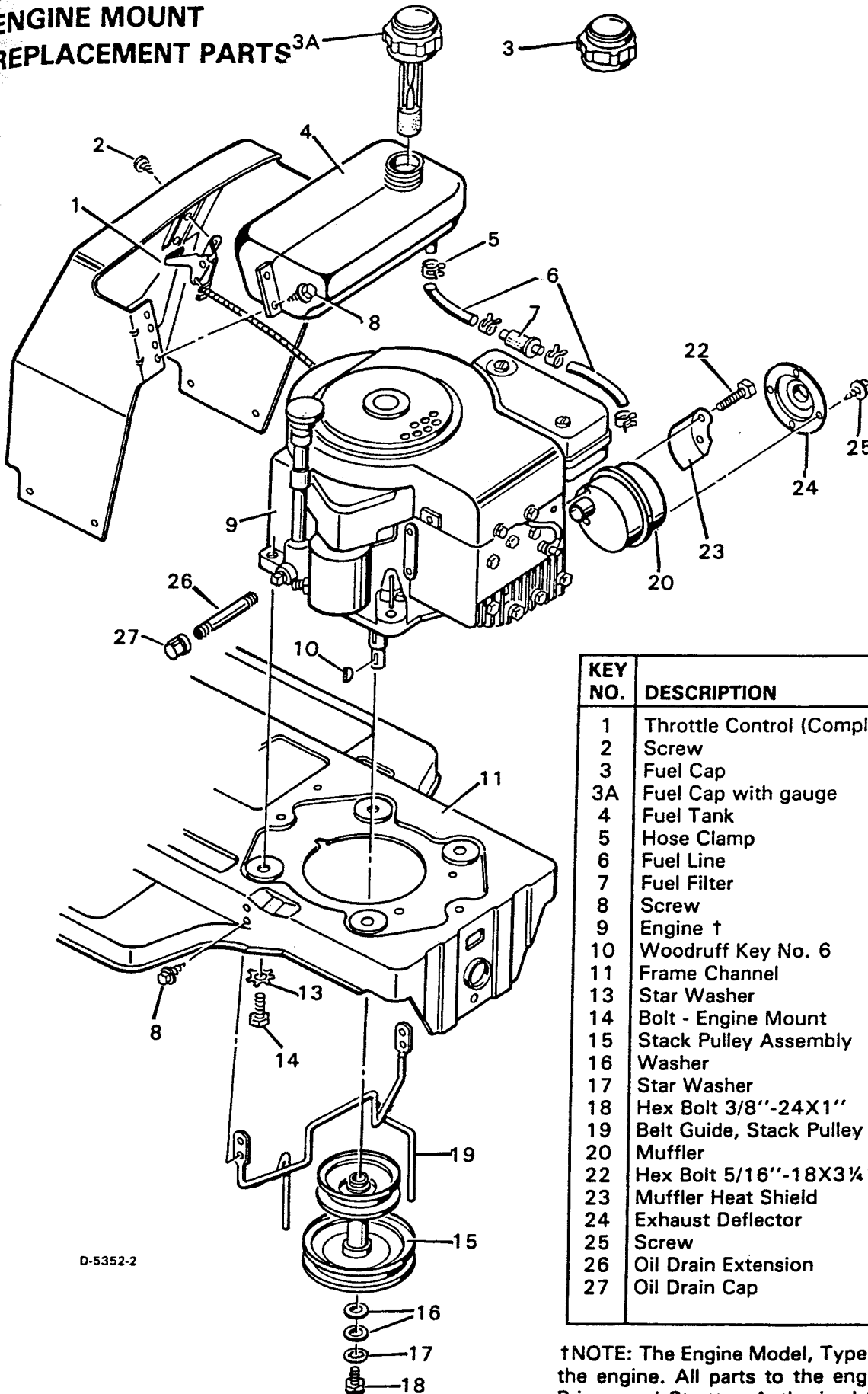
F-7542

D-5292-1

*NOTE: These Parts are included with key no. 30. When ordering replacement parts specify the brand name of the tire to insure that tread patterns on tire match.

**ENGINE MOUNT
REPLACEMENT PARTS**

5-40701



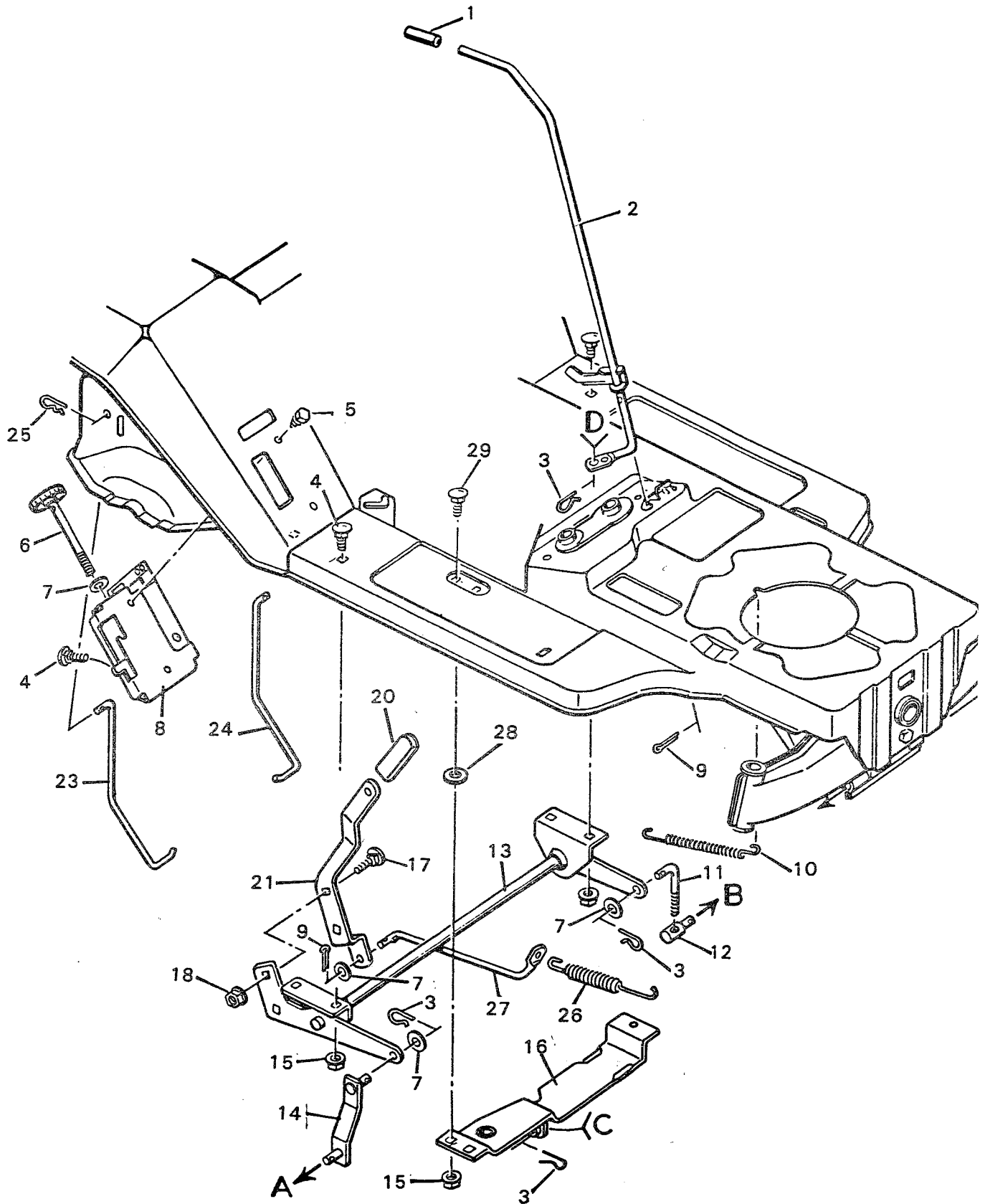
D-5352-2

KEY NO.	DESCRIPTION	PART NO.
1	Throttle Control (Complete)	90728
2	Screw	26X159
3	Fuel Cap	23711
3A	Fuel Cap with gauge	24064
4	Fuel Tank	23300
5	Hose Clamp	23713
6	Fuel Line	90671
7	Fuel Filter	24159
8	Screw	26X214
9	Engine †	-----
10	Woodruff Key No. 6	20062
11	Frame Channel	90001
13	Star Washer	19X8
14	Bolt - Engine Mount	20103
15	Stack Pulley Assembly	90329Z
16	Washer	10851Z
17	Star Washer	19X39
18	Hex Bolt 3/8"-24X1"	1X20
19	Belt Guide, Stack Pulley	90866Z
20	Muffler	90330PA
22	Hex Bolt 5/16"-18X3 1/4"	1X118
23	Muffler Heat Shield	90332
24	Exhaust Deflector	23740Z
25	Screw	26X203
26	Oil Drain Extension	24066
27	Oil Drain Cap	21651

†NOTE: The Engine Model, Type & Code Numbers are on the engine. All parts to the engine are available from a Briggs and Stratton Authorized Service Center. See the yellow pages under, "Engines, Gasoline "or" Gasoline Engines" in the telephone directory.

5-40701

BLADE HOUSING SUSPENS
REPLACEMENT PAI



**BLADE HOUSING SUSPENSION
REPLACEMENT PARTS**

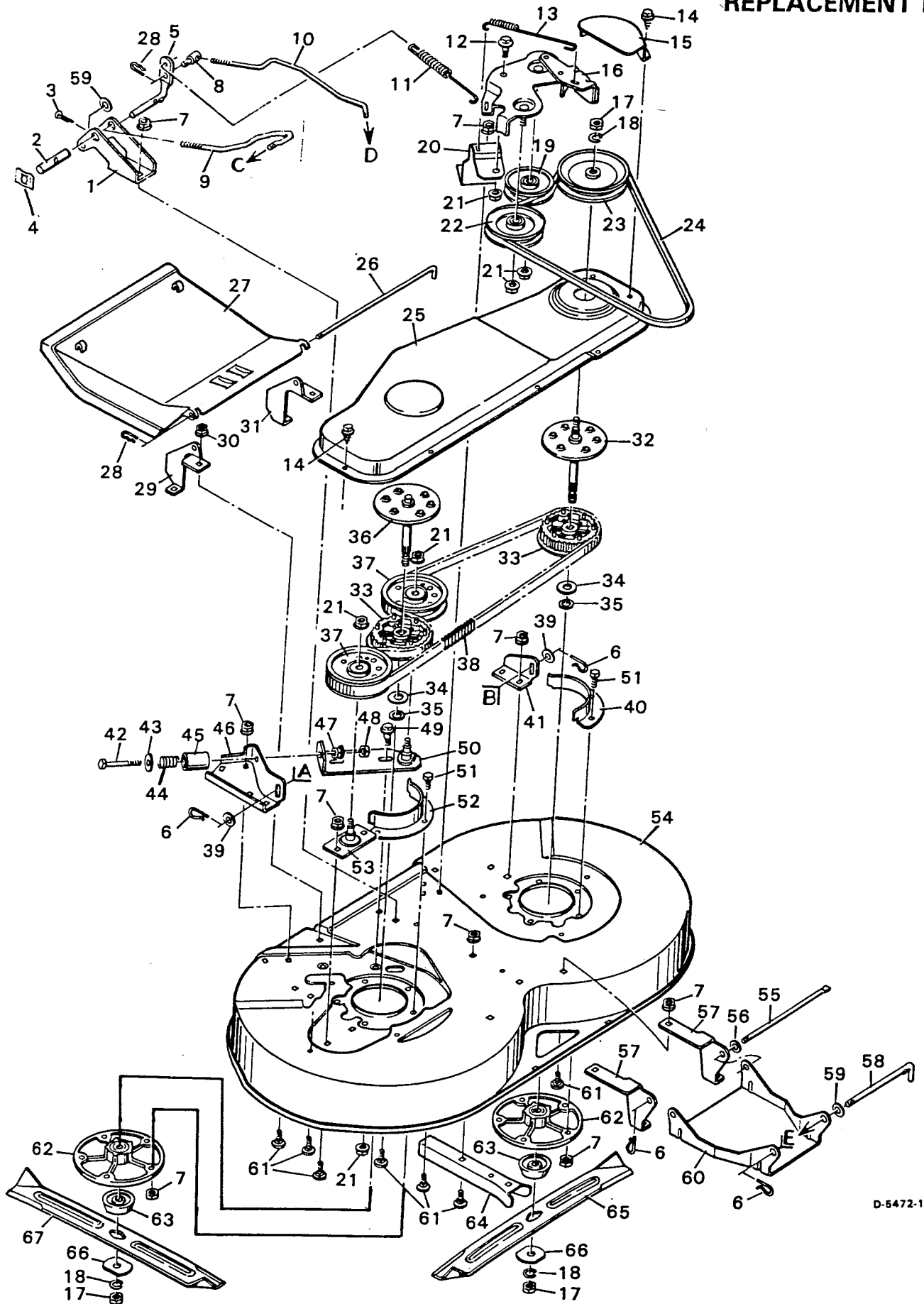
5-40701

KEY NO.	DESCRIPTION	PART NO.
1	Grip, Blade Engagement Control	20476
2	Lever, Blade Engagement Control	90030Z
3	Hair Pin (*)	75336
4	Carriage Bolt	2X64
5	Screw	26X49
6	Adjuster Screw Assembly	90078Z
7	Washer (*)	17X53Z
8	Bracket Assembly, Adjuster	404063
9	Cotter Pin	30X20
10	Spring, Blade Engagement Control (*)	165X32
11	Rod, Adjuster (*)	23704Z
12	Nut, Adjustable (*)	21920
13	Lifter Assembly	90825
14	Link Assembly (*)	90754Z
15	Hex Nut 5/16"-18	15X79
16	Support, Channel	90537
17	Carriage Bolt	2X57
18	Locknut 3/8"-16	15X84
20	Grip, Lifter Handle	23340
21	Handle, Lifter	90801E
23	Rod, Chute-R.H. (*)	90888Z
24	Rod, Chute-L.H. (*)	90889Z
25	Hair Pin (*)	20692
26	Spring, Lifter Extension	165X60
27	Rod	90797Z
28	Washer	10851Z
29	Carriage Bolt	2X72

NOTE: Parts that have an asterisk (*) in the description are included with the complete blade housing. See page 45.

5-40701

BLADE HOUSING
REPLACEMENT PART



D-5472-1

F-7542

212

**BLADE HOUSING
REPLACEMENT PARTS**
5-40701

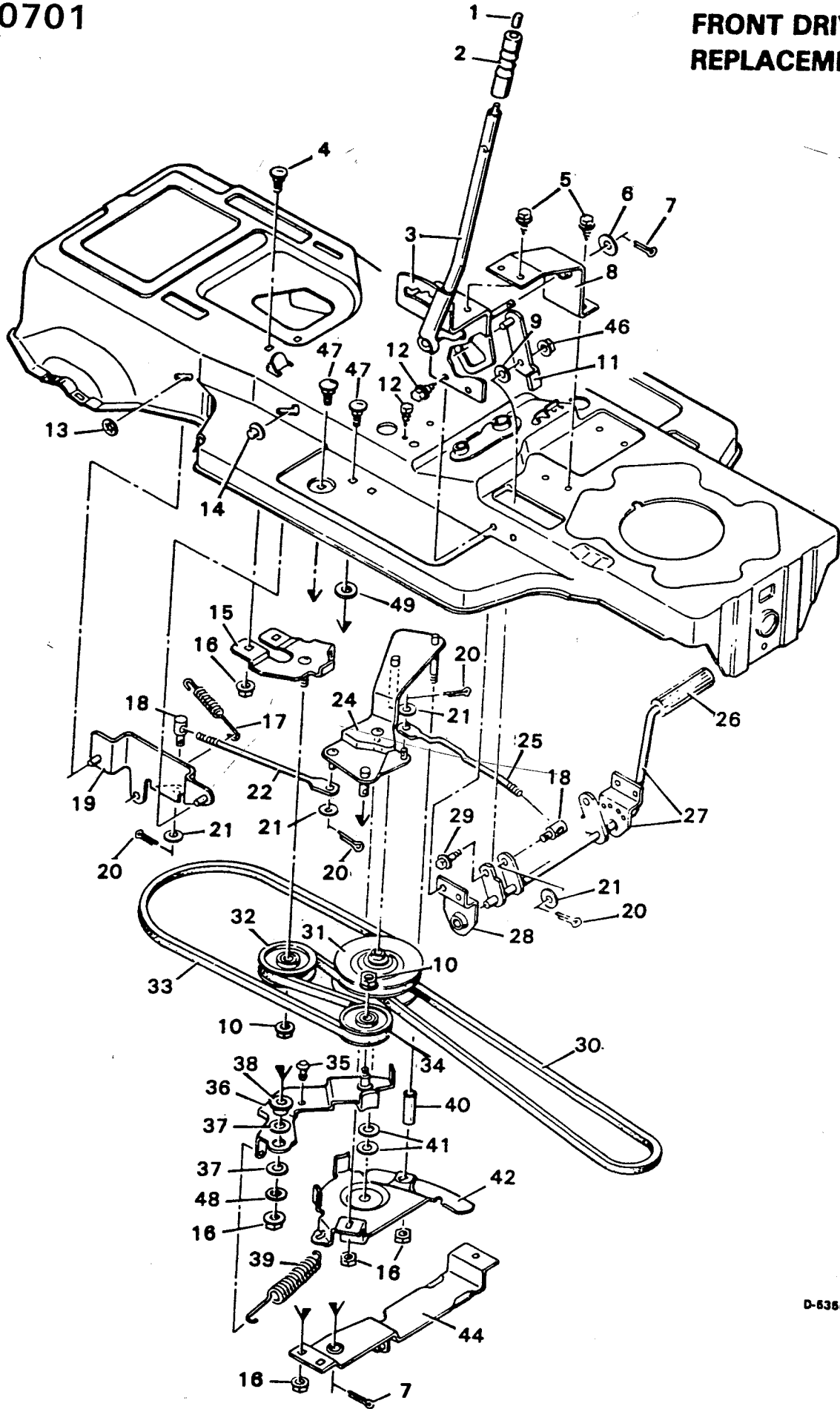
KEY NO.	DESCRIPTION	PART NO.	KEY NO.	DESCRIPTION	PART NO.
1	Bracket, Rear Hanger (*)	90881	36	Shaft Assembly, Right Spline	90883
2	Adjusting Bar	90109	37	Pulley, Flat Idler	90865
3	Cotter Pin	30X20	38	Belt, 8mm HTD Cross Drive	37X54
4	Push Nut	28X54	39	Washer	17X53Z
5	Lever, Deck Pivot	90339Z	40	Guide, Left Belt	90893Z
6	Hair Pin	75336	41	Bracket, Lifter (*)	90103
7	Hex Nut 5/16''-18 (*)	15X79Z	42	Hex Bolt 3/8''-16X4''	1X123
8	Adjustable Nut	21920	43	Washer	17X158
9	Rod, Link	90544Z	44	Spring, Compression	164X18
10	Rod, Control	90885Z	45	Absorber	90895
11	Spring, Extension	165X63	46	Bracket, Idler & Deck Lift (*)	90894
12	Shoulder Bolt	9X12	47	Jam Nut 3/8''-16	15X73
13	Spring, Extension	165X61	48	Locknut, Flange 3/8''-16	15X68
14	Screw	26X214	49	Shoulder Bolt	9X14
15	Guard, Pulley	90858	50	Bracket Assembly, Idler	90880Z
16	Brake Assembly, Idler and	90887	51	Hex Bolt 5/16''-18X1''	1X84
17	Locknut 9/16''-18	15X101	52	Guide, Right Belt	90892Z
18	Lockwasher	18X33	53	Bracket Assembly, Idler (*)	90879
19	Pulley, Idler	23238	54	Blade Housing-See Note Below	90896
20	Bracket, Idler Support (*)	90859	55	Hanger Rod	90107Z
21	Locknut 3/8''-16	15X84	56	Washer	17X57Z
22	Pulley, V-Idler	90315	57	Bracket, Front Hanger (*)	90854
23	Pulley	90872	58	Pin, Pull	90827Z
24	Belt, Blade Drive	37X40	59	Washer	17X122Z
25	Cover, Blade Drive	90856	60	Front Hanger	90106
26	Pin, Deflector Pivot	90862Z	61	Carriage Bolt (*)	2X53Z
27	Deflector	90857	62	Mandrell Housing	24384
28	Hair Pin	20692	63	Adapter, Blade	90891
29	Bracket, Right Chute (*)	90863	64	Baffle, Center (*)	90868
30	Locknut 5/16''-18 (*)	15X88	65	Blade, Left	90877
31	Bracket, Left Chute (*)	90864	66	Washer	20663Z
32	Shaft Assembly, Left Spline	90882	67	Blade, Right	90878
33	Sprocket, HTD	90875	--	Blade Housing-complete (†)	403205
34	Washer	17X157			
35	Washer	17X149			

* NOTE: Parts that have an asterisk (*) in the description are included with key number 54.

† NOTE: The blade housing complete includes this page and the parts that are indicated with an asterisk on page 43

5-40701

**FRONT DRIVE
REPLACEMENT PARTS**



D-6386-4

FRONT DRIVE
REPLACEMENT PARTS

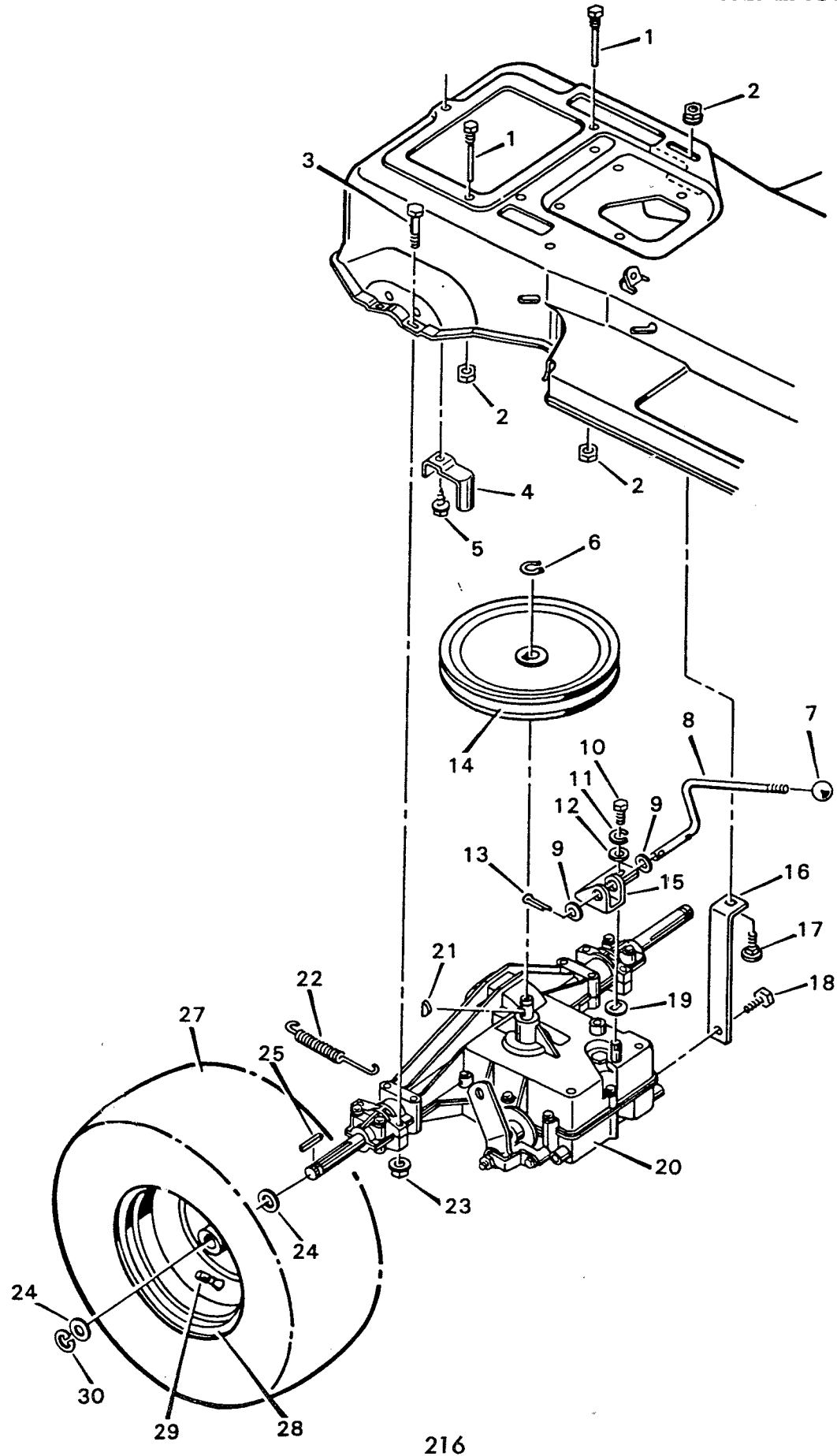
5-40701

KEY NO.	DESCRIPTION	PART NO.
1	Push Button	90556
2	Grip, Speed Selector	90504
3	Speed Selector Assembly	90522
4	Carriage Bolt 5/16" 18X5/8"	2X64
5	Screw	26X49
6	Washer	17X87Z
7	Cotter Pin	30X49
8	Support Bracket, Speed Selector	90519
9	Washer	17X90
10	Flange Locknut 3/8" 16	15X84
11	Speed Selector Link Assembly	90529
12	Screw	26X197
13	Push Nut	28X44
14	Retainer Cap	28X48
15	Idler Bracket Assembly	90705
16	Flange Nut 5/16" 18	15X79
17	Extension Spring, Brake	165X45
18	Adjustable Nut	21920
19	Brake Plate Assembly	90527
20	Cotter Pin	30X20
21	Washer	17X53Z
22	Link Rod, Brake	90538Z
24	Upper Support Assembly	90543
25	Link Rod, Clutch/Brake	90525Z
26	Clutch/Brake Pedal	21544
27	Pedal Lever Assembly	90532
28	Support Bracket	90013
29	Shoulder Bolt	9X8
30	Belt, Primary Drive*	400285
31	Variator Pulley Assembly	90564
32	Idler Pulley	21409
33	Belt, Secondary Drive*	400285
34	Idler Pulley	20613
35	Slide Button	90506
36	Idler Bracket Assembly	90534Z
37	Thrust Washer	17X142
38	Spacer, Idler Bracket	90508
39	Extension Spring	165X44
40	Spacer, Variator Support	121X74Z
41	Thrust Washer	17X139
42	Lower Variator Support	90540
44	Pivot Support Assembly	90537
46	Flange Locknut 5/16" 18	15X88
47	Carriage Bolt 5/16" 18X1"	2X72
48	Washer	17X146Z
49	Washer	10851Z
	Grease, Variator	407061

* Note: Both belts are included when ordering key no. 30. Both belts must be replaced even if only one belt is damaged.

5-40701

REAR DRIV
REPLACEMENT PART



D-5411-1

F-7542

216

**REAR DRIVE
REPLACEMENT PARTS**
5-40701

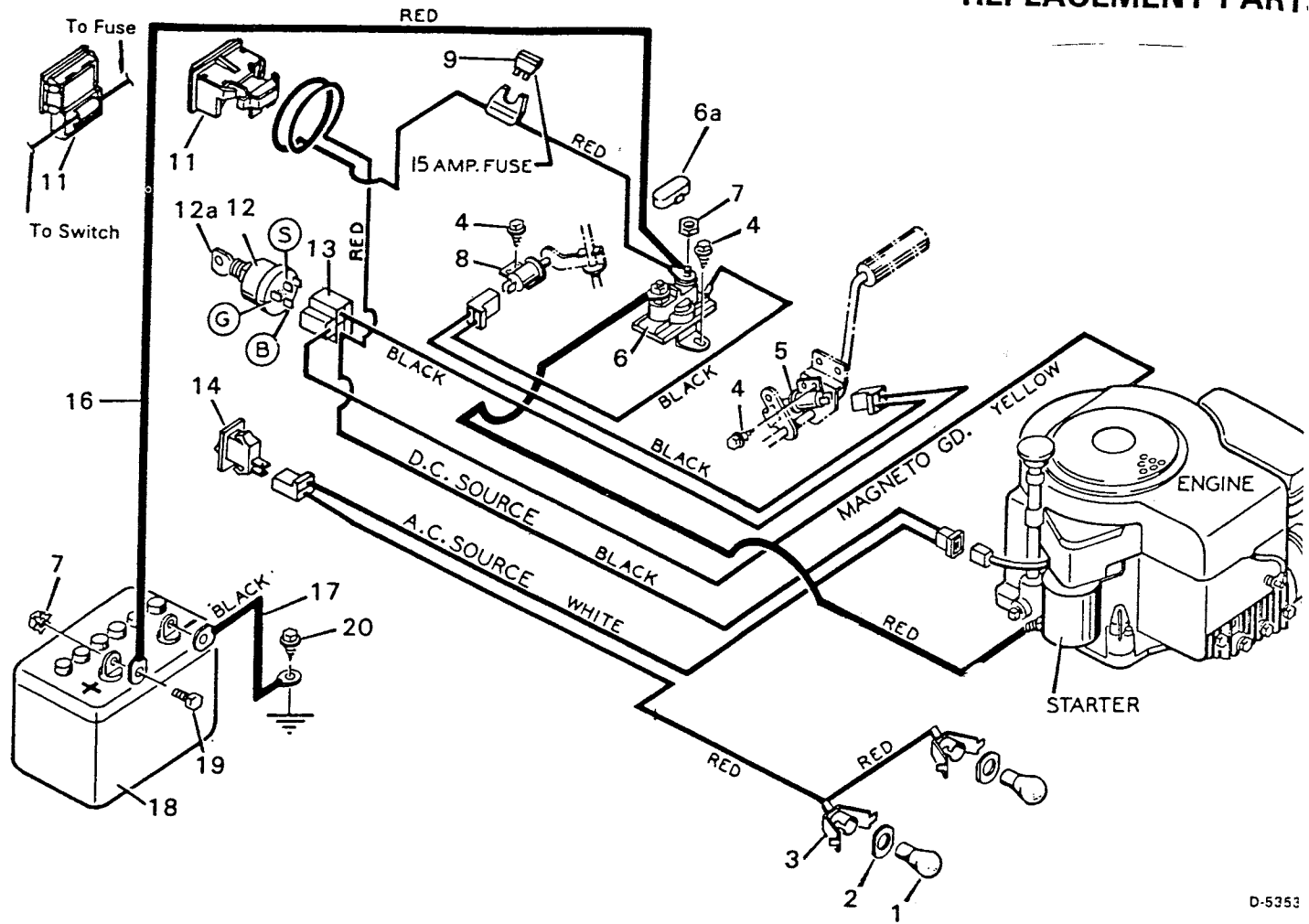
KEY NO.	DESCRIPTION	PART NO.
1	Bolt, Belt Guide	20619
2	Flange Nut 5/16"-18	15X79Z
3	Hex Bolt 5/16"-18X1 7/8"	1X98
4	Belt Guide	90693
5	Screw	26X49
6	Retainer Ring	11X7
7	Knob, Shift Lever	20739
8	Shift Lever	90670Z
9	Washer	17X102Z
10	Hex Bolt 1/4"-28X1/2"	1X82
11	Lockwasher	18X32
12	Washer	17X32Z
13	Cotter Pin	30X20
14	Input Pulley, Drive	90706
15	Shifter Yoke	90669
16	Support, Transaxle	90687Z
17	Carriage Bolt 5/16"-18X3/4"	2X53Z
18	Screw	26X207
19	Washer	17X134
20	Transaxle† Peerless Model No. 900-008	-----
21	Woodruff Key No. 9	20697
22	Spring, Brake	165X34
23	Flange Locknut 5/16"-18	15X88
24	Transaxle Washer	21521
25	Square Key 3/16"X2"	21553
27	Tire Only	90807
--	Inner Tube*	407049
28	Wheel Only*	24351E
29	Valve Stem and Cap*	24373
30	E-Ring	11X3

NOTE: For replacement parts always give the name on the side of the tire so that the tire tread pattern will be the same.

†NOTE: Replacement parts for the transaxle are available from a Tecumseh Authorized Service Center. See the yellow pages under, "Engines, Gasoline "or" gasoline Engines" in the telephone directory.

5-40701

WIRING DIAGRAM
REPLACEMENT PART



D-5353

KEY NO.	DESCRIPTION	PART NO.
1	Headlight Bulb	90084
2	Washer, Light Socket	90228
3	Socket Assembly	90155
4	Screw	26X233
5	Limit Switch, Clutch	21549
6	Solenoid	24285
6a	Cover, Solenoid	90565
7	Keps Nut 1/4" 20	15X66
8	Limit Switch, Blade Control Lever	24273
9	Fuse	54212
11	Ammeter Assembly	90729
12	Ignition Switch and Key	21064PA
12a	Key and Ring (Only)	20729
13	Wiring Harness	90748
14	Light Switch	90647
16	Battery Cable (Red)	24X18
17	Battery Cable (Black)	24X9
18	Battery 30 AMP Hour	21075
	Electrolyte (Battery Acid)	90665
18a	Battery Caps	400262
19	Hex Bolt 1/4" 20X5/8"	1X38
20	Screw	26X49
--	Tie Strap, Wiring Harness	32618