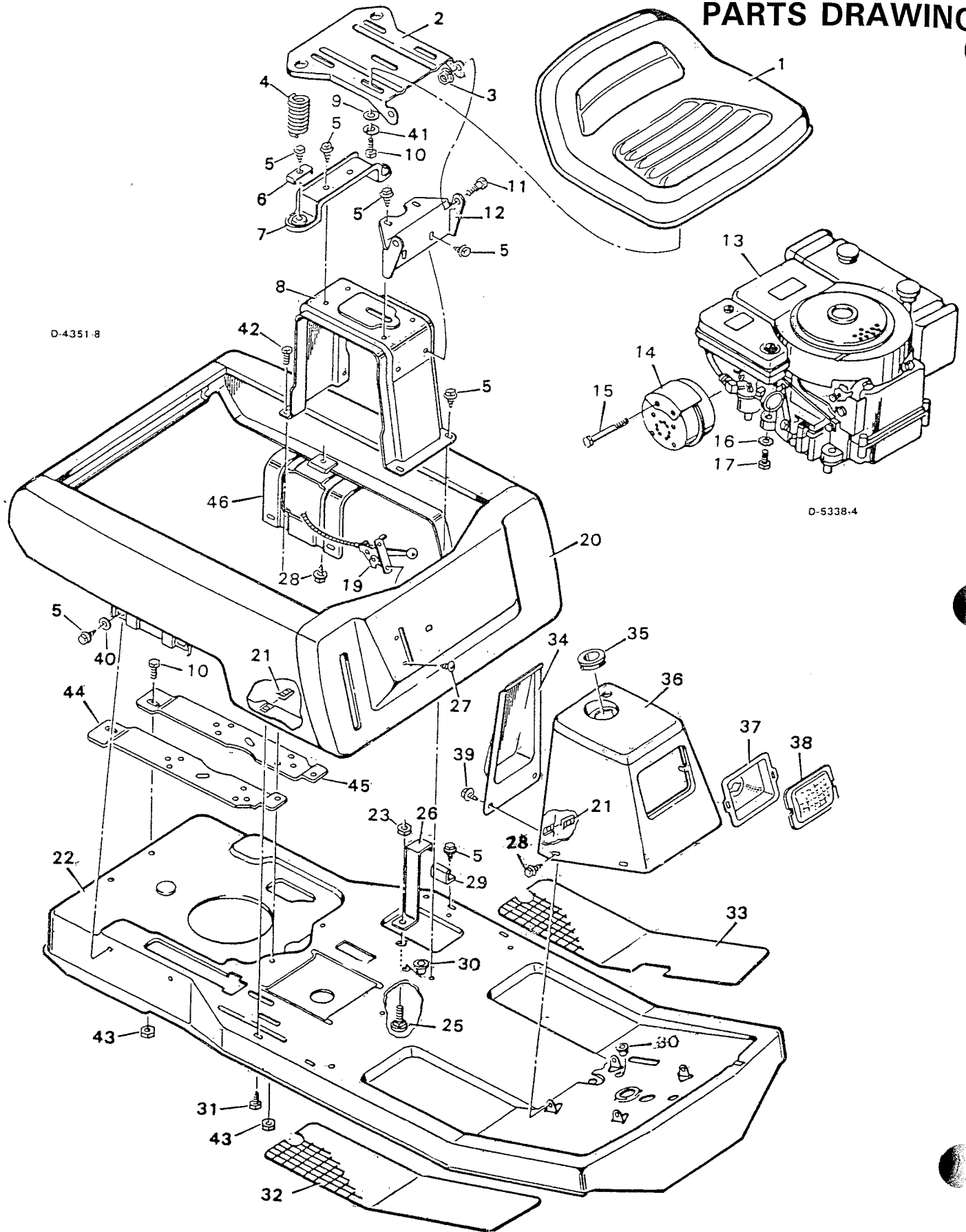


MODEL 5-30502

BODY REPLACEMENT PARTS DRAWING



BODY REPLACEMENT PARTS LIST**MODEL 5-30502**

KEY NO.	DESCRIPTION	PART NO.
1	Seat	90368
2	Seat Mount	55098
3	Flange Locknut 3/8"-16	15X84
4	Seat Spring	164X17
5	Screw	26X49
6	Spring Retainer	90014
7	Spring Hanger	55062
8	Seat Support	55060
9	Washer	17X47Z
10	Hex Bolt 5/16"-18X5/8"	1X45
11	Shoulder Bolt 3/8"-16X7/8"	9X15
12	Seat Hinge	55061
13	Engine	†
14	Muffler	90331PA
15	Hex Bolt 1/4"-20X3-1/4"	1X117
16	Shakeproof Washer	19X8
17	Bolt - Engine Mount	20103
19	Control & Cable	55330PA
20	Rear Body Assembly, with light	55005
	Rear Body Assembly, without light	55008
21	Tinnerman Nut 1/4"-20	28X18
22	Frame Channel	55197
23	Keps Nut 1/4"-20**	15X66
25	Carriage Bolt**	2X67
26	Battery Clamp**	55210Z 400265
27	Tapping Screw	26X159
28	Tapping Screw	26X214
29	Battery Clip	55149Z
30	Bushing	55176
31	Hex Bolt 1/4"-20X5/8"	6X74
32	Mat-Running Board (R.H.)	55102
33	Mat-Running Board (L.H.)	55103
34	Console Plate	55023
35	Bearing - Steering Post	55004
36	Console Assembly, with light	55019
	Console Assembly, without light	55018
37	Reflector*	90009C
38	Lens*	90082
39	Machine Screw 1/4-20X1/2"	4X24
40	Washer	19X6
41	Lockwasher	18X16
43	Flange Locknut	15X88
44	Right Engine Strap	55205
45	Left Engine Strap	55206
46	Rear Body Support	55017Z
	Parts Bag	55373
	Instruction Book	F-7642
	Parts List	F-7643

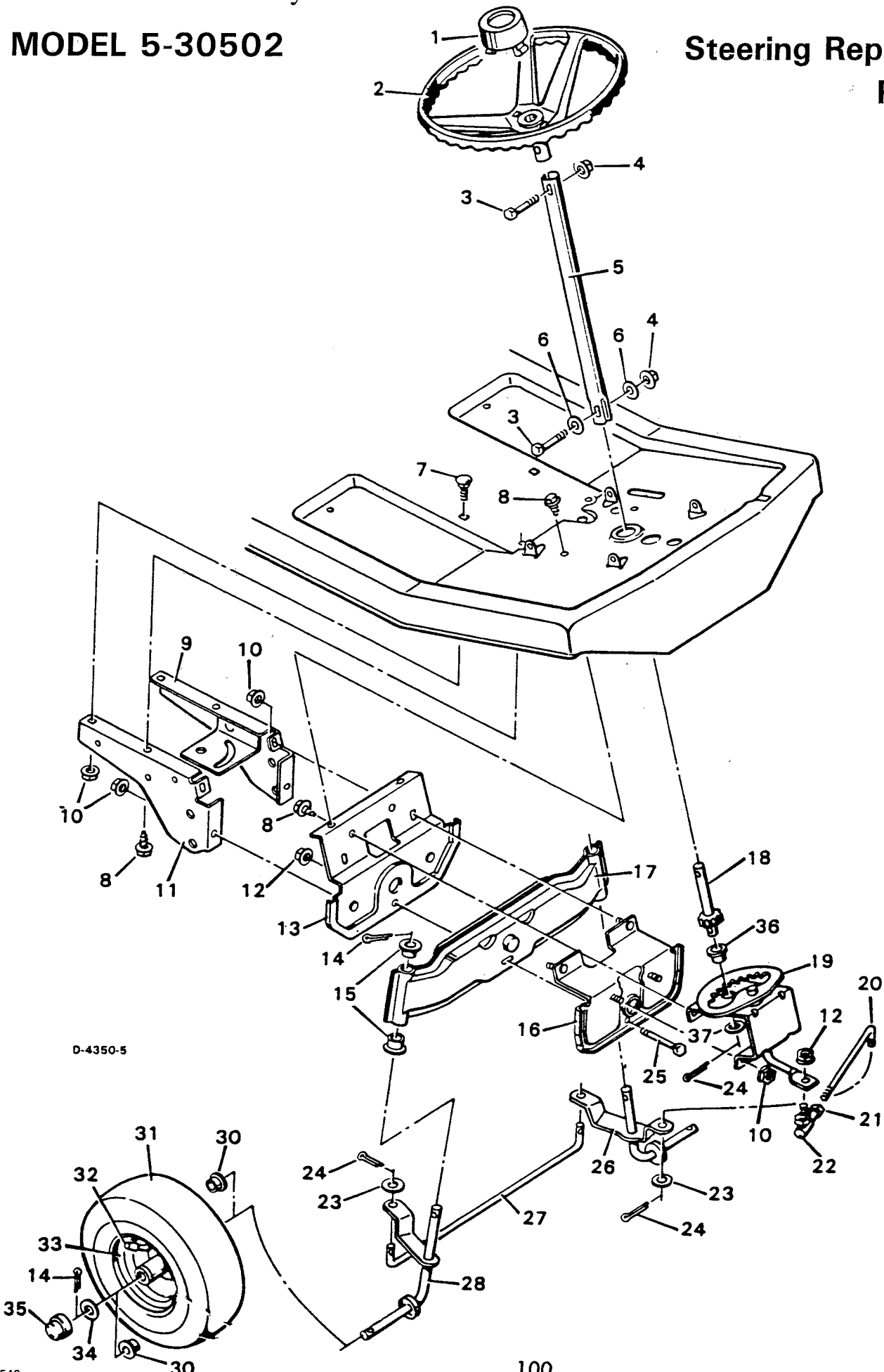
†NOTE: Your Engine Model, Type & Code Number is stamped on the Blower Housing. All parts pertaining to the engine are available from the Briggs and Stratton Parts and Service Station listed in the yellow pages of the classified Telephone Directory.

*Not used on Models without light.

**NOTE: These parts are not needed on recoil start Models.

MODEL 5-30502

Steering Replacement Parts List



Steering Replacement Parts Lists

MODEL 5-30502

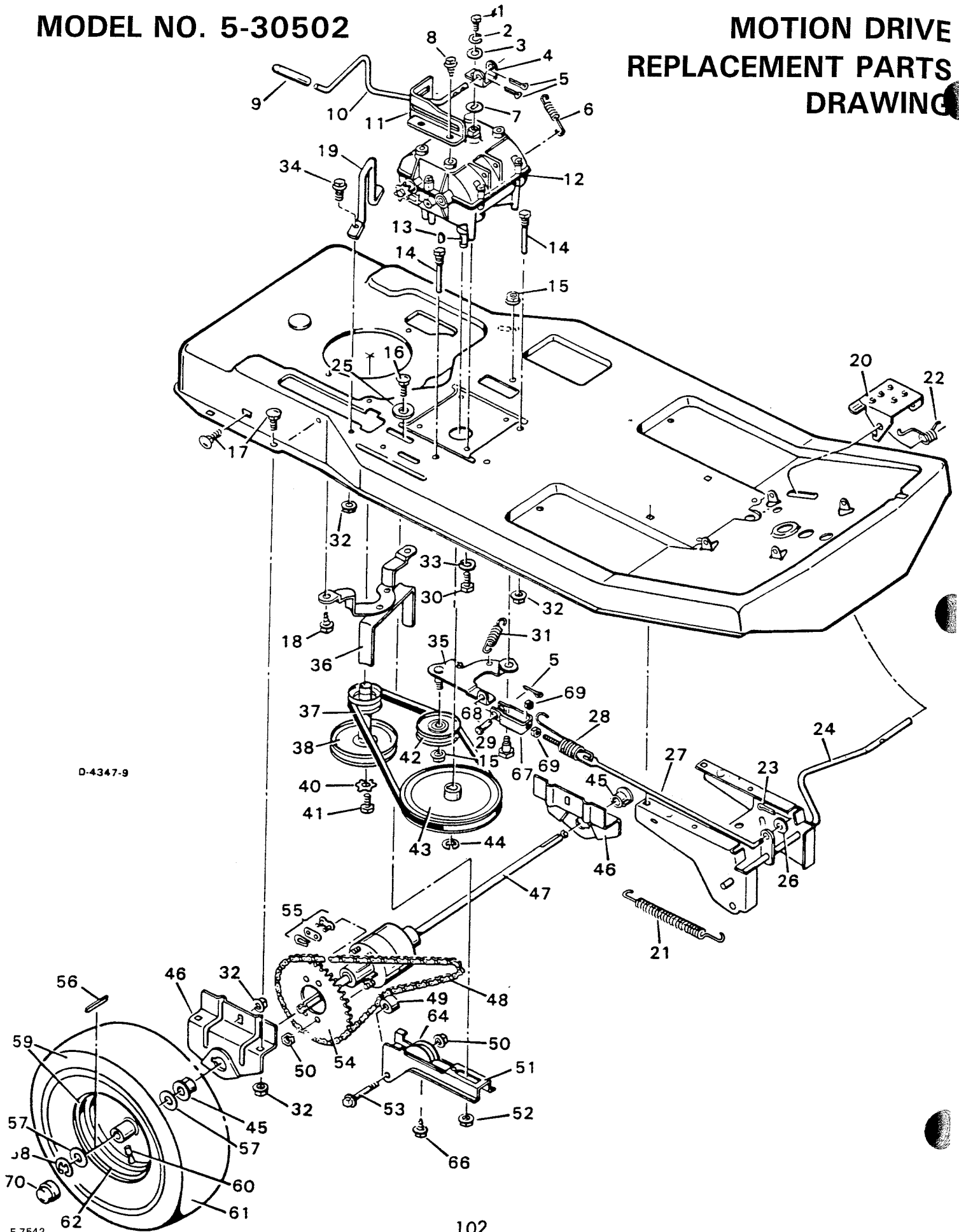
KEY NO.	DESCRIPTION	PART NO.
1	Cap-Steering Wheel	55367
2	Steering Wheel	55368
3	Hex Bolt 5/16''-18X1-1/2''	1X102
4	Flange Locknut 5/16''-13	15X88
5	Steering Post	90130C
6	Washer	17X47Z
7	Carriage Bolt 5/16''-18X5/8''	2X53
8	Tapping Screw	26X49
9	Left Suspension Plate	55384
10	Flange Hex Nut	15X79
11	Right Suspension Plate	55352
12	Flange Locknut 3/8''-24	15X87
13	Front Axle Support Assembly	55056
14	Cotter Pin	30X49
15	Spindle Bearing	55003
16	Front Axle Hanger Assembly	55655
17	Front Axle Assembly	55024
18	Pinion Gear	55001
19	Sector Assembly	55041
20	Drag Link	55046
21	Hex Nut 3/8''-24	15X61
22	Steering Ball Joint	21031
23	Washer	17X53
24	Cotter Pin	30X20
25	Hex Bolt 3/8''-24X2-3/8''	1X69
26	Left Spindle Assembly	55039
27	Tie Rod	55026
28	Right Spindle Assembly	55038
30	Bearing*	55598
31	Tire Only*	24394
32	Valve Stem & Cap*	24373
33	Wheel Only*	24364E
34	Washer	24583
35	Hub Cap	24582
36	Bearing	55168
37	Washer	17X100Z

Wheel & Tire Assy 24395

*NOTE: When ordering replacement parts specify the brand name of the tire to insure that tread patterns on tire match.

MODEL NO. 5-30502

**MOTION DRIVE
REPLACEMENT PARTS
DRAWING**



D-4347-9

F-7542

MOTION DRIVE REPLACEMENT PARTS LIST

MODEL NO. 5-30502

KEY NO.	DESCRIPTION	PART NO.	KEY NO.	DESCRIPTION	PART NO.
1	Hex Bolt 1/4''-20X5/8''	1X82	36	Belt Guide Assembly	55281Z
2	Spring Lockwasher	18X32	37	Traction Drive Belt	37X38
3	Washer	17X32Z	38	Stack Pulley Assembly	55437Z
4	Transmission Yoke	24834Z	40	Shakeproof Washer	19X35
5	Cotter Pin	30X20	41	Hex Bolt 7/16''-20X1''	1X80
6	Extension Spring-Brake Return	165X28	42	Idler Pulley	20613
7	Washer	17X134	43	Pulley Transmission	55101
8	Tapping Screw	26X207	44	Retainer Ring	11X7
9	Grip	55321	45	Axle Rearing Flange	55597
10	Shift Lever	55480Z	46	Bracket, Rear Axle	55065
11	Transmission Gate	55263Z	47	Differential-Peerless 100	† 100-015
12	Transmission-Peerless 708B	†	48	Roller Chain	55115
13	Woodruff Key #9	20697	49	Roller**	90176
14	Guide Screw	20619	50	Flange Locknut 5/16''-18**	15X88
15	Flange Locknut 3/8''-16	15X84	51	Chain Adjusting Bracket	55194
16	Carriage Bolt 3/8''-16X3/4''	2X56	52	Flange Hex Nut 3/8''-16	15X68Z
17	Carriage Bolt 5/16''-18X5/8''	2X53Z	53	Shoulder Bolt 5/16''-18X1.72**	9X22
18	Tapping Screw	26X49	54	Sprocket-50 Tooth	90188
19	Chain Clamp	23553Z	55	Connecting Link	20730
20	Pedal-Brake/Clutch	55395	56	Square Key 3/16''	21553
21	Extension Spring - Pedal	165X58	*57	Washer #	21521
22	Torsional Spring-Pedal	166X18	*58	E-Ring	11X3
23	Cotter Pin	30X49	60	Valve Stem & Cap*	24373
24	Lever Assembly-Brake/Clutch	55247	61	Tire Only*	24393
25	Washer	17X67Z	62	Wheel Only*	24391E
26	Washer	17X47Z	64	Guide Block**	23403
27	Rod, Brake/Clutch	55220Z	66	Tapping Screw**	26X214
28	Extension Spring-Brake Unit	165X42	67	Clevis	21915Z
29	Shoulder Bolt 3/8''-16X7/8''	9X15	68	Clevis Pin	29X99
30	Hex Bolt 5/16''-18X3/4''	1X91	69	Hex Nut	15X2
31	Extension Spring-Clutch Unit	165X39	70	Hub Caps	24582
32	Flange Hex Nut 5/16''-18	15X79			
33	Lockwasher	18X15			
34	Hex Bolt 5/16''-18X5/8''	1X45			
35	Idler Arm Assembly	55067Z	59	Wheel & Tire	24392

†NOTE: All parts pertaining to this Transmission or Differential are available from Tecumseh Parts and Service Centers listed in the yellow pages of the telephone directory under "Engines, Gasoline" or "Gasoline Engines."

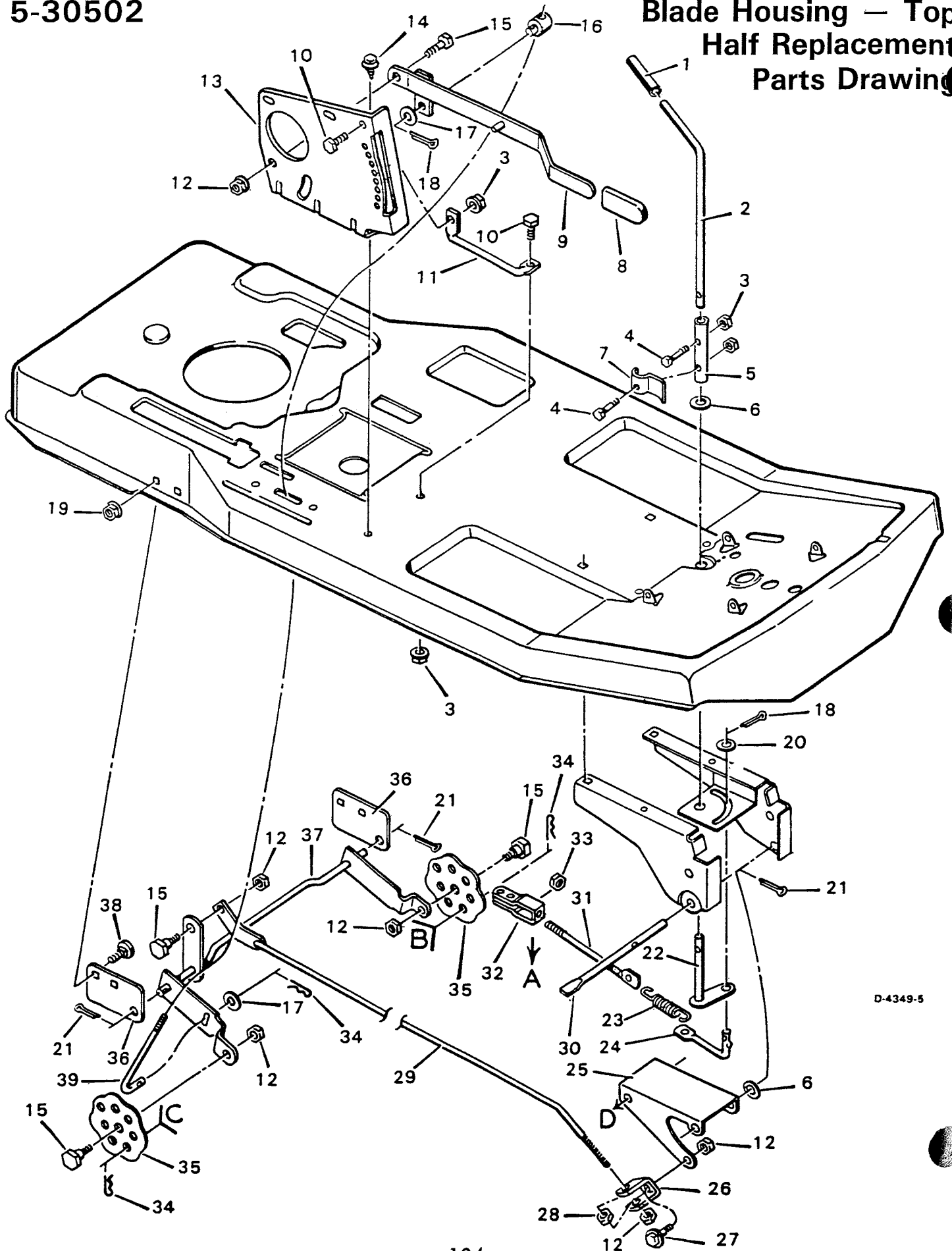
*NOTE: When ordering replacement parts specify the brand name of the tire to insure that thread patterns on tire match.

**NOTE: These key numbers are included with key no. 51.

#NOTE: Use washers 17X115 on outside of wheels if hub caps are used.

5-30502

Blade Housing — Top Half Replacement Parts Drawing



D-4349-5

Blade Housing — Top Half Replacement Parts List

5-30502

KEY NO.	DESCRIPTION	PART NO.
1	Grip, Blade Control Lever	20476
2	Lever, Blade Control	55391Z
3	Locknut, Flange 1/4''-20	15X89
4	Bolt, Hex 1/4''-20	1X76
5	Tube, Blade Lever	55088
6	Washer	17X67Z
7	Bracket, Switch	55347
8	Grip, Lifter	21249
9	Lever Assembly, Letter	55356
10	Bolt, Hex 1/4''-20X5/8''	1X38
11	Strut	55348
12	Locknut, Flange 3/8''-16	15X84
13	Plate, Index	55365
14	Screw	26X49
15	Bolt, Shoulder 3/8''-16	9X9
16	Nut, Adjuster	21920
17	Washer	17X53
18	Pin, Cotter	30X20
19	Nut, Hex Flange 5/16''-18	15X79
20	Washer	17X48
21	Pin, Cotter	30X49
22	Rod & Arm Assembly	55357
23	Spring, Extension-Blade Clutch	165X56
24	Link, Deck-Front	55179
25	Bracket, Front Suspension	55139
26	Clevis	55298
27	Bolt, Shoulder 3/8''-16	9X12
28	Nut, Hex Jam 3/8''-16	15X73
29	Rod Assembly	55283
30	Pin, Suspension	55141Z
31	Link, Blade Drive	55271Z
32	Clevis, Adjuster	24471Z
33	Nut, Hex 5/16''-18	15X2
34	Hairpin	75336
35	Plate, Adjuster	55344
36	Plate, Mounting	55270
37	Rod Assembly, Suspension	55346
38	Bolt, Carriage	2X53
39	Rod, Blade Brake	24839

Blade Housing—Bottom Half Replacement Parts List

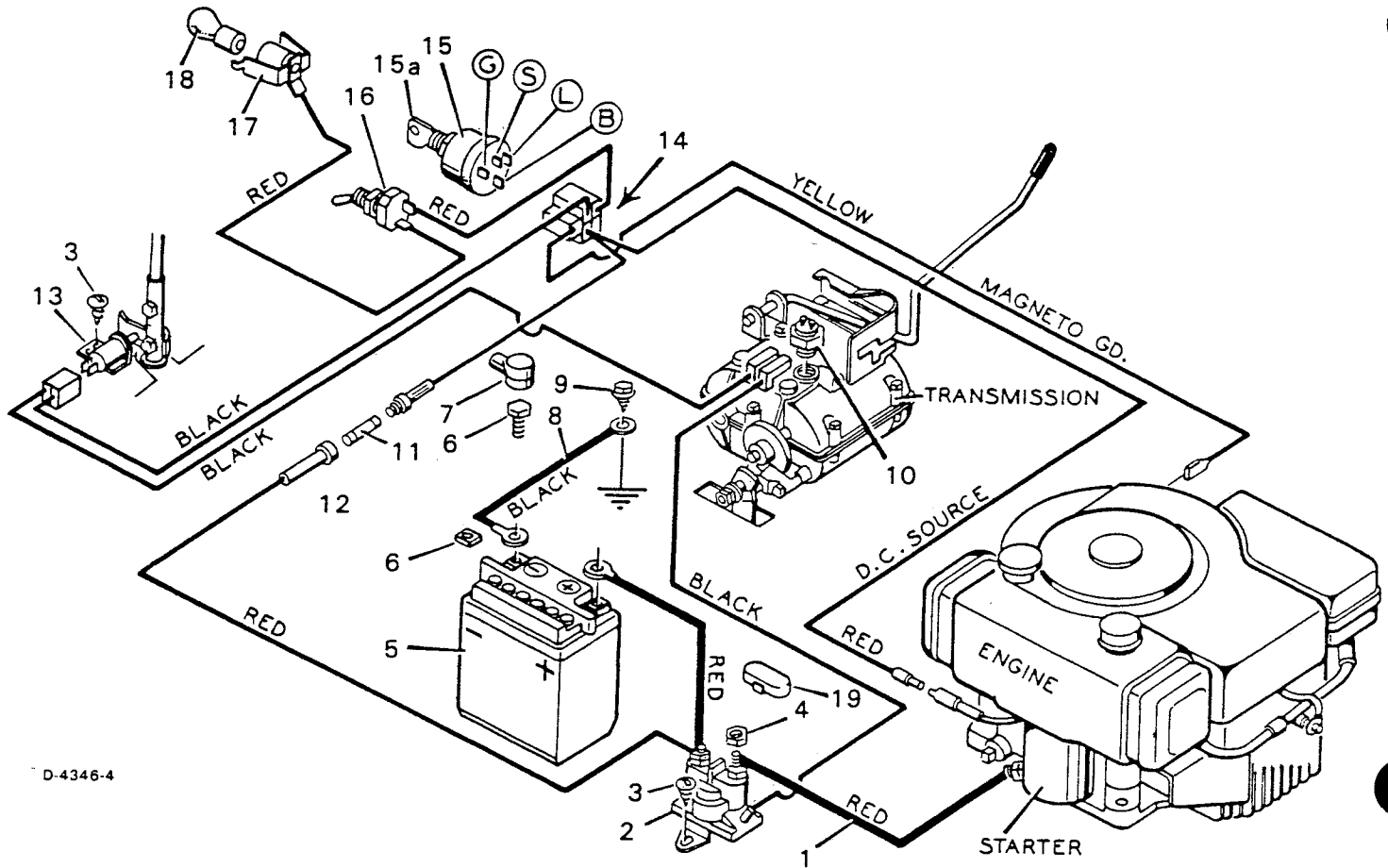
5-30502

KEY NO.	DESCRIPTION	PART NO.
1	Woodruff Key#6	20062
2	Jackshaft	55272
3	Flange Locknut 3/8''-16	15X84
4	Idler Pulley	20613
5	Pulley	90242
6	Belt, Blade Drive	37X50
7	Extension Spring-Blade Brake	165X57
8	Hex Bolt 5/16''-18X5/8''*	1X45
9	Belt Guide	55296Z
11	Blade Idler Assembly	55286
12	Screw	26X49
14	Hair Pin	75336
15	Flange Locknut 5/16''-18	15X88
16	Top Idler Pivot Bracket	55301
17	Strap	55305
18	Lower Idler Pivot Bracket	55297
19	Rear Hanger, Assembly L.H.*	55343
20	Rear Hanger, Assembly R.H.*	55342
21	Flange Hex Nut 5/16''-18*	15X79
22	Jackshaft Spacer	55273Z
23	Blade Housing Assembly w/skids	55375
24	Push On Cap	28X23
25	Deflector Rod	21197Z
26	Front & Rear Deflector Brkt.*	21185
27	Hex Nut #10-24*	15X51
28	Torsional Spring	166X4
29	Machine Screw #10-24X5/8''*	4X21
30	Chute Deflector	24540
31	Carriage Bolt 5/16''-18X5/8''*	2X53
32	Carriage Bolt 1/4''-20X9/16''*	2X39
33	Flange Locknut 1/4''-20*	15X82
34	Skid, R.H.*	90352
35	Skid, L.H.*	90353
36	Pull Pin	55142Z
37	Washer	17X67Z
38	Front Bracket*	55302
39	Flange Locknut 1/4''-20*	15X89
40	Hex Bolt 1/4''-20X5/8''*	1X38
41	Jackshaft Housing Assembly	24384
42	Hex Bolt 5/16''-18X1''	1X84
43	Blade Adapter	54211
44	Washer	24614Z
45	Blade - 30''	24524
46	Washer	21673Z
47	Blade Washer	20663Z
48	Spring Lockwasher	18X27
49	Hex Nut-Blade Mount	15X72
50	Horn Guard*	20581
	Blade Housing Complete	403197
51	Clevis Pin	29X99
52	Pull Pin	55142Z

*NOTE: These key numbers are included with key no. 23.

5-30502

Wiring Diagram & Replacement Parts List For Electric Models



D-4346-4

KEY NO.	DESCRIPTION	PART NO.	KEY NO.	DESCRIPTION	PART NO.
1	Battery Cable	24X12	11	Fuse - 15 AMP	23752
2	Solenoid	24285	12	Fuse Holder	407058
3	Screw	26X233	13	Limit Switch	24273
4	Keps Nut 1/4''-20	15X66	14	Wiring Harness, with light	55185
5	Battery	23581		Wiring Harness, without light	55186
*	Electrolyte-(Battery Acid)	55320	*	Wire Clamp	21980
6	Battery Hardware	402012	15	Key & Switch Assy.	21064PA
7	Battery Boot	24196	15a	Key Only	20729
8	Battery Cable-Ground	24X9	16	Light Switch †	20899PA
9	Screw	26X49	17	Light Sprocket †	90155
10	Transmission Limit Switch	23479	18	Light Bult †	90084
			19	Solenoid Cap	90565
			*	Tie Strap	32618

† Not used on Models without lights.

* Not Illustrated.