



## Body Replacement Parts

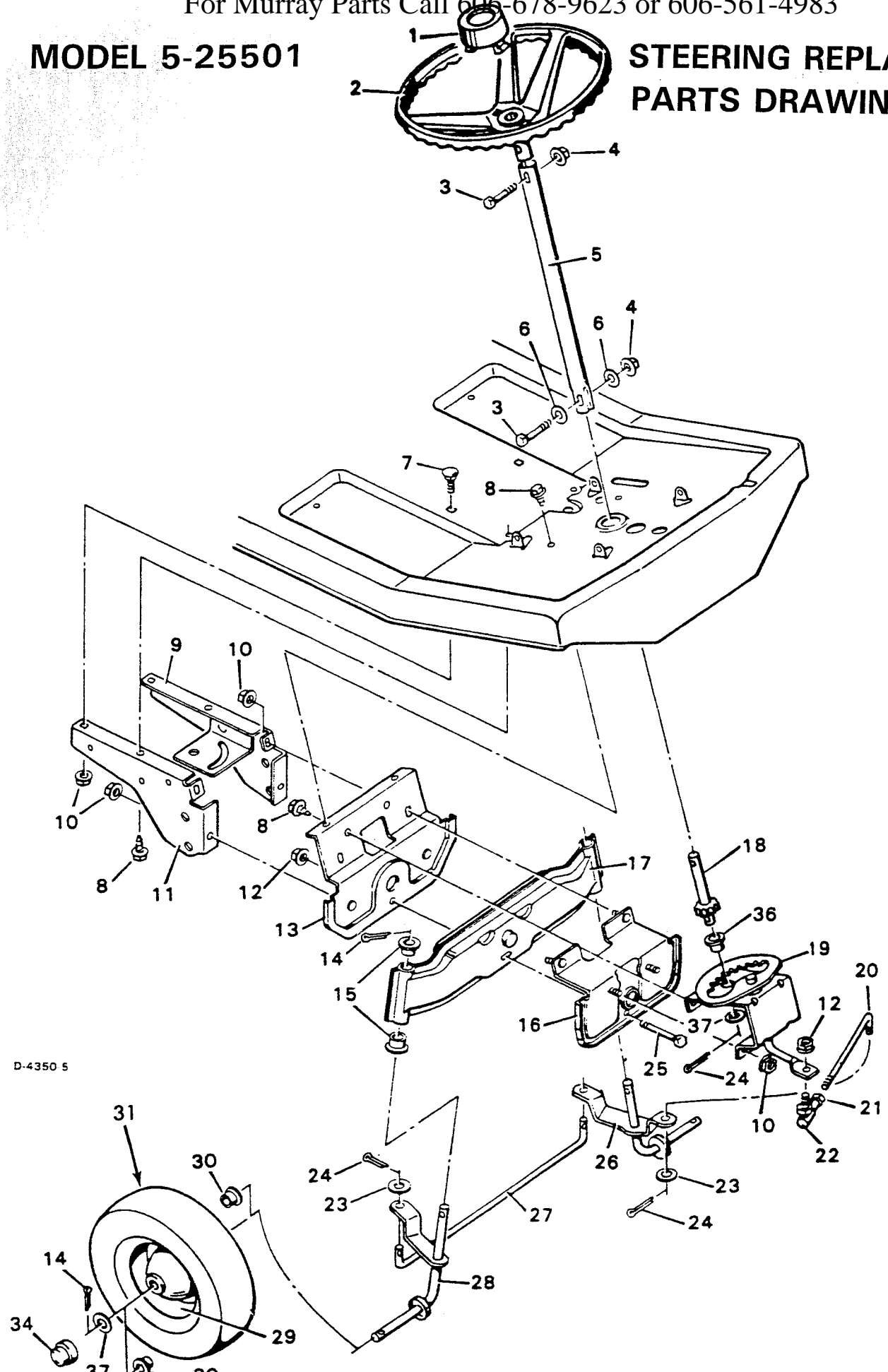
5-25501

| KEY NO. | DESCRIPTION                 | PART NO. |
|---------|-----------------------------|----------|
| 1       | Seat                        | 23568    |
| 5       | Screw                       | 26X49    |
| 7       | Washer                      | 10851Z   |
| 8       | Seat Support                | 55060    |
| 9       | Washer                      | 20663Z   |
| 10      | Hex Bolt 1/2"-13 x 3/4"     | 1X88     |
| 13      | Engine                      | *6       |
| 16      | Shakeproof Washer           | 19X8     |
| 17      | Bolt - Engine Mount         | 20103    |
| 18      | Woodruff Key No. 6          | 20062    |
| 19      | Control & Cable             | 55331PA  |
| 20      | Rear Body Assembly          | 55008    |
| 21      | Tinnerman Nut 1/4"-20       | 28X18    |
| 22      | Frame Channel               | 55192    |
| 27      | Tapping Screw               | 26X159   |
| 28      | Tapping Screw               | 26X214   |
| 30      | Bushing                     | 55176    |
| 31      | Hex Bolt 1/4"-20X5/8"       | 6X74     |
| 32      | Mat-Running Board (R.H.)    | 55102    |
| 33      | Mat-Running Board (L.H.)    | 55103    |
| 34      | Console Plate               | 55023    |
| 35      | Bearing - Steering Post     | 55004    |
| 36      | Console Assembly            | 55018    |
| 39      | Machine Screw 1/4-20 x 1/2" | 4X24     |
| 40      | Washer                      | 19X6     |
| 44      | Shakeproof Washer           | 19X36    |
| 47      | Body Support Bracket        | 55017Z   |
| 48      | Hex Bolt 5/16"-24 x 1-1/4"  | 1X74     |
| 49      | Washer                      | 17X47Z   |
| 50      | Locknut Stover              | 15X42    |
|         | Parts Bag                   | 55370    |
|         | Instruction Book            | F-7644   |
|         | Parts List                  | F-7645   |

†NOTE: Your Engine Model, Type & Code Number is stamped on the Blower Housing. All parts pertaining to the engine are available from the Briggs and Stratton Parts and Service Station listed in the yellow pages of the classified Telephone Directory.

# MODEL 5-25501

# STEERING REPLACEMENT PARTS DRAWING



D-4350 5

F-7542

# Steering Replacement Parts List

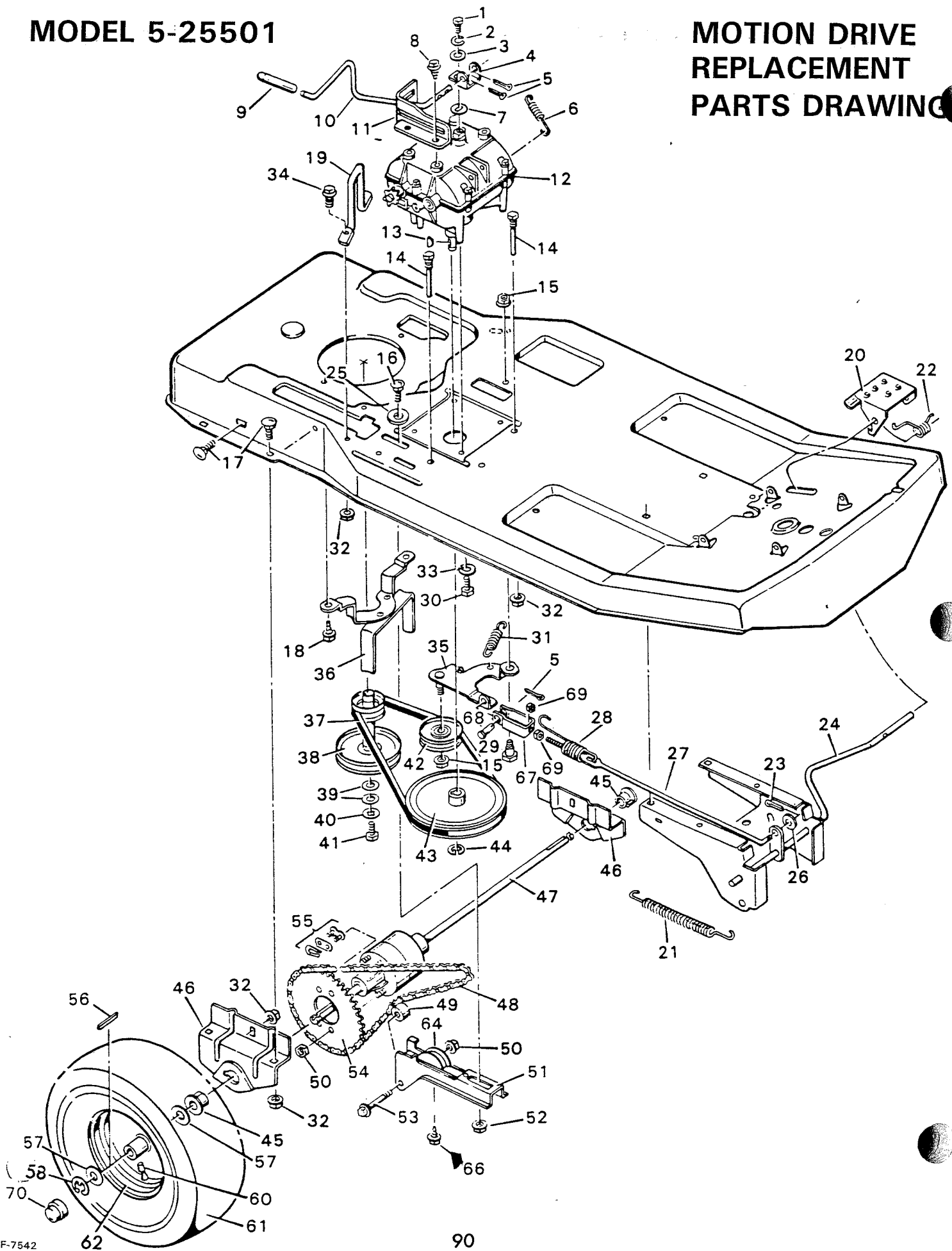
**MODEL 5-25501**

| KEY NO.       | DESCRIPTION                                 | PART NO.         |
|---------------|---|------------------|
| 1             | Cap-Steering Wheel                          | 55367            |
| 2             | Steering Wheel                              | 55368            |
| 3             | Hex Bolt 5/16"-18X1-1/2"                    | 1X102            |
| 4             | Flange Locknut 5/16"-13                     | 15X88            |
| 5             | Steering Post                               | 90130C           |
| 6             | Washer                                      | 17X47Z           |
| 7             | Carriage Bolt 5/16"-18X5/8"                 | 2X53             |
| 8             | Tapping Screw                               | 26X49            |
| 9             | Left Suspension Plate                       | 55385            |
| 10            | Flange Hex Nut                              | 15X79            |
| 11            | Right Suspension Plate                      | 55352            |
| 12            | Flange Locknut 3/8"-24                      | 15X87            |
| 13            | Front Axle Support Assembly                 | 55056            |
| 14            | Cotter Pin                                  | 30X49            |
| 15            | Spindle Bearing                             | 55003            |
| 16            | Front Axle Hanger Assembly                  | 55655            |
| 17            | Front Axle Assembly                         | 55024            |
| 18            | Pinion Gear                                 | 55001            |
| 19            | Sector Assembly                             | 55041            |
| 20            | Drag Link                                   | 55046            |
| 21            | Hex Nut 3/8"-24                             | 15X61            |
| 22            | Steering Ball Joint                         | 21031            |
| 23            | Washer                                      | 17X53            |
| 24            | Cotter Pin                                  | 30X20            |
| 25            | Hex Bolt 3/8"-24X2-3/8"                     | 1X69             |
| 26            | Left Spindle Assembly                       | 55039            |
| 27            | Tie Rod                                     | 55026            |
| 28            | Right Spindle Assembly                      | 55038            |
| 29            | Wheel & Tire Assembly                       | 54249            |
| 30            | Bearing                                     | 55598            |
| <del>31</del> | <del>Tire</del> <i>N/A hard to see Assy</i> | <del>24394</del> |
| 34            | Hub Cap                                     | 24583            |
| 36            | Bearing                                     | 55168            |
| 37            | Washer #                                    | 17X100Z          |

#NOTE: Use washer 24583 on outside of wheels if hub caps are used.

# MODEL 5-25501

# MOTION DRIVE REPLACEMENT PARTS DRAWING



# MOTION DRIVE REPLACEMENT PARTS DRAWING

## MODEL NO. 5-25501

| KEY NO. | DESCRIPTION                   | PART NO. | KEY NO. | DESCRIPTION                      | PART NO. |
|---------|-------------------------------|----------|---------|----------------------------------|----------|
| 1       | Hex Bolt 1/4''-28X5/8''       | 1X82     | 36      | Belt Guide Assembly              | 55053Z   |
| 2       | Spring Lockwasher             | 18X32    | 37      | Traction Drive Belt              | 37X38    |
| 3       | Washer                        | 17X32Z   | 38      | Stack Pulley Assembly            | 55112Z   |
| 4       | Transmission Yoke             | 24834Z   | 39      | Washer                           | 10851Z   |
| 5       | Cotter Pin                    | 30X20    | 40      | Shakeproof Washer                | 19X39    |
| 6       | Extension Spring-Brake Return | 165X28   | 41      | Hex Bolt 3/8''-24X1''            | 1X20     |
| 7       | Washer                        | 17X134   | 42      | Idler Pulley                     | 20613    |
| 8       | Tapping Screw                 | 26X207   | 43      | Pulley Transmission              | 55101    |
| 9       | Grip                          | 55321    | 44      | Retainer Ring                    | 11X7     |
| 10      | Shift Lever                   | 55438Z   | 45      | Axle Bearing, Flange             | 55597    |
| 11      | Shift Lever Gate              | 55263Z   | 46      | Bracket, Rear Axle               | 55063    |
| 12      | Transmission-Peerless 756A    | †        | 47      | Differential-Peerless 100-015    | †        |
| 13      | Woodruff Key #9               | 20697    | 48      | Roller Chain                     | 55114    |
| 14      | Guide Screw                   | 20619    | 49      | Roller**                         | 90176    |
| 15      | Flange Locknut 3/8''-16       | 15X84    | 50      | Flange Locknut 5/16''-18**       | 15X88    |
| 16      | Carriage Bolt 3/8''-16X3/4''  | 2X56     | 51      | Chain Adjusting Bracket          | 55194    |
| 17      | Carriage Bolt 5/16''-18X5/8'' | 2X53Z    | 52      | Flange Hex Nut 3/8''-16          | 15X68Z   |
| 18      | Tapping Screw                 | 26X49    | 53      | Shoulder Bolt 5/16''-18X1.72''** | 9X22     |
| 19      | Chain Clamp                   | 23553Z   | 54      | Sprocket-40 Tooth                | 55066    |
| 20      | Pedal-Brake/Clutch            | 55395    | 55      | Connection Link                  | 20730    |
| 21      | Extension Spring-Pedal        | 165X58   | 56      | Square Key 3/16''                | 21553    |
| 22      | Torsional Spring-Pedal        | 166X18   | 57      | Washer #                         | 21521    |
| 23      | Cotter Pin                    | 30X49    | 58      | E-Ring                           | 11X3     |
| 24      | Lever Assembly-Brake/Clutch   | 55247    | 60      | Valve Stem & Cap*                | 24373    |
| 25      | Washer                        | 17X67Z   | 61      | Tire Only*                       | 24379    |
| 26      | Washer                        | 17X47Z   | 62      | Wheel Only*                      | 24994E   |
| 27      | Rod, Brake/Clutch             | 55220Z   | 64      | Guide Block**                    | 23403    |
| 28      | Extension Spring-Brake Unit   | 165X42   | 66      | Tapping Screw**                  | 26X214   |
| 29      | Shoulder Bolt 3/8''-16X7/8''  | 9X15     | 67      | Clevis                           | 21915Z   |
| 30      | Hex Bolt 5/16''-18X3/4''      | 1X91     | 68      | Clevis Pin                       | 29X99    |
| 31      | Extension Spring-Clutch Unit  | 165X39   | 69      | Hex Nut                          | 15X2     |
| 32      | Flange Hex Nut 5/16''-18      | 15X79    | 70      | Hub Caps                         | 24582    |
| 33      | Lockwasher                    | 18X15    |         |                                  |          |
| 34      | Hex Bolt 5/16''-18X5/8''      | 1X45     |         |                                  |          |
| 35      | Idler Arm Assembly            | 55067Z   |         |                                  |          |

†NOTE: All parts pertaining to this Transmission or Differential are available from Tecumseh Parts and Service Centers listed in the yellow pages of the telephone directory under "Engines, Gasoline" or "Gasoline Engines."

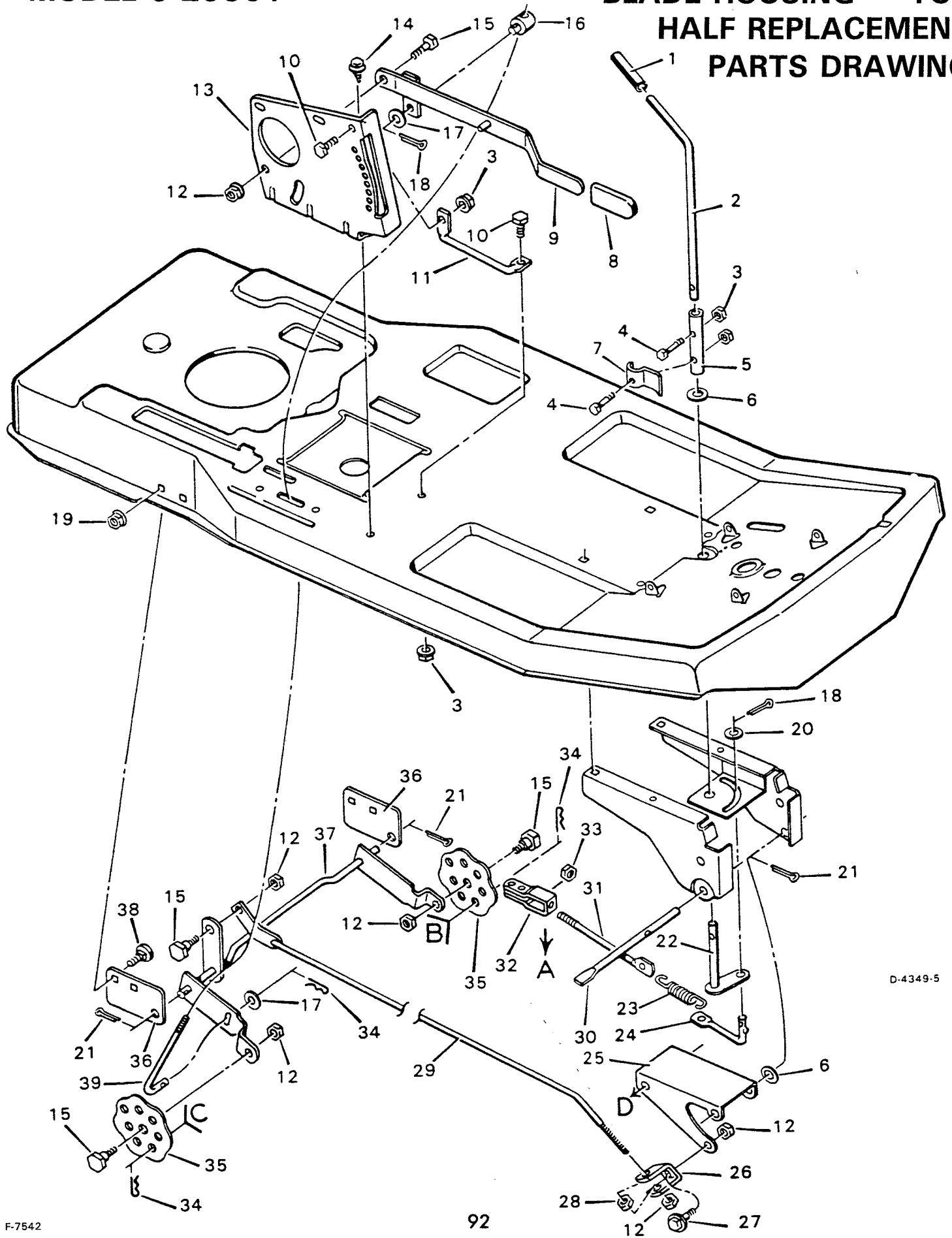
\*NOTE: These key numbers are included with key no. 59. When ordering replacement parts specify the brand name of the tire to insure that tread patterns on tire match.

\*\*NOTE: These key numbers are included with key no. 51.

#NOTE: Use washers 17X115 on outside of wheels if hub caps are used.

# MODEL 5-25501

# BLADE HOUSING — TOP HALF REPLACEMENT PARTS DRAWING



D-4349-5

# BLADE HOUSING — TOP HALF REPLACEMENT PARTS LIST

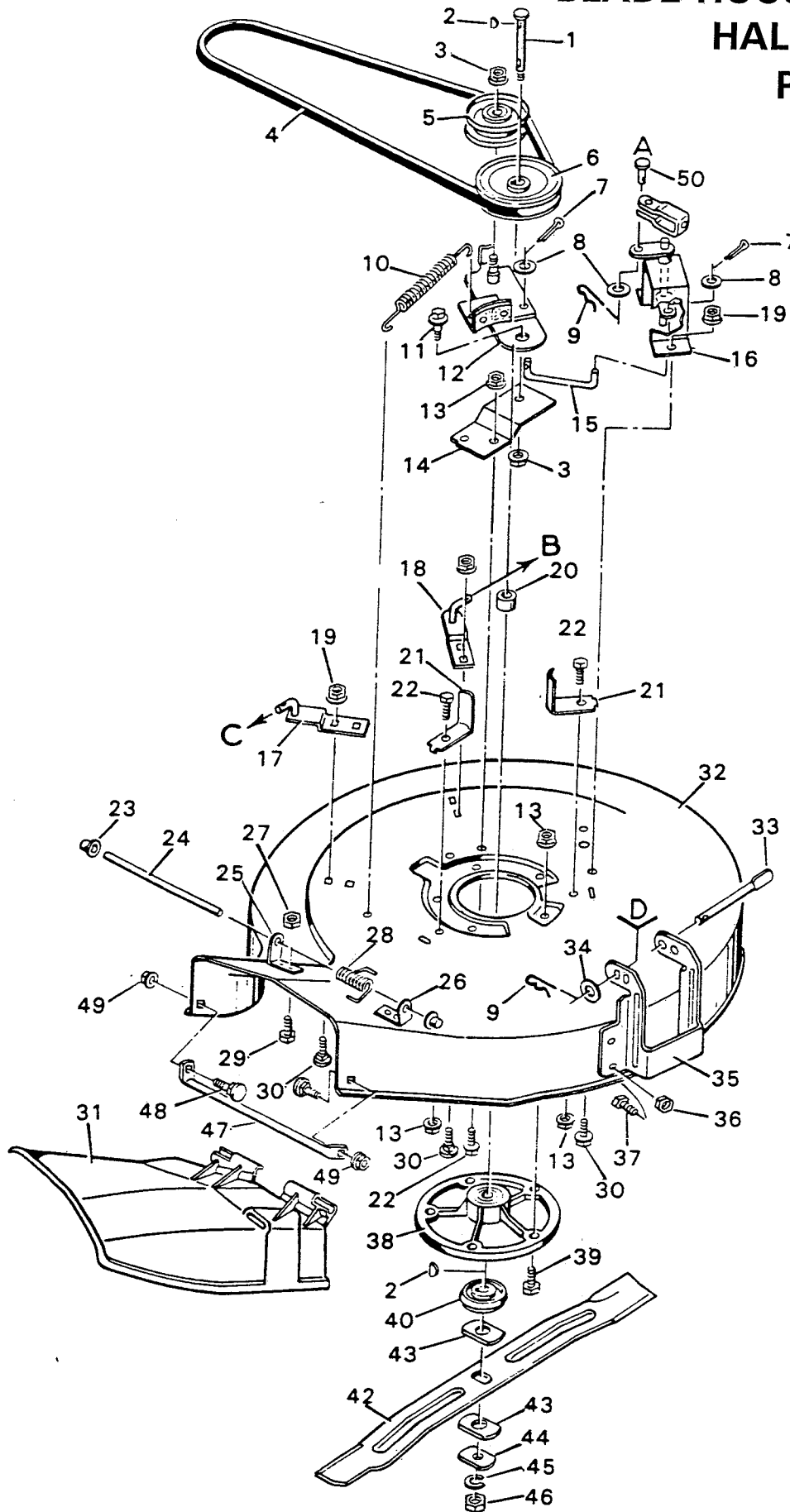
## MODEL 5-25501

| KEY NO. | DESCRIPTION                    | PART NO. |
|---------|--------------------------------|----------|
| 1       | Grip, Blade Control Lever      | 20476    |
| 2       | Lever, Blade Control           | 55391Z   |
| 3       | Locknut, Flange 1/4''-20       | 15X89    |
| 4       | Bolt, Hex 1/4''-20             | 1X76     |
| 5       | Tube, Blade Lever              | 55088    |
| 6       | Washer                         | 17X67Z   |
| 7       | Bracket, Switch                | 55347    |
| 8       | Grip, Lifter                   | 21249    |
| 9       | Lever Assembly                 | 55356    |
| 10      | Bolt, Hex 1/4''-20X5/8''       | 1X38     |
| 11      | Strut                          | 55348    |
| 12      | Locknut, Flange 3/8''-16       | 15X84    |
| 13      | Plate, Index                   | 55365    |
| 14      | Screw                          | 26X49    |
| 15      | Bolt, Shoulder 3/8''-16        | 9X9      |
| 16      | Nut, Adjuster                  | 21920    |
| 17      | Washer                         | 17X53    |
| 18      | Pin, Cotter                    | 30X20    |
| 19      | Nut, Hex Flange 5/16''-18      | 15X79    |
| 20      | Washer                         | 17X48    |
| 21      | Pin, Cotter                    | 30X49    |
| 22      | Rod & Arm Assembly             | 55390    |
| 23      | Spring, Extension-Blade Clutch | 165X7    |
| 24      | Link, Deck-Front               | 55179    |
| 25      | Bracket, Front Suspension      | 55139    |
| 26      | Clevis                         | 55298    |
| 27      | Bolt, Shoulder 3/8''-16        | 9X12     |
| 28      | Nut, Hex Jam 3/8''-16          | 15X73    |
| 29      | Rod Assembly                   | 55283    |
| 30      | Pin, Suspension                | 55141Z   |
| 31      | Link, Blade Drive              | 55219Z   |
| 32      | Clevis, Adjuster               | 21915Z   |
| 33      | Nut, Hex 5/16''-18             | 15X2     |
| 34      | Hairpin                        | 75336    |
| 35      | Plate, Adjuster                | 55344    |
| 36      | Plate, Mounting                | 55270    |
| 37      | Rod Assembly, Suspension       | 55346    |
| 38      | Bolt, Carriage                 | 2X53     |
| 39      | Rod, Blade Brake               | 24839    |



MODEL 5-25501

BLADE HOUSING — BOTTOM  
HALF REPLACEMENT  
PARTS DRAWING



D-4345-1

F-7542

# BLADE HOUSING — BOTTOM HALF REPLACEMENT PARTS LIST

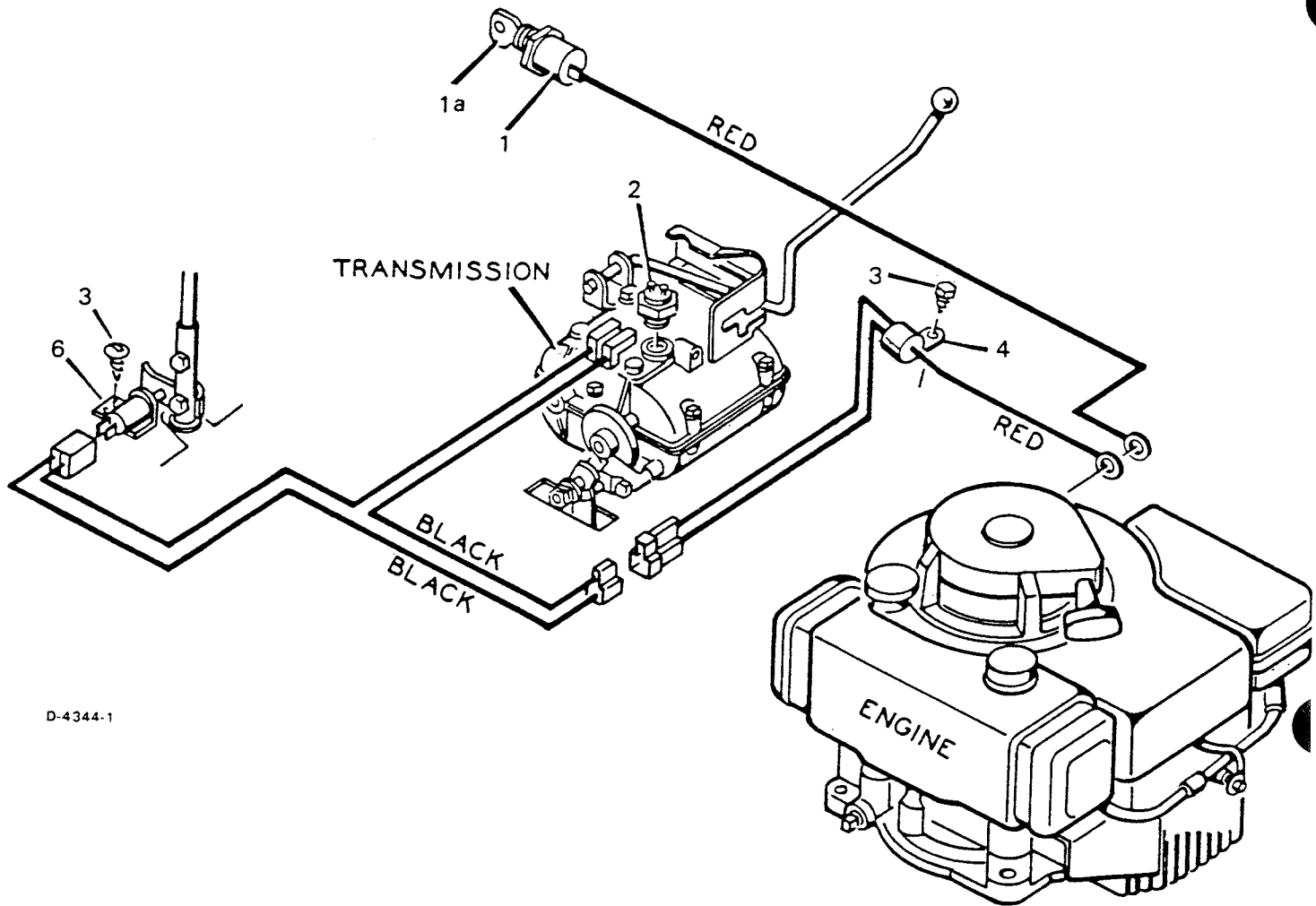
## MODEL 5-25501

| KEY NO. | DESCRIPTION                   | PART NO.      |
|---------|-------------------------------|---------------|
| 1       | Jackshaft                     | 24578         |
| 2       | Woodruff Key #6               | 20062         |
| 3       | Flange Locknut 3/8"-16        | 15X84         |
| 4       | Belt-Blade D-drive            | 37X12         |
| 5       | Idler Pulley                  | 20613         |
| 6       | Pulley                        | 23538         |
| 7       | Cotter Pin                    | 30X20         |
| 8       | Washer                        | 17X53Z        |
| 9       | Hair Pin                      | 20692         |
| 10      | Extension Spring-Blade Brake  | 165X43        |
| 11      | Shoulder Bolt 3/8"-16X7/8"    | 9X15          |
| 12      | Blade Idler Assembly          | 55077         |
| 13      | Flange Locknut 5/16"-18       | 15X88         |
| 14      | Idler Support Bracket         | 55095         |
| 15      | Idler Link                    | 55094Z        |
| 16      | Pivot Rod & Bracket Assembly* | 55071         |
| 17      | Rear Hanger Assembly R.H.*    | 55340         |
| 18      | Rear Hanger Assembly L.H.*    | 55339         |
| 19      | Flange Hex Nut 5/16"-18*      | 15X79         |
| 20      | Jackshaft Spacer              | 24533Z        |
| 21      | Belt Guide                    | 55096Z        |
| 22      | Hex Bolt 5/16"-18X5/8"*       | 1X45          |
| 23      | Push On Cap                   | 28X23         |
| 24      | Deflector Rod                 | 21197Z        |
| 25      | Rear Deflector Bracket*       | 21181         |
| 26      | Front Deflector Bracket*      | 21186         |
| 27      | Hex Nut #10-24                | 15X51         |
| 28      | Torsional Spring              | 166X4         |
| 29      | Machine Screw #10-24X5/8"*    | 4X21          |
| 30      | Carriage Bolt 5/16"-18X5/8"*  | 2X53          |
| 31      | Chute Deflector               | 21151         |
| 32      | Blade Housing & Brackets      | 55372         |
| 33      | Pull Pin                      | 55142Z        |
| 34      | Washer                        | 17X67Z        |
| 35      | Front Bracket*                | 55302         |
| 36      | Keys Nut 1/4"-20*             | 15X66         |
| 37      | Machine Screw 1/4"-20X1/2"*   | 1X38          |
| 38      | Jackshaft Housing Assembly    | 24384         |
| 39      | Hex Bolt 5/16"-18X1"          | 1X84          |
| 40      | Blade Adapter                 | 54211         |
| 42      | Blade-25"                     | 20083         |
| 43      | Washer                        | 21673Z        |
| 44      | Blade Washer                  | 20663Z        |
| 45      | Spring Lockwasher             | 18X27         |
| 46      | Hex Nut-Blade Mount           | 15X72         |
| 47      | Horn Guard*                   | 20581         |
| 48      | Carriage Bolt 1/4"-20X9/16"*  | 2X39          |
| 49      | Flange Locknut 1/4"-20*       | 15X89         |
| 50      | Clevis Pin                    | 29X99         |
|         | <b>Blade Housing Complete</b> | <b>403160</b> |

NOTE: These numbers are included with key no. 32.

**MODEL 5-25501**

**WIRING DIAGRAM & REPLACEMENT PARTS LIST**



D-4344-1

| KEY NO. | DESCRIPTION               | PART NO. |
|---------|---------------------------|----------|
| 1       | Ignition Switch Assy.     | 23665PA  |
| 1a      | Key Only                  | 20729    |
| 2       | Transmission Limit Switch | 23479    |
| 3       | Screw                     | 26X233   |
| 4       | Solid State Module        | 21361    |
| 6       | Limit Switch              | 24273    |
| *       | Wiring Harness            | 55187    |
| *       | Wire Clamp                | 21980    |
| *       | Tie Strap                 | 32618    |

\*Not Illustrated