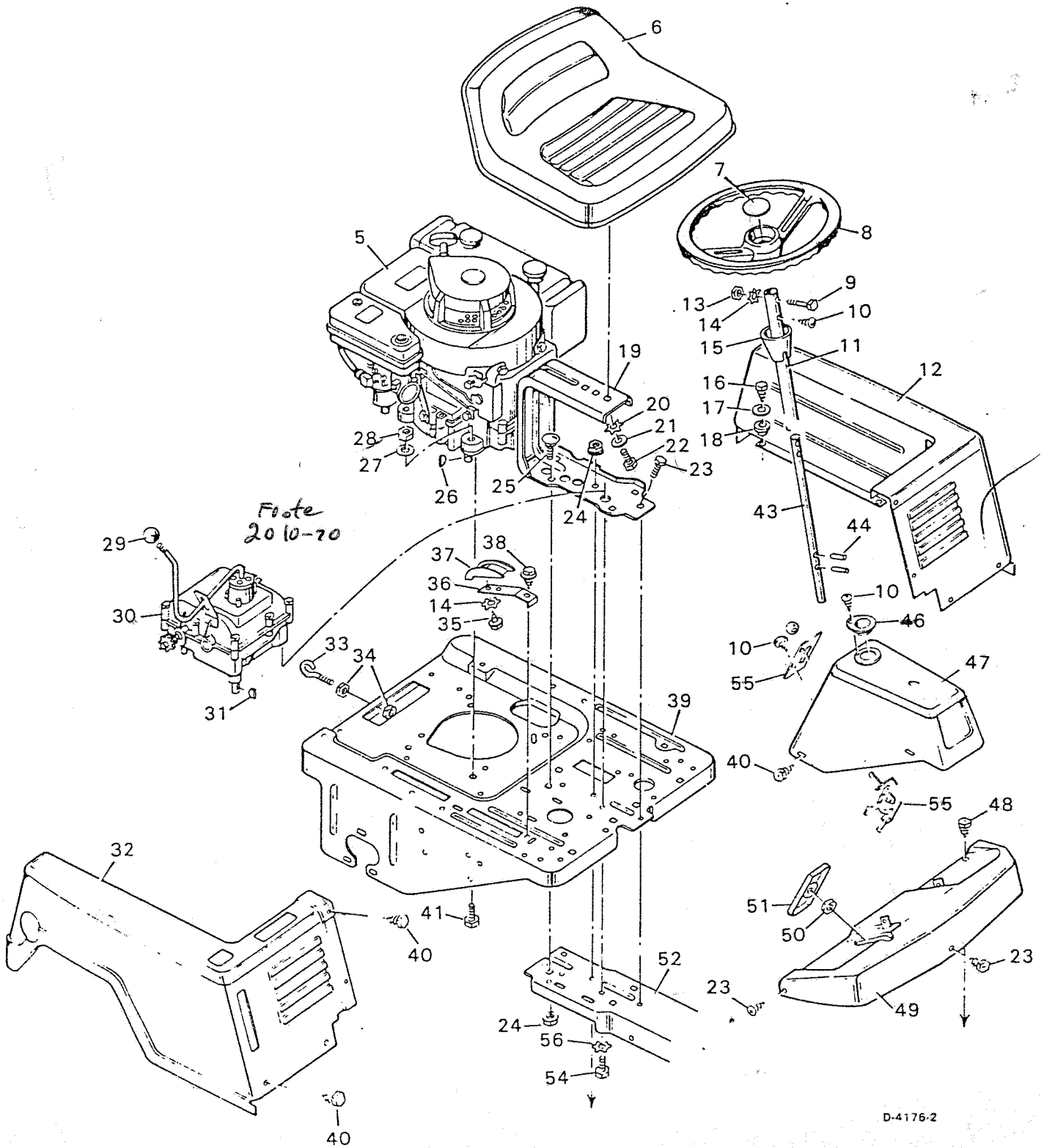


RIDING MOWER-TOP HALF PARTS ILLUSTRATION  
MANUFACTURE'S MODEL NO. 5-25002X18



**RIDING MOWER—TOP HALF PARTS LIST**

**MODEL NO. 5-25002X18**

KEY NO.	PART NO.	DESCRIPTION	KEY NO.	PART NO.	DESCRIPTION
5	-----	Engine#	30	-----	Transmission## <i>2010-70</i>
6	23568	Seat	31	20697	Woodruff Key
7	23573	Steering Wheel Cap	32	23420	R.H. Shroud Assembly
8	23572	Steering Wheel	33	20696	Hitch Bolt
9	6X58	Hex Bolt ¼-10X1½	34	15X33	Hex Nut 3/8-24
10	26X159	Screw	35	26X195	Screw
11	21172C	Sleeve	36	23402	Idler Leaf Spring
12	23422	L.H. Shroud Assembly	37	23403	Guide Block
13	15X1Z	Hex Nut ¼-20	38	26X174	Screw
14	19X4	Shakeproof Washer	39	23427	Engine Base
15	21171	Collar	40	26X214	Screw
16	26X184	Screw	41	1X74	Hex Bolt 5/16-24X1¼ *
17	17X106	Washer	42	20103	Engine Bolt
18	20720	Grommet	43	24612	Steering Post Tube Assembly
19	24567	Seat Bracket	44	32X70	Spring Pin
20	19X36	Shakeproof Washer	46	21034	Bearing-Nylon
21	17X67Z	Washer	47	23450	Console Assembly
22	1X88	Hex Bolt ½-13X7/8	48	26X179	Screw
23	26X197	Screw	49	20474	Apron Assembly
24	15X68	Flange Locknut 3/8-16	50	15X63	Hex Nut 7/16-14
25	2X56	Carriage Bolt 3/8-16X¾	51	20575E	Pedal Assembly
26	20062	Woodruff Key #6	52	23673	Frame Channel
27	17X47Z	Washer*	54	1X91	Screw - Transmission
28	15X42	Hex Nut 5/16-24*	55	21221	Throttle Control
29	20844	Shift Lever Knob	56	19X6	Shakeproof Washer

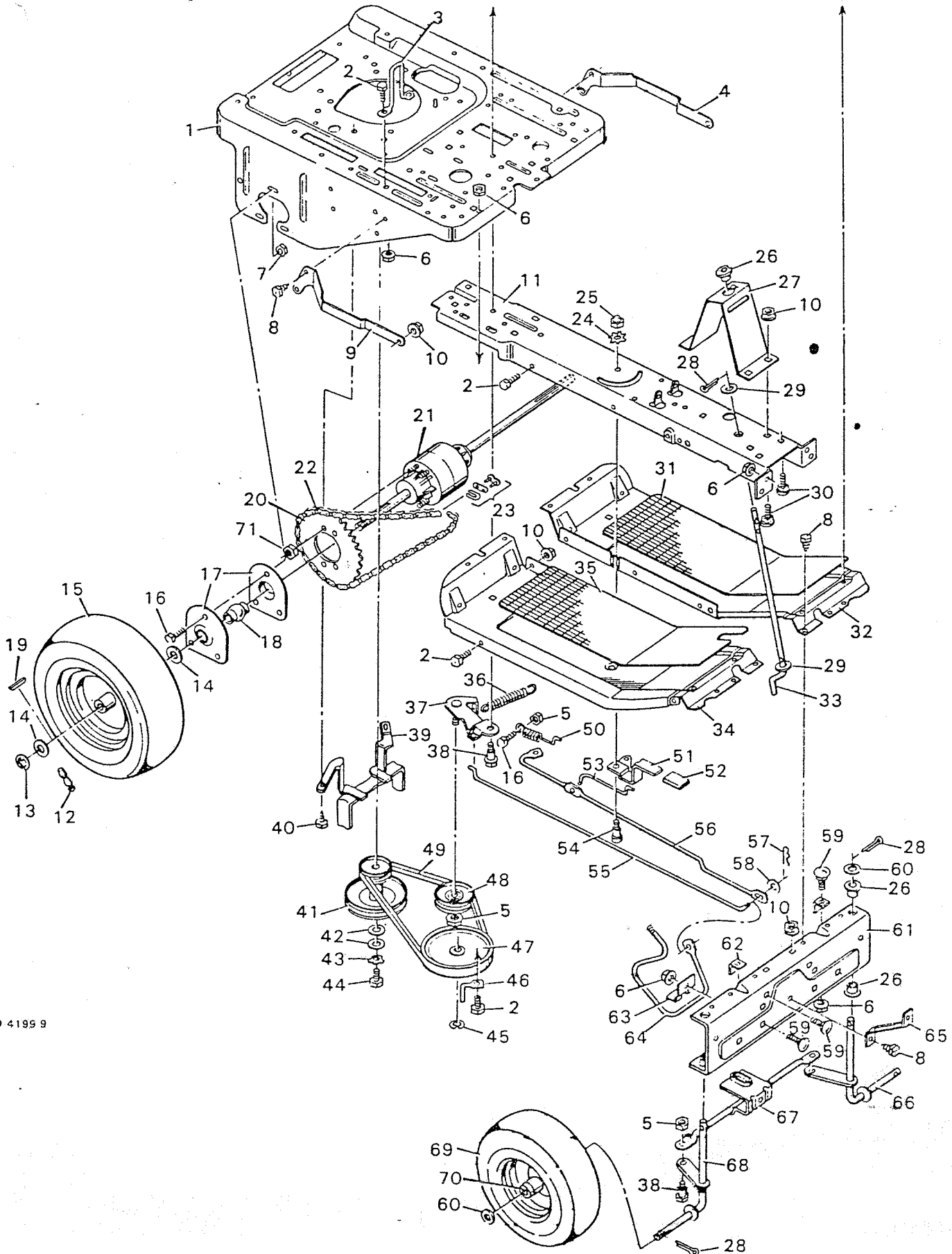
Model 5-25002 uses only (3) each of these part numbers. The fourth bolt is a P/N 20103 as indicated by Key Number 42.

#NOTE: Your Engine Model, Type & Code Number is stamped on the Blower Housing. All parts pertaining to this engine are available from the Briggs and Stratton Parts and Service Station in the yellow pages of the classified Telephone Directory.

##NOTE: All parts to this J.B. Foote transmission (Model No. 2010-70) are available from one of the J.B. Foote Central Parts Distributors listed on the warranty or contact: The J.B. Foote Foundry Co.; P.O. Box 236; Fredericktown, Ohio 43019; C/O Parts Service Manager.

# RIDING MOWER—LOWER HALF PARTS ILLUSTRATION

MANUFACTURE'S MODEL NO. 5-25002X18



D 4199 9

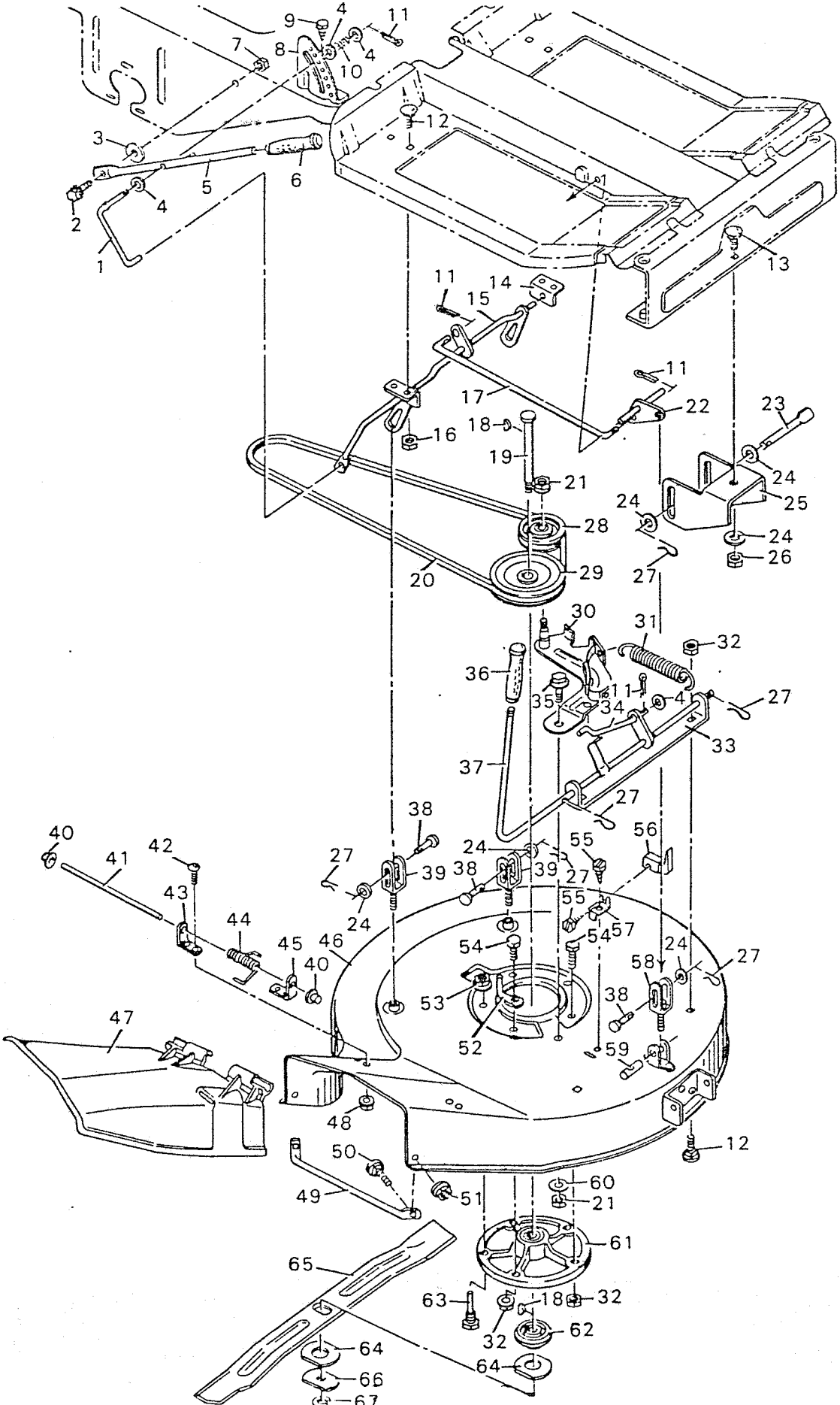
**RIDING MOWER—LOWER HALF PARTS LIST  
MANUFACTURE'S MODEL NO. 5-25002X18**

KEY NO.	PART NO.	DESCRIPTION	KEY NO.	PART NO.	DESCRIPTION
1	23427	Engine Base	36	165X58	Drive Idler Spring
2	1X45	Hex Bolt 5/16-18-5/8	37	23122Z	Drive Idler Assembly
3	23553Z	Chain Clamp	38	9X15Z	Shoulder Bolt
4	23456	L.H. Running Board Support	39	24714Z	Belt Guide Assembly
5	15X84	Flange Locknut 3/8-16	40	26X50	Screw
6	15X79	Flange Nut 5/16-18	41	23506Z	Stack Pulley Assembly
7	15X85	Flange Nut 3/8-16	42	10851Z	Washer
8	26X197	Screw	43	19X39	Shakeproof Washer
9	23455	R.H. Running Board Support	44	1X20	Hex Bolt 3/8-24X1
10	15X68Z	Flange Nut 3/8-16	45	11X7	Retainer Ring
11	23673	Frame Channel	46	23470Z	Belt Guide-Trans. Pulley
12	24373	Valve Stem & Cap	47	23615	Transmission Pulley
13	11X3	Retainer Ring	48	20613	Idler Pulley
14	21521	Washer	49	37X5	Drive Belt
15	24995	Rear Wheel and Tire*	50	165X11	Brake Spring
	24379	Tire Only*	51	21829Z	Parking Brake Lever
	24994E	Wheel Only*	52	23340	Parking Brake Grip
16	1X85	Hex Bolt 3/8-16X¾	53	23120	Parking Brake Link
17	20570Z	Bearing Retainer	54	6X46	Shoulder Screw
18	24944	Rear Axle Bearing	55	20669	Clutch & Brake Rod
19	21553	Square Key	56	23118	Brake Rod
20	55028	Sprocket	57	30X20	Cotter Pin
21	55000	Differential & Axle Unit	58	17X32	Washer
22	23544	Roller Chain	59	2X53	Carriage Bolt 5/16-18X5/8
23	20730	Connecting Link	60	24583	Washer
24	19X4	Shakeproof Washer	61	20545	Front Axle Beam
25	14X77	Acorn Nut	62	20709	Stop Clip
26	20587	Spindle Bearing-Nylon	63	20572	Clutch & Brake Lever Clamp
27	21071	Steering Support	64	20645	Clutch & Brake Lever
28	30X49	Cotter Pin	65	20639	Apron Support
29	17X87Z	Washer	66	24692	L.H. Spindle Assembly
30	2X56	Carriage Bolt 3/8-16X3/4	67	24700	Tie Bar Assembly
31	20691	L.H. Running Mat	68	24691	R.H. Spindle Assembly
32	21894	L.H. Running Board	69	54249	Front Wheel & Tire-
33	20864	Lower Steering Post	70	55598	Front Wheel Bearing
34	21893	R.H. Running Board	71	15X88	Flange Locknut 5/16"-18
35	20690	R.H. Rubber Mat			

\* When ordering replacement parts specify the brand name of the tire.

# MOWER HOUSING—PARTS ILLUSTRATION

## MANUFACTURE'S MODEL NO. 5-25002X18



D 4184 6

F 7658

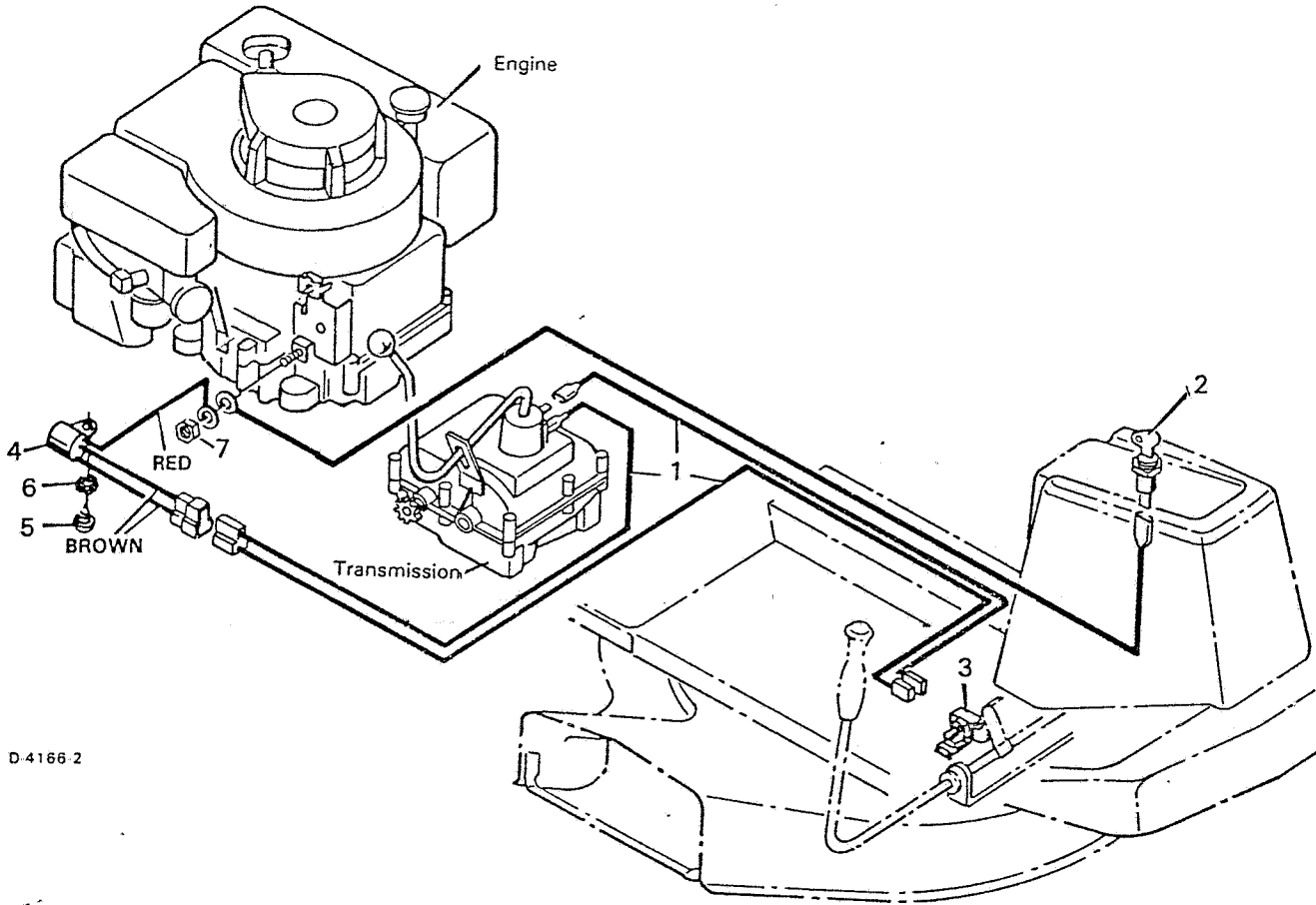
**MOWER HOUSING—PARTS LIST**  
**MANUFACTURE'S MODEL NO. 5-25002X18**

KEY NO.	PART NO.	DESCRIPTION	KEY NO.	PART NO.	DESCRIPTION
1	21886	Lifter Rod	35	9X15Z	Shoulder Bolt
2	9X14Z	Shoulder Bolt	36	20719	Grip
3	17X127Z	Washer	37	24671Z	Blade Drive Lever Assembly
4	17X46Z	Washer	38	21891	Clevis Pin
5	20658	Lever & Pin Assembly	39	24592	Rear Slotted Bracket
6	20718	Grip-Lifting Lever	40	28X23	Push-on-Cap
8	20636	Index Bracket	41	21197Z	Deflector Rod
9	26X197	Screw	42	4X67	Screw #10-24X¾
10	164X1	Lifter Spring	43	24937	Rear Deflector Bracket
11	30X20	Cotter Pin	44	166X4	Torsion Spring
12	2X53	Carriage Bolt 5/16-18X5/8	45	21186	Front Deflector Bracket
13	2X55	Carriage Bolt ½-13X1	46	24873	Blade Housing Assembly
14	21876	Rear Bracket	47	21151	Chute Deflector
15	24505	Lifter Rod Assembly	48	15X81	Locknut #10-24
16	15X79	Flange Nut 5/16-18	49	20581	Horn Guard
17	24500	Lifter Link	50	2X39	Carriage Bolt ¼-20X9/16
18	20062	Woodruff Key#	51	15X89	Flange Locknut ¼-20
19	20616	Jackshaft	52	23470Z	Belt Guide
20	37X7	Blade Belt	53	15X79	Locknut 5/16-18
21	15X84	Flange Locknut 3/8-16	54	1X84	Hex Nut 5/16-18X1
22	21880	Pivot Arm & Rod Assembly	55	26X214	Screw
23	21890Z	Pin	56	24527	Limit Switch
24	17X67Z	Washer	57	24503	Switch Bracket
25	21885	Front Suspension Bracket	58	21883	Front Slotted Bracket
26	15X41	Hex Nut ½-13	59	21892	Lifter Pin
27	75336	Hair Pin	60	10851Z	Washer
28	20613	Idler Pulley	61	20551	Jackshaft Housing Assembly
29	20615	Jackshaft Pulley	62	20617	Blade Adapter
30	20671	Idler Bracket & Brake Assembly	63	20619Z	Guide Screw
31	165X1	Blade Idler Spring	64	21673Z	Washer
32	15X88	Flange Locknut 5/16-18	65	20083	Blade
33	20666	Front Scissor Bracket	66	20663Z	Blade Washer
34	20673Z	Blade Brake Rod	67	18X27	Lockwasher
			68	15X72	Blade Mount Nut

~~404000~~

Complete  
Deck  
404025

**WIRING DIAGRAM**  
**MANUFACTURE'S MODEL NO. 5-25002X18**



D-4166-2

KEY NO.	PART NO.	DESCRIPTION
1	24837	Wiring Harness
2	23665PA	Stop Switch & Key
3	24527	Limit Switch
4	21361	Control Module
5	26X185	Screw
*	32618	Tie Strap
6	19X1	Shakeproof Washer
7	15X49Z	Hex Nut #8-32

\* Not illustrated in manual.