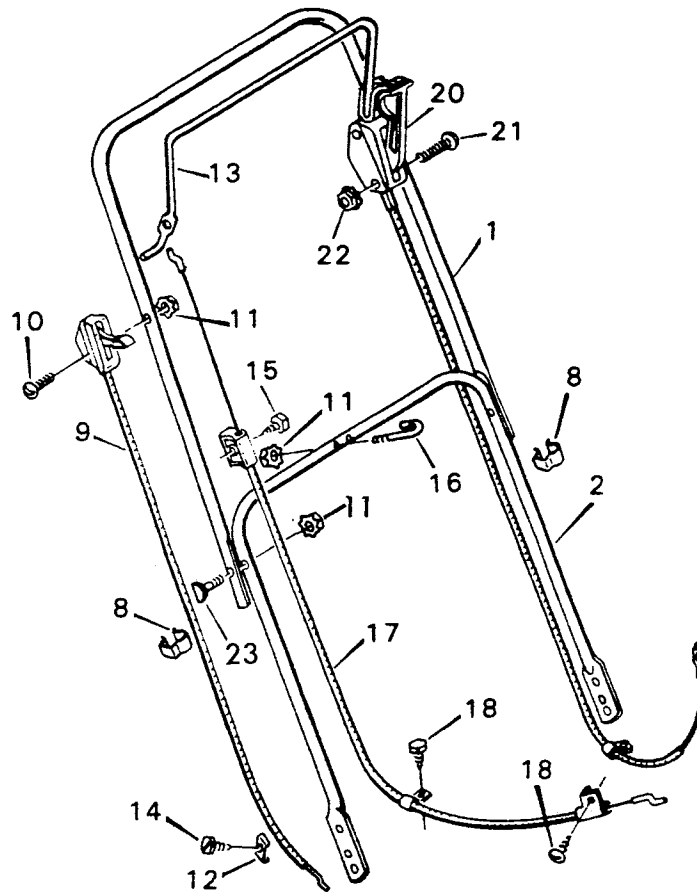


D-3552

Mower Housing Parts List

5-22651

KEY NO.	DESCRIPTION	PART NO.
1	Engine **	---
2	Drive Yoke Bracket R.H.	42918Z
3	Woodruff Key	20062
4	Engine Sprocket	20411
5	Spring Pin	32X64
6	Chain	20108
7	Screw	26X214
8	Chain & Pinion Guard Assembly	42576
9	Shoulder Bolt	9X17
10	Screw	4X21
11	Drive Yoke Bracket L.H.	42917Z
12	Nut	15X71
13	Nut	15X84
14	Flange Locknut	15X82
15	Retainer Ring	11X8
16	Drive Pinion	20066
17	Keps Nut	15X76
18	Washer	17X100Z
19	Bearing Retainer	42284Z
20	Bearing	20048
21	Drive Arm	42285Z
22	Torsional Spring, L.H.	166X15
23	Flange Locknut	15X88
24	Bolt	1X45
25	Drive Shaft and Sprocket, on Model W/Height Adjusters	22150Z
26	Shoulder Bolt	9X8
27	Shoulder Bolt	9X1
28	Washer, on Model W/Height Adjusters	17X102Z
29	Wheel Connecting Lever, on Model W/Height Adjusters	22970Z
30	Spring Pin	32X70
31	Bracket & Pulley Assembly	22973
32	Tie Rod Assembly	22989Z
33	Torsional Spring, R.H.	166X14
34	Extension Spring	165X8
35	Rear Deflector	42747
36	Retainer	42743
39	Bolt	1X38
40	Housing for Non-Folding Handle	70079
41	Axle Bolt, for Front Wheel	9X6
	Axle Bolt, for Rear Wheel	9X10Z
42	Wheel & Tire*	---
43	Spacer, on Model W/Axle Bolt	22941
44	Washer, on Model W/Axle Bolt	10851Z
45	Flange Nut	15X68Z
47	Bolt	20103
48	Blade	20046
49	Blade Washer	17X137
50	Bolt	1X69
51	Blade Adapter	42735
52	Chute Deflector	42919
53	Push On Cap	28X42
54	Pivot Pin	22326Z
55	Spring	166X5
59	Wheel Adjuster † See Page 33	---
61	Washer	17X124
62	Hair Pin	20101
63	Hub Cap	20107
	Instruction Book	F-7452
	Parts Bag	042927

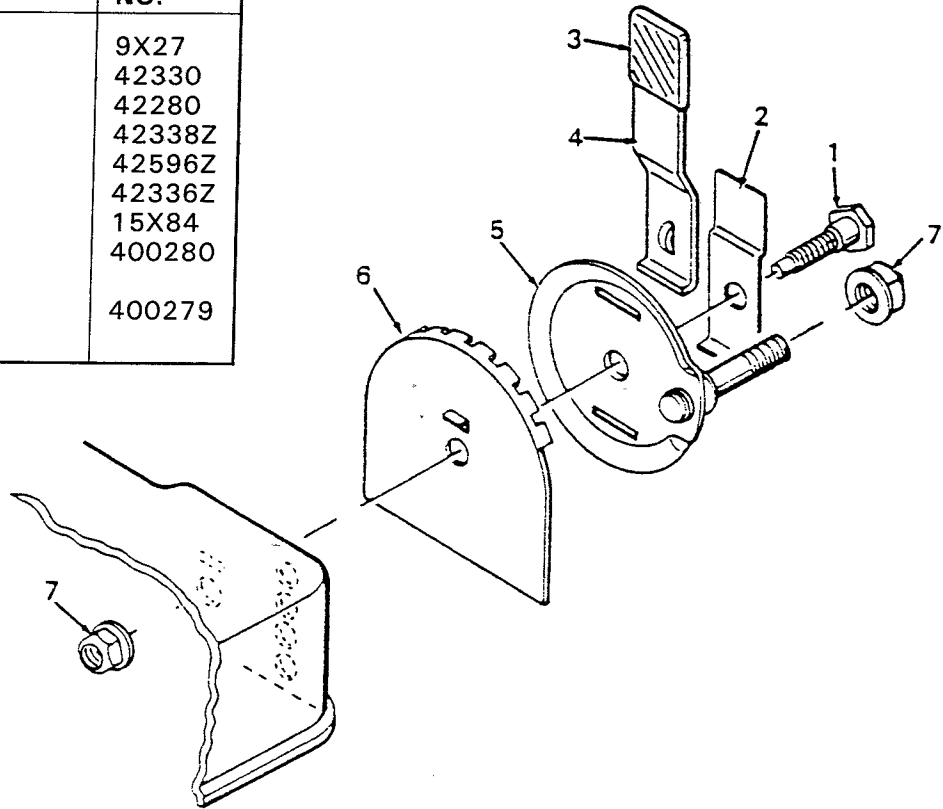


D-3319 2

KEY NO.	DESCRIPTION	PART NO.
1	Upper Handle	42369C
2	Lower Handle	42891C
8	Cable Clamp	42950
9	Throttle Control	42949
10	Bolt	3X105
11	Keps Nut	15X66
12	Clamp	20073
13	Engine Stop Lever	42560C
14	Screw	26X181
15	Screw	26X220
16	U-Bolt	42896Z
17	Engine Stop Cable	42569
18	Screw	26X234
20	Drive Control	42750
21	Bolt	3X147
22	Nut	15X71
23	Bolt, Non-Folding Handle	3X136

Wheel Adjuster Assembly For 5-22251, 5-22261 5-22271 & 5-Specials of These Murray Models

KEY NO.	DESCRIPTION	PART NO.
1	Shoulder Bolt	9X27
2	Spring	42330
3	Grip	42280
4	Adjuster Lever	42338Z
5	Wheel Adjuster Bracket	42596Z
6	Index Plate	42336Z
7	Flange Nut	15X84
1-7	Wheel Adjuster Assembly Right Front or Left Rear	400280
1-7	Wheel Adjuster Assembly Left Front or Right Rear	400279



Wheel Adjuster Assembly For 5-22651 5-22683, 5-21851, 5-21861, 5-21951 5-21961 & 5-Specials Of These Murray Models

KEY NO.	DESCRIPTION	PART NO.
1	Adjuster Lever, Side Bagger	42756
	Adjuster Lever, Rear Bagger	42757
2	Shoulder Bolt	9X26
3	Hex Nut	15X84
4	Washer	17X102Z
5	Grip	20065
6	Hex Bolt	1X85
7	Index Plate-LF,RR	42753Z
	Index Plate-RF,LR	42754Z
8	Hex Nut	15X97
9	Flange Nut	15X68Z
1-9	Height Adj. Ass'y, Rear Bagger (For right front or left rear)	400275
	Height Adj. Ass'y, Rear Bagger (For left front or right rear)	400276
	Height Adj. Ass'y, Side Bagger (For left front or right rear)	400277
	Height Adj. Ass'y, Side Bagger (For right front or left rear)	400278

