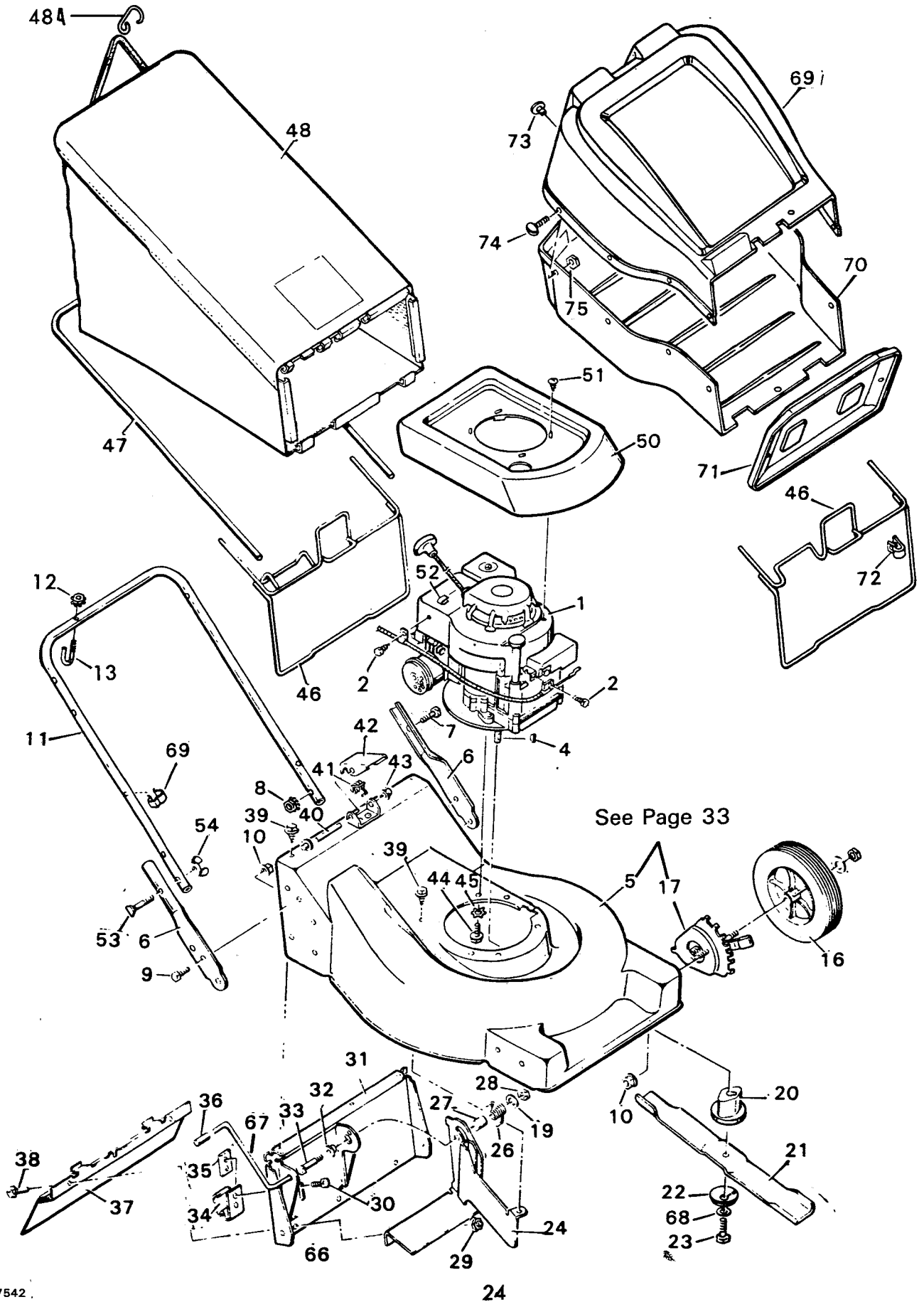


For Murray Parts Call 606-678-9623 or 606-561-4983
MODEL NO. 5-21851 Cloth Bag
Model No. 5-21861 Hard Plastic Catcher

**MOWER HOUSE
ILLUSTRATION**



F-7542

D-33

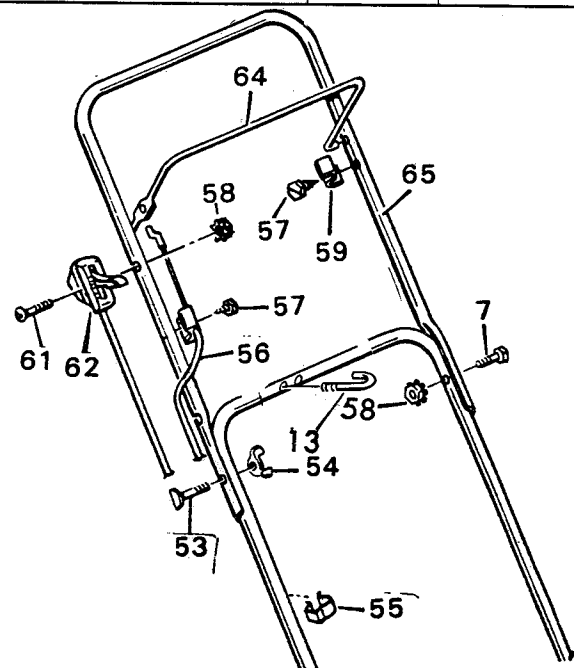
MOWER HOUSING PARTS LIST

MODEL NOS.

5-21851

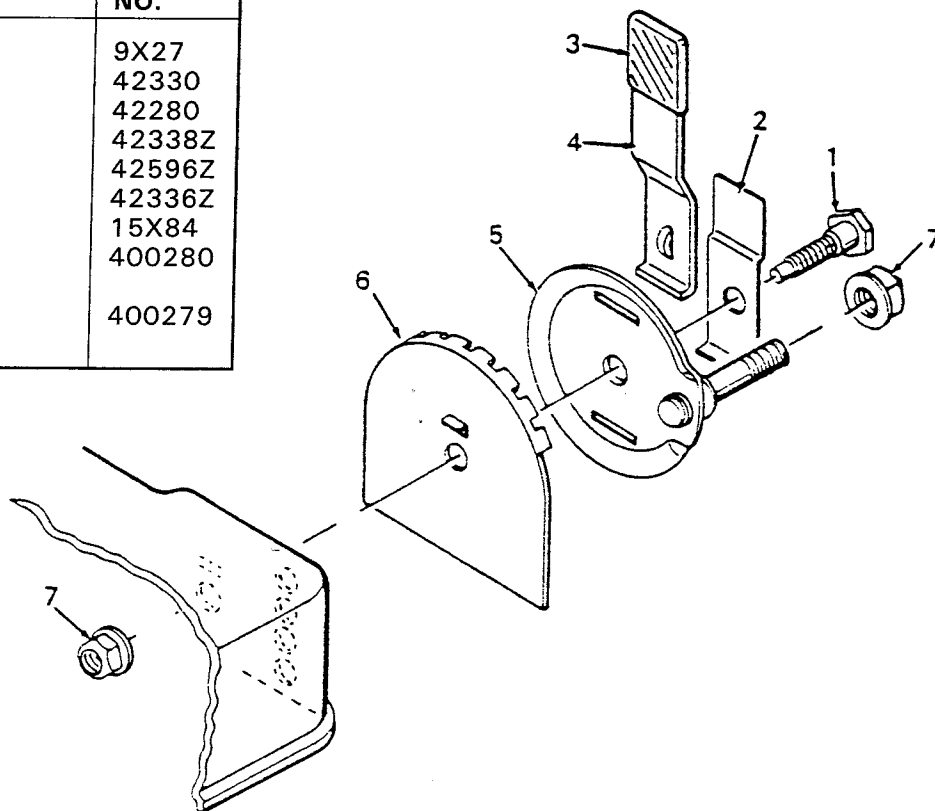
5-21861

KEY NO.	DESCRIPTION	MODEL 21851	MODEL 21861	KEY NO.	DESCRIPTION	MODEL 21851	MODEL 21861
1	Engine	----	----	41	Spring	166X20	166X20
2	Screw	26X234	26X234	42	Latch	42004Z	42004Z
4	Woodruff Key	20062	20062	43	Push On Cap	28X42	28X42
5	Housing	70059	70059	44	Engine Mounting Bolt	20103	20103
6	Handle Mounting Bracket	42422C	42422C	45	Shakeproof Washer	19X8	19X8
7	Hex Bolt	1X94	---	46	Bag Frame Assembly	42433	42872
9	Hex Bolt	1X85	1X85	47	Upper Support Tube	42432	---
10	Hex Nut-Flange	15X84	15X84	48	Bag, Mesh	42430	---
11	Lower Handle	42894C	42894C	48a	Hook	42431	42431
12	Keps Nut	15X66	15X66	50	Engine Shroud Assembly	---	70062
13	U-Bolt	42896Z	42896Z	51	Screw	---	26X230
15	Washer	17X102Z	17X102Z	52	Rope Stop	---	42189
16	Wheel & Tire*	20104	20104	53	Contour Head Bolt	---	6X73Z
17	Height Adjuster Assy. See Page 33	---	---	54	Wing Nut	---	14X83Z
19	Washer	10851Z	10851Z	55	Cable Retainer	42950	42950
20	Blade Adapter	42735	42735	56	Engine Stop Cable	42945	42945
21	Blade	22860	22860	57	Screw	26X220	26X220
22	Blade Washer	17X137	17X137	58	Keps Nut	15X66	15X66
23	Hex Bolt	1X69	1X69	59	Lever Stop	42765Z	42765Z
24	Rear Insert	42853E	42853E	61	Screw	3X105	3X105
25	Flange Locknut	15X82	15X82	62	Throttle Control	42947	42947
26	Torsion Spring	166X21	166X21	64	Engine Stop Lever	42763C	42763C
27	Door Spring Tube	42412C	42412C	65	Upper Handle	42938C	42938C
28	Hex Nut-Flange	15X68Z	15X68Z	66	Door	42419E	42419E
30	Screw	25X2	25X2	67	Door Lever	42421C	42421C
31	Rear Plate	42852	42852	68	Washer	17X124	17X124
32	Spacer	22941	22941	69	Grass Catcher, top half	---	42933
33	Hex Bolt	1X87	1X87	70	Grass Catcher, bottom half	---	42934
34	Door Lock Spring	42413	42413	71	Baffle	---	42935
35	Spacer	42420Z	42420Z	72	Clip	---	192X1
36	Grip-Door Lever	42281	42281	73	Panel Fastener	---	193X1
37	Rear Guard Ass'y	42749	42749	74	Screw	---	4X21
38	Hex Bolt	1X38	1X38	75	Hex Nut	---	15X102
39	Tapping Screw	26X214	26X214		Parts Bag	42929	42951
40	Latch Pin	42416Z	42416Z		Instruction Book	F-7454	F-7454



Wheel Adjuster Assembly For 5-22251, 5-22261 5-22271 & 5-Specials of These Murray Models

KEY NO.	DESCRIPTION	PART NO.
1	Shoulder Bolt	9X27
2	Spring	42330
3	Grip	42280
4	Adjuster Lever	42338Z
5	Wheel Adjuster Bracket	42596Z
6	Index Plate	42336Z
7	Flange Nut	15X84
1-7	Wheel Adjuster Assembly Right Front or Left Rear	400280
1-7	Wheel Adjuster Assembly Left Front or Right Rear	400279



Wheel Adjuster Assembly For 5-22651 5-22683, 5-21851, 5-21861, 5-21951 5-21961 & 5-Specials Of These Murray Models

KEY NO.	DESCRIPTION	PART NO.
1	Adjuster Lever, Side Bagger	42756
	Adjuster Lever, Rear Bagger	42757
2	Shoulder Bolt	9X26
3	Hex Nut	15X84
4	Washer	17X102Z
5	Grip	20065
6	Hex Bolt	1X85
7	Index Plate-LF,RR	42753Z
	Index Plate-RF,LR	42754Z
8	Hex Nut	15X97
9	Flange Nut	15X68Z
1-9	Height Adj. Ass'y, Rear Bagger (For right front or left rear)	400275
	Height Adj. Ass'y, Rear Bagger (For left front or right rear)	400276
	Height Adj. Ass'y, Side Bagger (For left front or right rear)	400277
	Height Adj. Ass'y, Side Bagger (For right front or left rear)	400278

