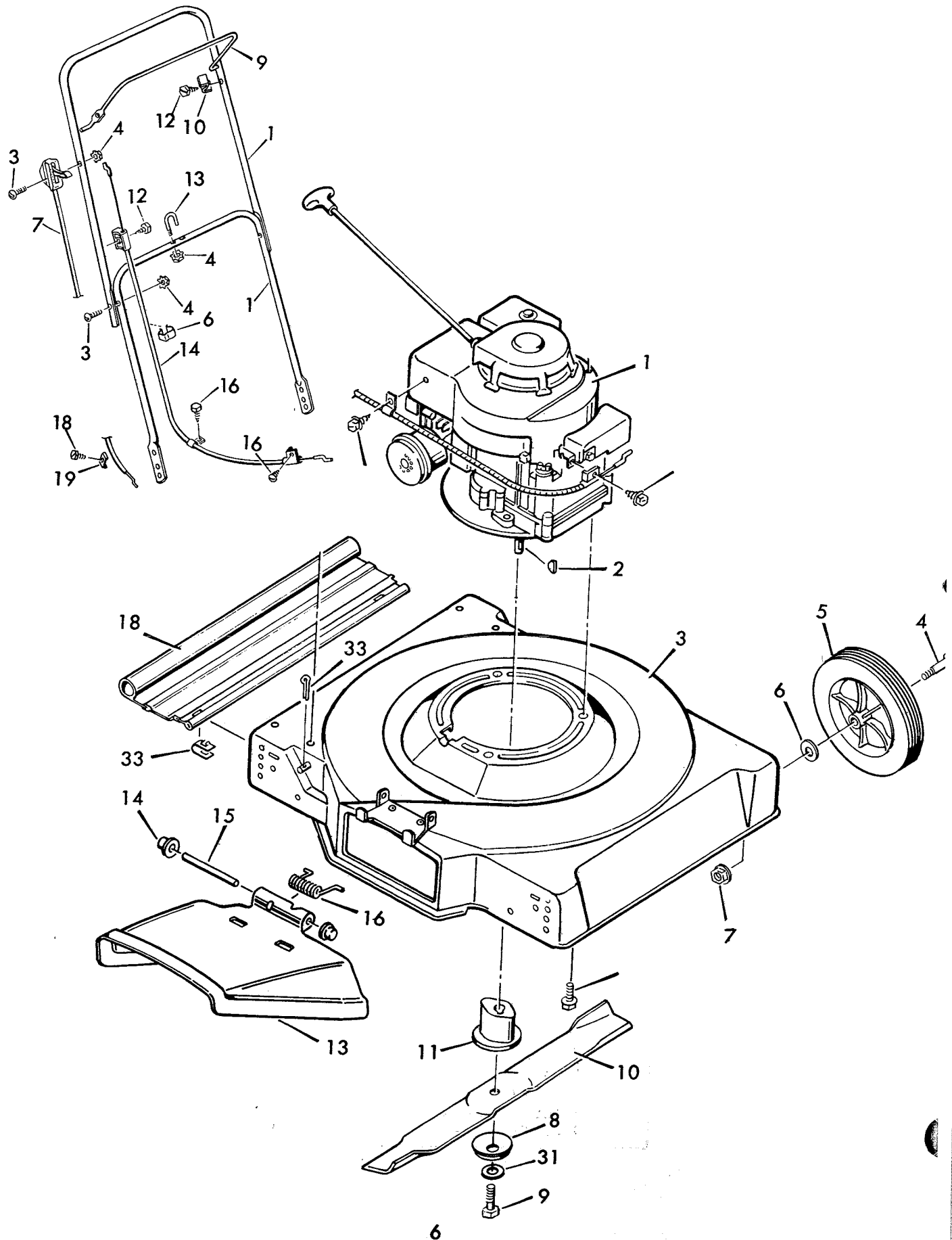


For Murray Parts Call 606-678-9623 or 606-561-4983
Model 5-20221 - 20"
5-20211 (Economy Pack)

Mower Housin
Illustration



F-7542

**Mower Housing
Illustration**

**Model 5-20221 – 20''
Model 5-20211 (Economy
Pack)**

KEY NO.	DESCRIPTION	20''
1	Engine	---
2	Woodruff Key	20062
3	Housing-for Non-folding Handle	70082
4	Axle Bolt	9X10Z
5	Wheel and Tire	20270
6	Washer	10851Z
7	Flange Locknut	15X68Z
8	Blade Washer	17X137
9	Hex Bolt	1X68
10	Blade	20045
11	Blade Adapter	42734
13	Chute Deflector	42919
14	Push On Cap	28X42
15	Pivot Pin	22326Z
16	Spring	166X5
17	Retainer	42743
18	Rear Guard	42746
27	Washer	19X8
28	Engine Bolt	20103
31	Washer	17X124
33	Cotter Pin	30X35
	Instruction Book 5-20221	F-7450
	Instruction Book 5-20211	F-7450
	Parts Bag 5-20221	42920
	Parts Bag 5-20211	42921

HANDLE PARTS LIST

KEY NO.	DESCRIPTION	PART NO.
1	Upper Handle	42937C
2	Lower Handle	42893C
3	Bolt	3X136Z
4	Keys Nut	15X66
6	Cable Retainer, Metal	42950
7	Throttle Control, Slide	42949
9	Engine Stop Lever	42763C
10	Handle Stop	42765C
12	Screw	26X220
13	U-Bolt	42896Z
14	Engine Stop Cable	42569
16	Screw	26X234
18	Screw	26X181
19	Clamp	20073