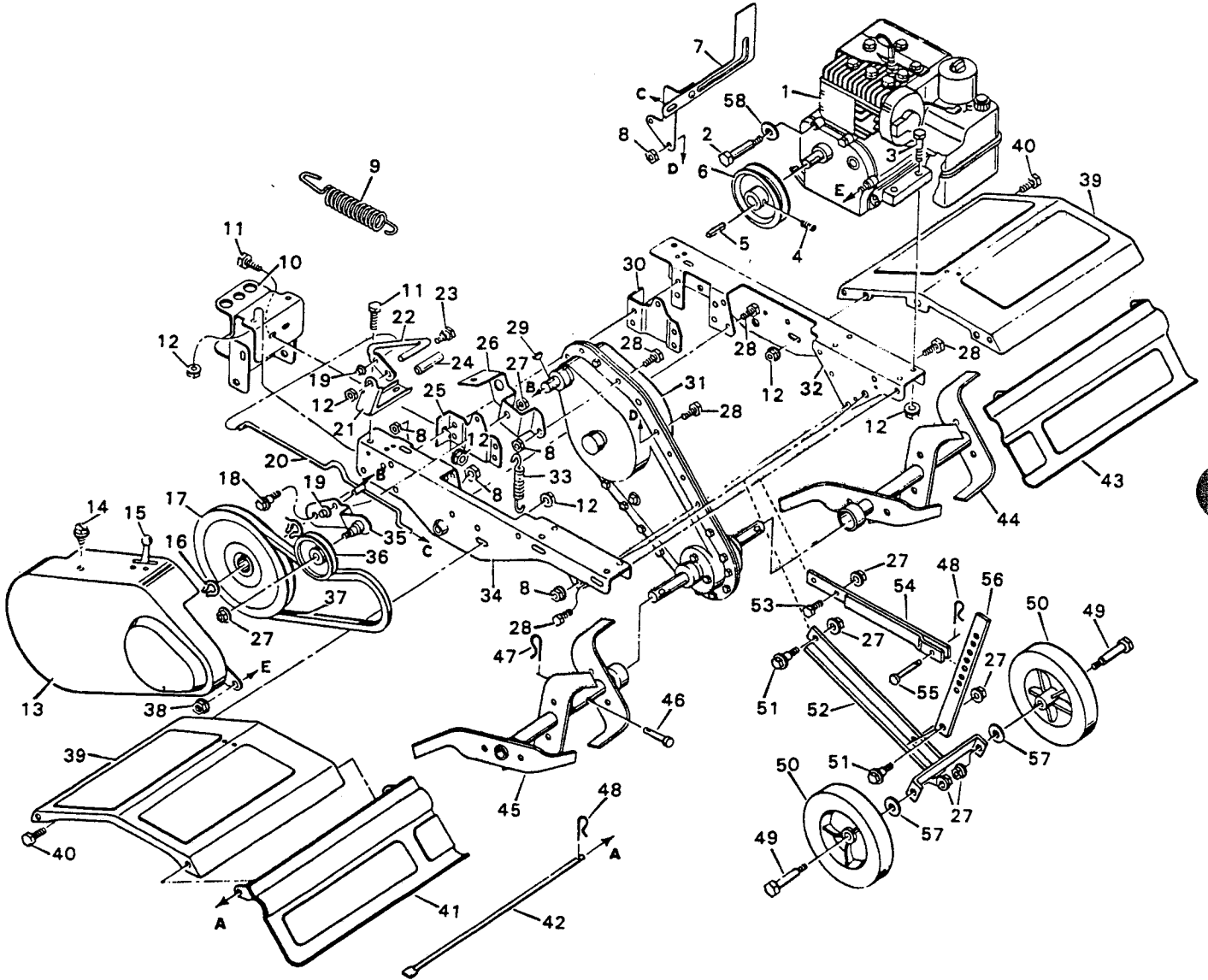


MODEL 5-13450 TRACTOR TILLER

REPLACEMENT PARTS ILLUSTRATION



TRACTOR TILLER REPLACEMENT PARTS

MODEL 5-13450

KEY NO.	DESCRIPTION	PART NO.	KEY NO.	DESCRIPTION	PART NO.
1	Engine †	----	31	Transmission	75407
2	Shoulder Bolt 1/4"-20X3/4"	9X21	32	Chassis Half	75515
3	Hex Bolt 5/16"-18X1 1/2"	1X102	33	Extension Spring	165X30
4	Set Screw	23X48	34	Chassis Half	75514
5	Square Key 3/16"	21553	35	Idler Bracket Assembly	75475Z
6	Pulley	75474	36	Idler Pulley	75149
7	Caution Flag Assembly	75468	37	Belt	37X32
8	Stover Nut 1/4"-20	15X86	38	Keps Nut 1/4"-20	15X66
9	Extension Spring-Depth	165X29	39	Tine Shield Assembly	75472
10	Hitch Bracket Assembly	75429	40	Hex Bolt 5/16"-18X3/4"	1X91
11	Hex Bolt 5/16"-18X1	1X84	41	Rear Guard Assembly-L.H.	75512
12	Flange Locknut 5/16"-18	15X88	42	Rear Guard Connecting Pin	75513Z
13	Belt Guard	75423	43	Rear Guard Assembly-R.H.	75511
14	Tapping Screw	26X214	44	Tine & Hub Assembly-R.H.	75500
15	Knob - Throttle Control	20339	45	Tine & Hub Assembly-L.H.	75499
15a	Throttle Control	75455PA	46	Clevis Pin	29X98
16	Retainer Ring	11X7	47	Spring Pin	75061
17	Input Pulley	21410	48	Hair Pin	75336
18	Shoulder Bolt 3/8"-16X7/8"	9X15	49	Shoulder Bolt 3/8"-16	9X6
19	Push On Cap	28X42	50	Wheel & Tire	20104
20	Clutch Rod Assembly	75415Z	51	Shoulder Bolt 3/8"-16	9X13
21	Clutch Control Bracket	75412Z	52	Pivot Arm Assembly	75508
22	Clutch Lever	75411Z	53	Hex Bolt 3/8"-16X1 1/4"	1X97
23	Shoulder Bolt 5/16"-18X11/16"	9X8	54	Frame Extension Assembly	75507
24	Grip	20476	55	Pin	75335
25	Guide Bracket-L.H.	75039	56	Adjuster Lever	75506
26	Bracket Belt Guide & Idler	75442	57	Washer	10851Z
27	Flange Locknut 3/8"-16	15X84	58	Lockwasher	18X30
28	Hex Bolt 1/4"-20X7/8"	1X95		Instruction Book	F-6818
29	Woodruff Key No. 61	21539		Parts Bag Ass'y	75454

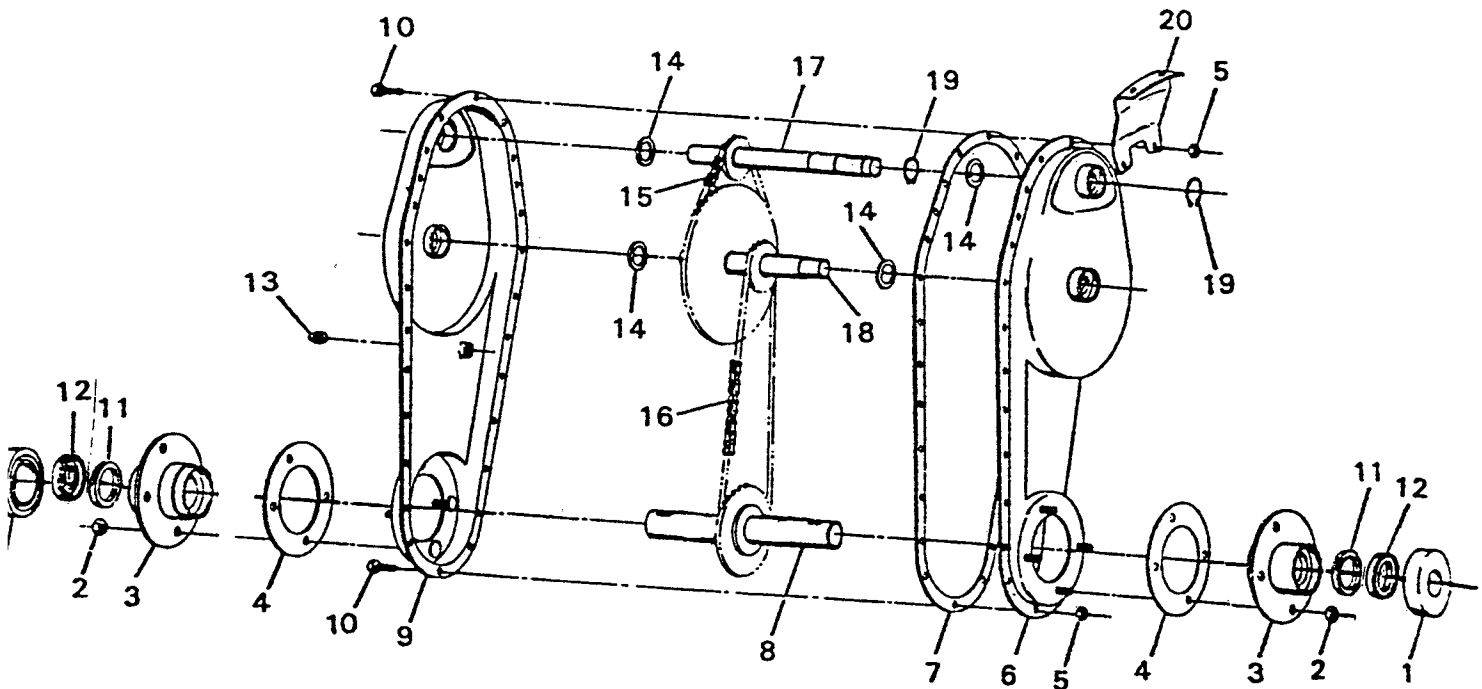
*Not Illustrated.

†NOTE: The Model Type and Code Number of your Engine is stamped on the Blower Housing. Replacement parts may be obtained from the nearest Briggs & Stratton Service Center listed in the yellow pages of the Telephone Directory.

**For service to the transmission see your nearest authorized service center by the manufacturer of this unit listed in the yellow pages of the Telephone Directory.

Transmission

MODEL 75199 — 75407



KEY NO.	MODEL 75199 PART NO.	MODEL 75407 PART NO.	DESCRIPTION
1	75014	75014	Dust Cap
2	15X88	15X88	Flange Locknut (.31-18NC)
3	75194	75194	Flange and Bearing Assembly
4	75015	75015	Flange Gasket
5	15X89	15X89	Flange Locknut (.25-20NC-2)
6	75033	75432	Left Hand Drive Housing and Bearing Assembly
7	75030	75030	Drive Housing Gasket
8	75203	75403	Tine Shaft Assembly
9	75032	75433	Right Hand Drive Housing and Bearing Assembly
10	1X119	1X119	Hex Bolt (.25-20NCX.625 Grade 8)
11	75013	75013	Felt Washer
12	75029	75029	Rubber Seal
13	75088	75088	Plug-Transmission Oil
14	75031	75031	Thrust Washer
15	75115	75415	Chain and Link Assembly
16	75114	75414	Chain and Link Assembly
17	75139	75017	Input Shaft Assembly (for 75165)
18	75016	75016	Idler Shaft Assembly
19	11X7	11X7	Retainer Ring (.625 D Shaft)
20	75104	75442	Rear Belt Guard Bracket