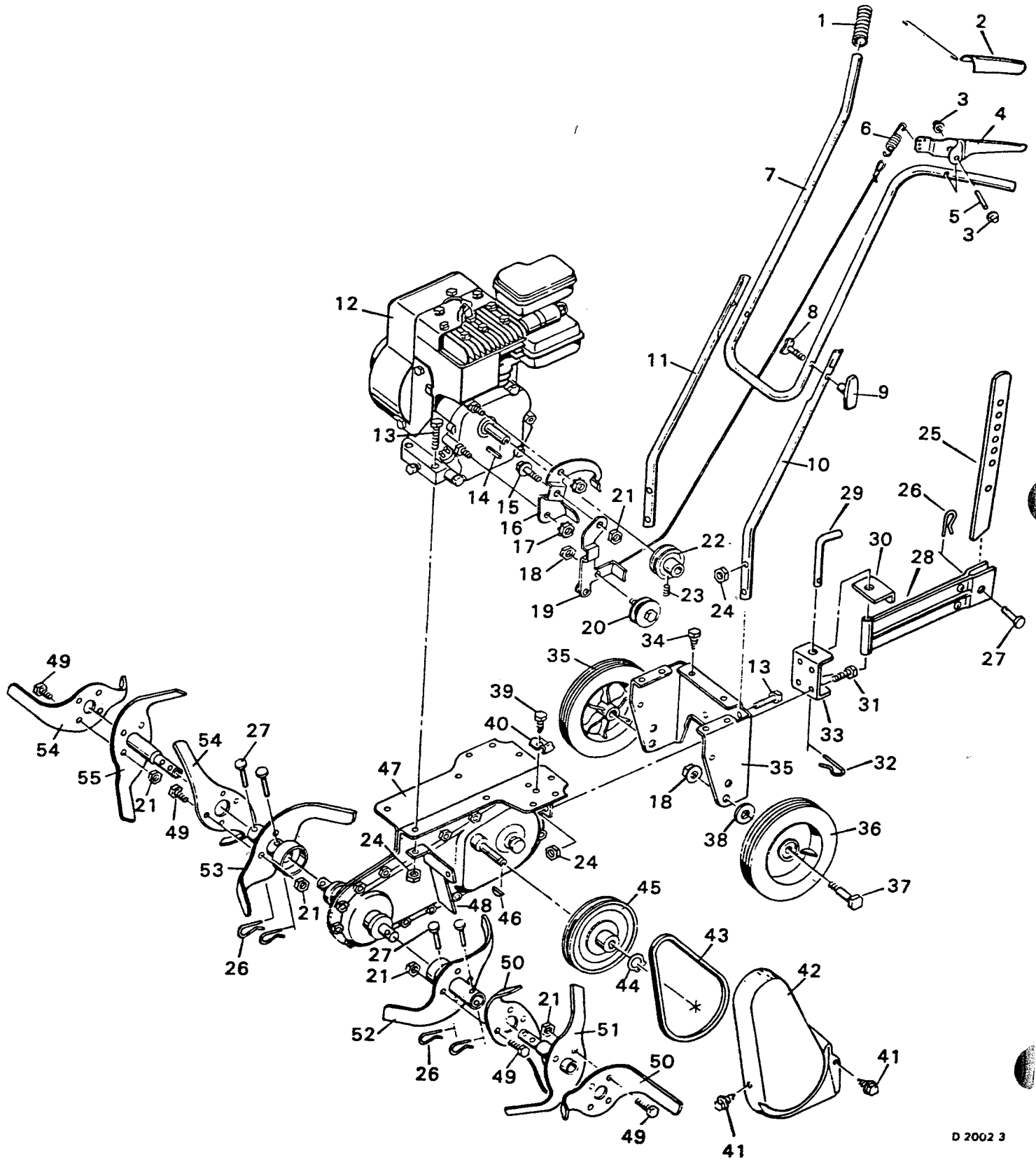


MODEL 5-10030

REPLACEMENT PARTS CHAIN DRIVEN SINGLE SPEED 3 HP TILLER 11", 22", 24" WIDTH



D 2002 3

PARTS LIST

MODEL 5-10030

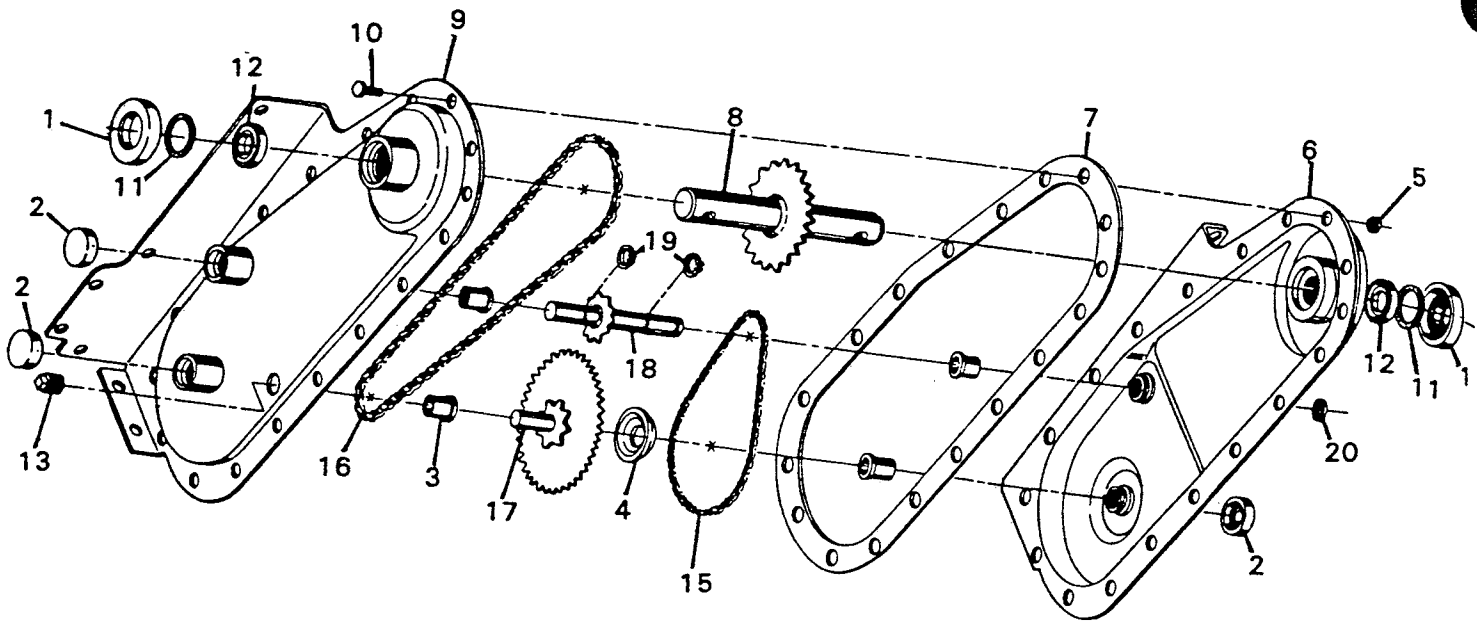
KEY NO.	DESCRIPTION	PART NO.	KEY NO.	DESCRIPTION	PART NO.
1	Grip	20171	31	Hex Bolt 5/16"-18X3/4"*	1X91
2	Vinyl Cover	75456	32	Cotter Pin	31X1
3	Push on Cap	28X42	33	Bracket, Drag Stake*	75397
4	Clutch Lever	75077Z	34	Screw*	26X49
5	Pin, Clutch Lever	75087Z	35	Rear Plate*	75349
6	Extension Spring	165X28	36	Wheel and Tire	20104
7	Handle, Upper	75350C	37	Shoulder Bolt	9X10Z
8	Bolt, Contour Head	20129Z	38	Washer	10851Z
9	Knob, Folding Handle	20266	39	Screw	26X195
10	Handle, Lower Left	75363C	40	Cable Guide	21953Z
11	Handle, Lower Right	75362C	41	Screw	26X214
12	Engine †	-----	42	Belt Guard	75387
13	Hex Bolt 5/16"-18X1 1/2"	1X102	43	Belt	37X46
14	Square Key 3/16"X1"	75369	44	Retainer Ring	11X7
15	Shoulder Bolt	9X2	45	Transmission Pulley	20614
16	Support, Idler	75388Z	46	Woodruff Key No. 61	21539
17	Keps Nut 1/4"-20	15X66	47	Transmission Assembly	75390
18	Flange Locknut 3/8"-16	15X84	48	Bracket Assembly	75392Z
19	Bracket, Idler and Clutch Cable	407300	49	Hex Bolt 1/4"-20X5/8"	1X38
20	Idler Pulley	75367	50	Tine	75333
21	Flange Locknut 1/4"-20	15X89	51	Tine and Hub Assembly, Left Outside	75343
22	Pulley, Engine	75386	52	Tine and Hub Assembly, Left Inside	75341
23	Set Screw	23X48	53	Tine and Hub Assembly, Right Inside	75340
24	Flange Locknut 5/16"-18	15X88	54	Tine	75334
25	Drag Stake	75395	55	Tine and Hub Assembly, Right Outside	75342
26	Hair Pin	75336		Owner's Manual	F-5640
27	Pin	75335		Parts Bag Assembly	75398
28	Tail Piece	75396			
29	Pin, Tail Piece	75391Z			
30	Lock, Drag Stake	75393Z			

NOTE: These parts, shown with an asterisk (*) are included with the transmission key no. 47. See page 13 for the other parts to the transmission.

NOTE: The engine model, type, and code numbers are on the engine. All parts to the engine are available from a Briggs and Stratton Authorized Service Center. See the yellow pages under, "Engines, Gasoline" or "Gasoline Engines" in the telephone directory.

MODEL 75390

Transmission



D 2028-1

KEY NO.	PART NO.	DESCRIPTION
1	75014	Dust Cap (2)
2	75034	Bearing Cap
3	75326	Bearing (Upper)
4	75358	Washer (Formed)
5	15X89	Flange Locknut (18)
6	75303	L.H. Housing Assembly
7	75301	Gasket
8	75309	Tine Shaft Assembly
9	75302	R.H. Housing
10	1X119	Bolt (18)
11	75013	Felt Washer
12	75029	Seal (1 inch shaft)
13	75088	Pipe Plug-Transmission Oil
15	75318	Chain (Short)
16	75320	Chain (Long)
17	75315	Sprocket Assembly
18	75312	Input Shaft
19	11X7	Retainer Ring
20	75085	Oil Seal (0.625 Shaft)
--	75458	Tine Shaft Bearing (Not Shown)