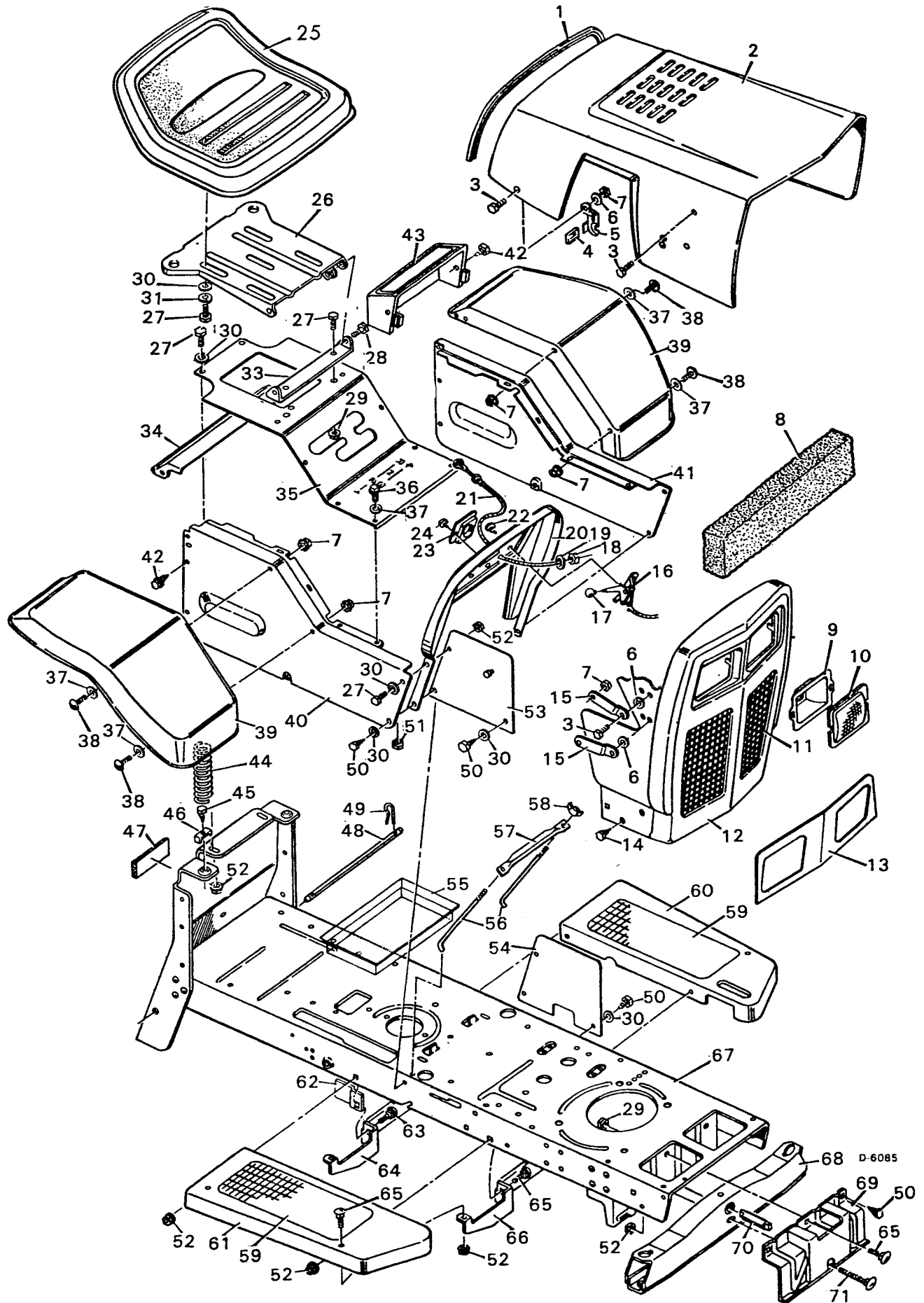


MODEL 4-39003 & 4-39004

BODY REPLACEMENT PARTS

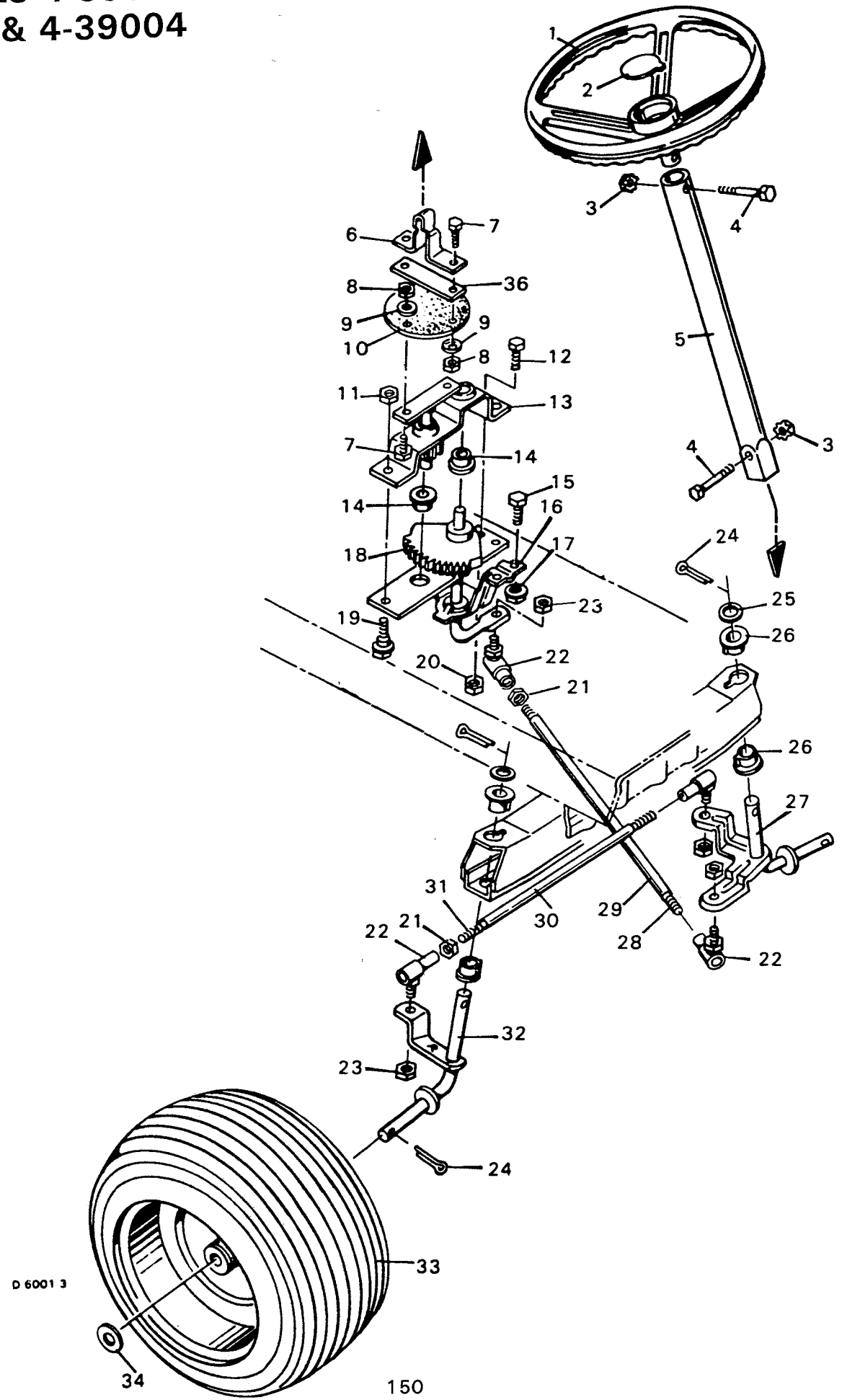


KEY NO.	DESCRIPTION	PART NO.	KEY NO.	DESCRIPTION	PART NO.
1	Edge Trim, Hood*	21765	36	Hex Bolt 1/4" 20X5/8"	1X38
2	Hood Assembly	24087	37	Washer	17X37Z
3	Machine Screw No. 10 24x5/8"*	4X21Z	38	Machine Screw No. 24X3/4"	4X67
4	Grip, Hood Latch*	21434	39	Fender	23006
5	Right Hood Latch*	21798Z	40	Right Side Panel	90660
	Left Hood Latch*	21799Z	41	Left Side Panel	90661
6	Washer*	17X17Z	42	Screw	26X214
7	Hex Nut No. 10 24*	15X81	43	Battery Cover	407310
8	Heat Baffle, Foam	403154	44	Seat Spring	164X13
9	Reflector, Headlight	90009C	45	Screw	26X49
10	Lens	90082	46	Spring Retainer	90014
11	Left Grille Screen	24254E	47	Reflector, Rear	23069
	Right Grille Screen	24089E	48	Drawbar	23054
12	Grille Assembly	90668	49	Hair Pin	31X1
13	Headlight Trim	90654C	50	Screw	26X197
14	Screw	26X202	51	Keps Nut 1/4" 20	15X66
15	Pivot Bar*	23046	52	Flange Nut 5/16" 18	15X79Z
16	Throttle Control	23844PA	53	Right Side Plate	24344
17	Knob, Throttle Control	20339	54	Left Side Plate	23293
18	Hex Nut 3/8" 24	15X33	55	Battery Tray	24156
19	Lockwasher	18X31	56	Battery Clamp Rod	21762Z
20	Control Panel	24457	57	Battery Clamp	23779Z
21	Choke Cable	23780	58	Flange Locknut 1/4" 20	15X82
22	Screw	26X159	59	Mat, Running Board	21710
23	Bearing, Steering Post	21707	60	Left Running Board	23823
24	Screw	26X186	61	Right Running Board	23822
25	Seat 4-39004	90421	62	Wiring Shield	24321
	Seat 4-39003	90477	63	Carriage Bolt 5/16" 18X3/4"	2X64
26	Seat Support	90032	64	Running Board Support Assembly	24253
27	Hex Bolt 5/16" 18X5/8"	1X45	65	Carriage Bolt 5/16" 18X5/8"	2X53
28	Shoulder Bolt 3/8" 16X7/8"	9X15	66	Running Board Support	24105
29	Flange Locknut 5/16" 18	15X88	67	Frame Channel	402054
30	Washer	17X47Z	68	Front Axle Assembly	21441
31	Lockwasher	18X16	69	Axle Hanger Assembly	23845
33	Pivot Bracket, Seat	90663	70	Pivot Pin	21469
34	Rear Insert	23026	71	Carriage Bolt 3/8" 16X3"	2X60
35	Top Panel	90662		Parts List	F-6831
				Instruction Book	F-6829
				Tractor Parts Bag	24467
				42" Mower Parts Bag	23242

NOTE: Parts shown with an, (*) in the description are included when ordering key number 2.

MODELS 4-39003 & 4-39004

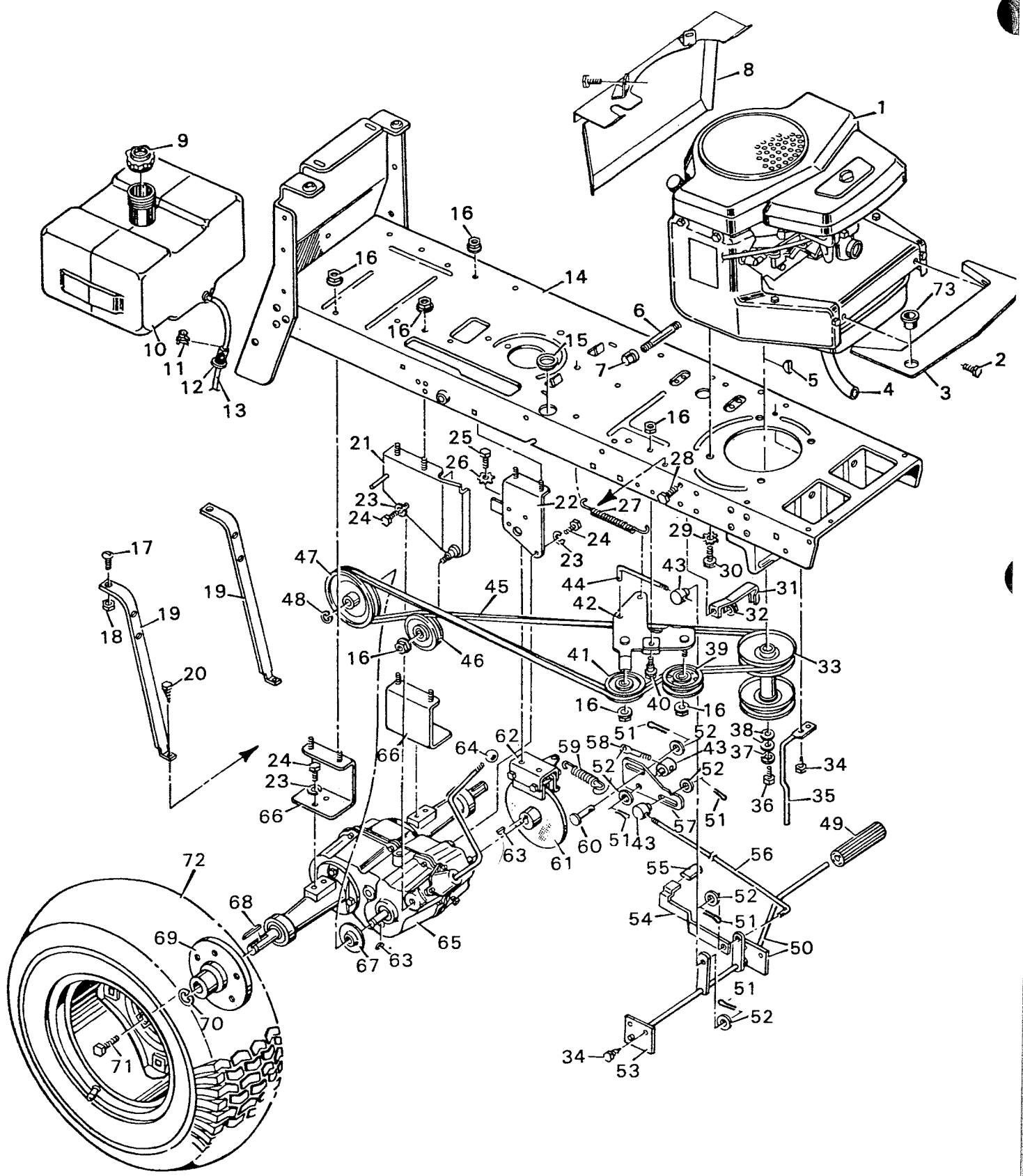
STEERING REPLACEMENT PARTS



**STEERING
REPLACEMENT PARTS****MODELS 4-39003 & 4-39004**

KEY NO.	DESCRIPTION	PART NO.
1	Steering Wheel	21688
2	Cap, Steering Wheel	24350
3	Keps Nut 5/16" 18	15X76
4	Hex Bolt 5/16" 18X1 3/4"	1X75
5	Steering Post	24345C
6	Upper Steering Coupling	21489
7	Hex Bolt 1/4" 20X7/8"	1X95
8	Locknut 1/4" 20	15X67
9	Formed Washer	23039
10	Steering Disc	21532
11	Flange Locknut 3/8" 16	15X84
12	Hex Bolt 5/16" 18X5/8"	1X45
13	Steering Gear Bracket Assembly	21492
14	Bearing	20587
15	Hex Bolt 5/16" 18X5/8"	1X45
16	Steering Bracket	21693
17	Flange Locknut 5/16" 18	15X79
18	Steering Gear Assembly	21692
19	Shoulder Bolt	9X12
20	Flange Locknut 5/16" 18	15X88
21	Hex Nut	15X61
22	Steering Ball Joint	21031
23	Flange Locknut 3/8" 24	15X87
24	Cotter Pin	30X49
25	Washer	17X83Z
26	Spindle Bearing	23820
27	Left Spindle Assembly	24229
28	Drag Link Rod	21482
29	Sleeve, Tie Rod	156X1
30	Sleeve, Drag Link Rod	156X2
31	Tie Rod	21475
32	Right Spindle Assembly	24228
33	Wheel and Tire Assembly	24404
*	Wheel (Only)	24413E
*	Tire (Only)	24410
*	Valve Stem and Cap	24373
*	Wheel Bearing	24367
*	Tire Tube	407048
34	Washer	17X83Z
36	Coupling Plate	21490

NOTE: These parts, shown with an (), are included with key no. 33. For replacement parts, always give the name on the side of the tire so that the tire tread pattern will be the same.



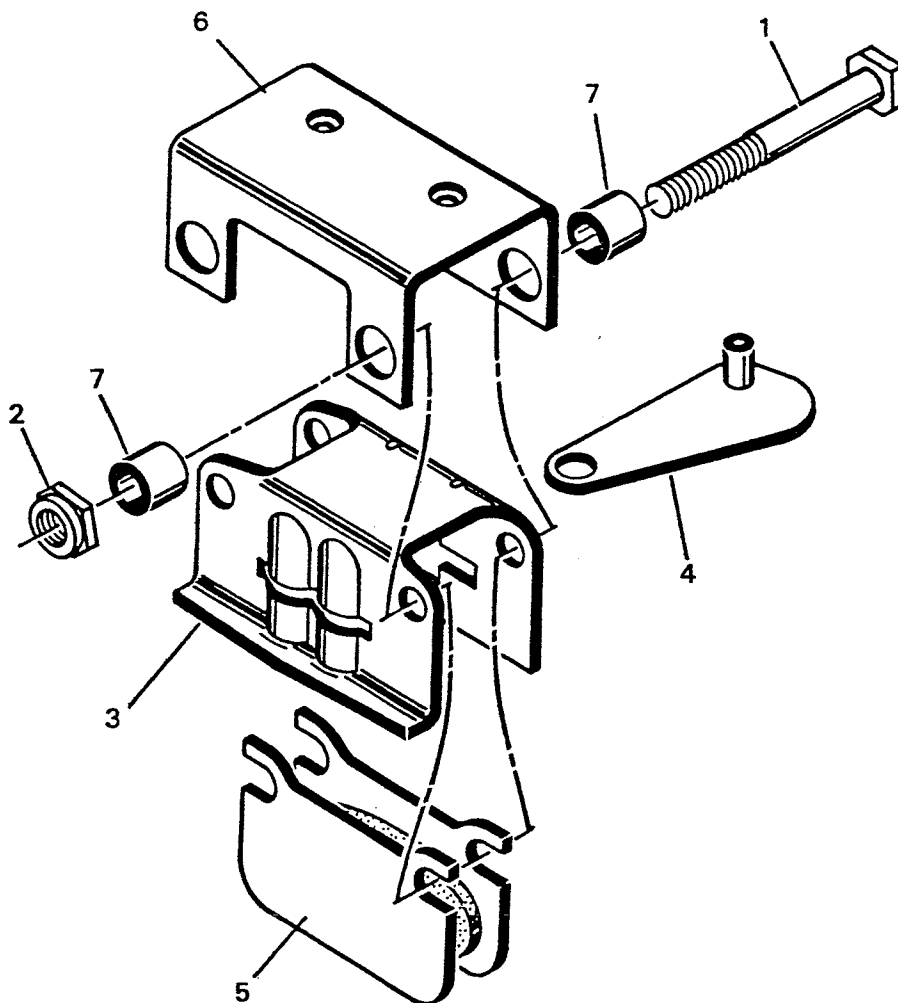
DRIVE REPLACEMENT PARTS MODELS 4-39003 & 4-39004

KEY NO.	DESCRIPTION	PART NO.	KEY NO.	DESCRIPTION	PART NO.
1	Engine***	----	41	Idler Pulley, Clutch	20613
2	Screw	26X214	42	Idler Bracket Assembly	24250
3	Heat Baffle, Front	23869E	43	Adjustable Nut	21920
4	Exhaust Pipe Assembly	23743E	44	Clutch Rod	21918Z
5	Woodruff Key Number 6	20062	45	Drive Belt	37X26
6	Oil Drain Extension	23783	46	Backside Idler Pulley	23238
7	Oil Drain Cap	21651	47	Drive Pulley	23052
8	Heat Baffle, Rear (4-39004)	24440	48	Retainer Ring	11X5
9	Fuel Cap	23787	49	Pedal, Clutch and Brake	21544
10	Fuel Tank, Complete	23881	50	Lever Assembly, Clutch and Brake	24251
11	Hose Clamp	23713	51	Cotter Pin	30X20
12	Fuel Filter	24159	52	Washer	17X53Z
13	Fuel Line, 34 Inch	23714	53	Support Bracket	23358
14	Frame Channel	402054	54	Parking Brake Arm	24245Z
15	Grommet	21268	55	Grip, Parking Brake	24235
16	Flange Locknut 3/8" 16	15X84	56	Brake Rod	23728Z
17	Carriage Bolt 1/4" 20X3/4"	2X67	57	Link Plate, Brake	24432
18	Flange Locknut 1/4" 20	15X89	58	Adjuster Rod	23735Z
19	Fuel Tank Support	24331	59	Spring, Brake	165X41
20	Screw	26X197	60	Clevis Pin	23721
21	Right Front Transaxle Bracket	24244	61	Disc and Hub Assembly	23013
22	Left Front Transaxle Bracket	23023	62	Disc Brake Unit	23019
23	Lockwasher	18X31	63	Woodruff Key Number 9	20697
24	Hex Bolt 3/8" 16X3/4"	1X85	64	Knob, Shift Lever	20844
25	Hex Bolt 5/16" 24X5/8"	1X63	65	Transaxle Peerless 2348	**
26	Star Washer	19X6	66	Rear Transaxle Bracket	23005
27	Spring, Drive Idler	165X22	67	Extruded Washer	23041Z
28	Hex Bolt 1/4" 20X5/8"	1X38	68	Square Key 1/4"	24039
29	Star Washer	19X8	69	Wheel Hub	23020
30	Hex Bolt, Engine Mount	20103	70	Retainer Ring	11X6
31	Belt Guide	23826Z	71	Hex Bolt 7/16" 20X1"	1X80
32	Keps Nut 1/4" 20	15X66	72	Rear Wheel and Tire Assembly	
33	Stack Pulley Assembly	23725Z		Size: 23X8-1/2 12	23320
34	Screw	26X49		Size: 23X9-1/2 12	24400
35	Belt Guide, Stack Pulley	23789Z	*	Tire Only: For 23X8-1/2 12	407228
36	Hex Bolt 3/8" 24X1"	1X20	*	Tire Only: For 23X9-1/2 12	407920
37	Internal Tooth Lockwasher	19X39	*	Tube Only 4-39003	407051
38	Washer	10851Z	*	Tube Only 4-39004	407052
39	Idler Pulley	21409	*	Wheel Only	407226
40	Shoulder Bolt	9X12	*	Valve Stem and Cap	400162
			73	Bushing	23857

NOTE: These parts, shown with an (*), are included when ordering key number 72. For replacement parts, always give the name on the side of the tire so that the tire tread pattern will be the same.

**NOTE: Replacement parts for the transmission are available from a Tecumseh Authorized Service Center. See the yellow pages under, "Engines, Gasoline" or "Gasoline Engines" in the telephone directory.

***NOTE: The engine model, type, and code numbers are on the engine. All parts to the engine are available from a Briggs and Stratton Authorized Service Center. See the yellow pages under "Engines, Gasoline" or "Gasoline Engines" in the telephone directory.

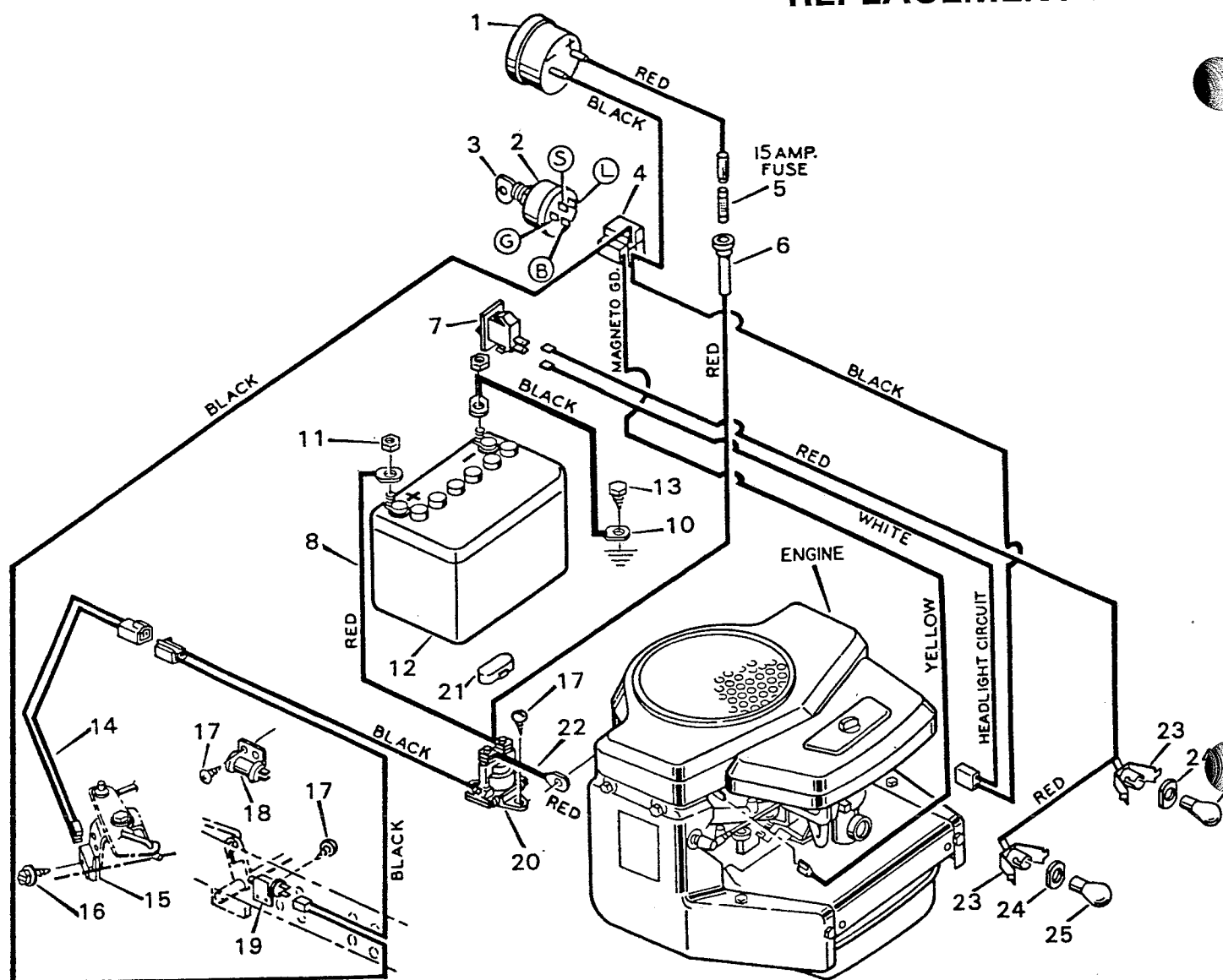


D-5226

KEY NO.	DESCRIPTION	PART NO.
1	Hex Bolt	402001
2	Locknut	402002
3	Bracket	402003
4	Lever Assembly	402004
5	Stator Assembly	402008
6	Bracket	402006
7	Spacer	402007
	Complete Disc Brake Keys 1 to 7	23019

MODELS 4-39003 & 4-39004

WIRING DIAGRAM REPLACEMENT PARTS

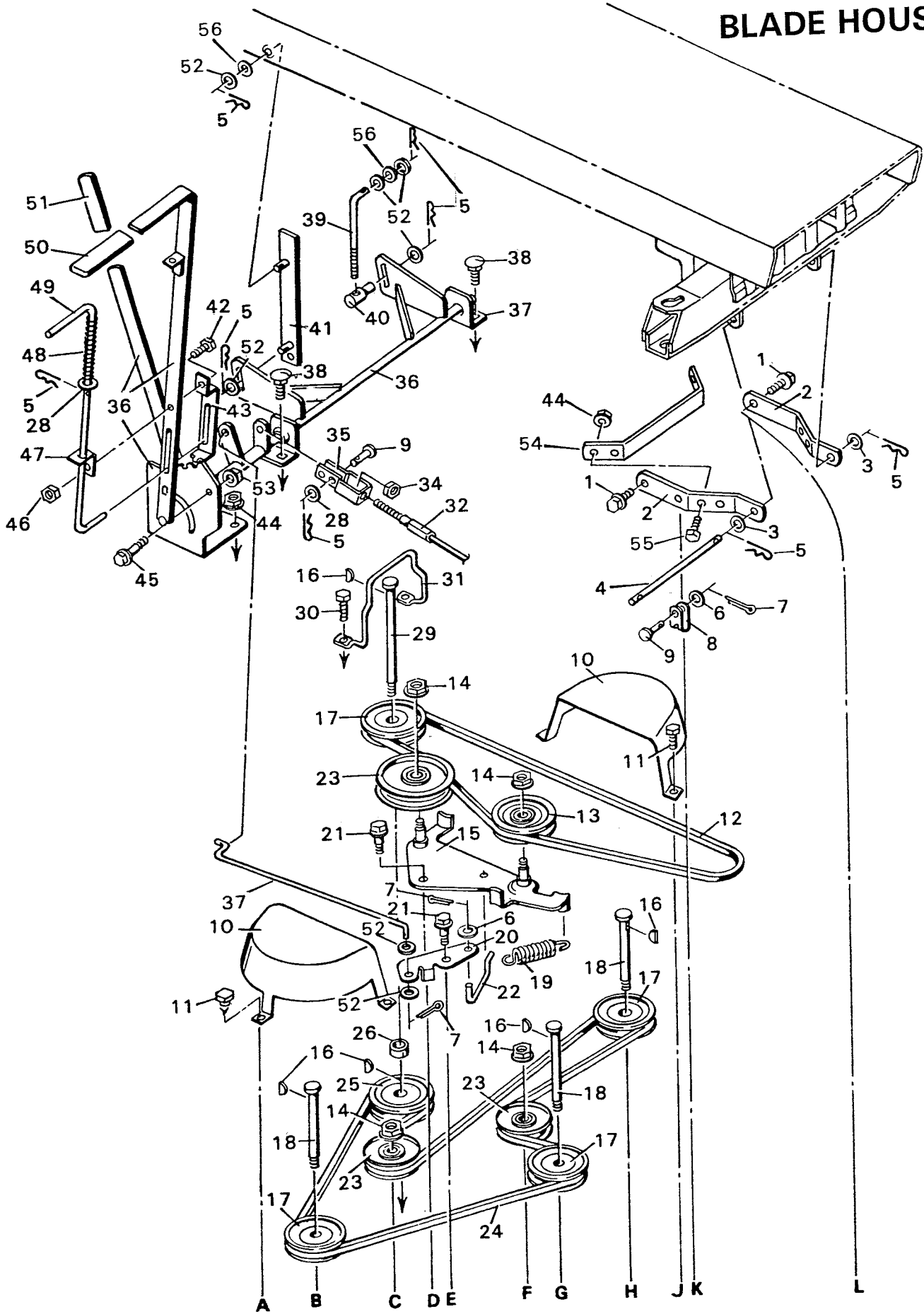


D-5404

KEY NO.	DESCRIPTION	PART NO.	KEY NO.	DESCRIPTION	PART NO.
1	Ammeter Assembly	21057PA	13	Screw	26X49
2	Ignition Switch and Key	21064PA	14	Jumper Wire	23983
3	Key Only	20729	15	Limit Switch, Blade Housing	24527
4	Wiring Harness	24460	16	Screw	26X211
	Wiring Harness Clamp	21980	17	Screw	26X185
5	Fuse	23752	18	Limit Switch, Frame	23029
6	Fuse Holder	407058	19	Limit Switch, Clutch	24273
7	Light Switch	90647	20	Solenoid	24285
8	Battery Cable with Fuse Wire (Red)	24X21	21	Cover, Solenoid	90565
10	Battery Cable (Black)	24X6	22	Solenoid Wire (Red)	24X16
11	Keps Nut 1/4" 20	15X66	23	Light Socket Assembly	90155
12	Battery 39 AMP Hour Electrolyte (Battery Acid) Battery Caps	24106 90665 400262	24	Washer, Light Socket	90228
			25	Headlight Bulb	90084

MODELS 4-39003 & 4-39004

REPLACEMENT PARTS TOP HALF BLADE HOUSING



D-5113-3

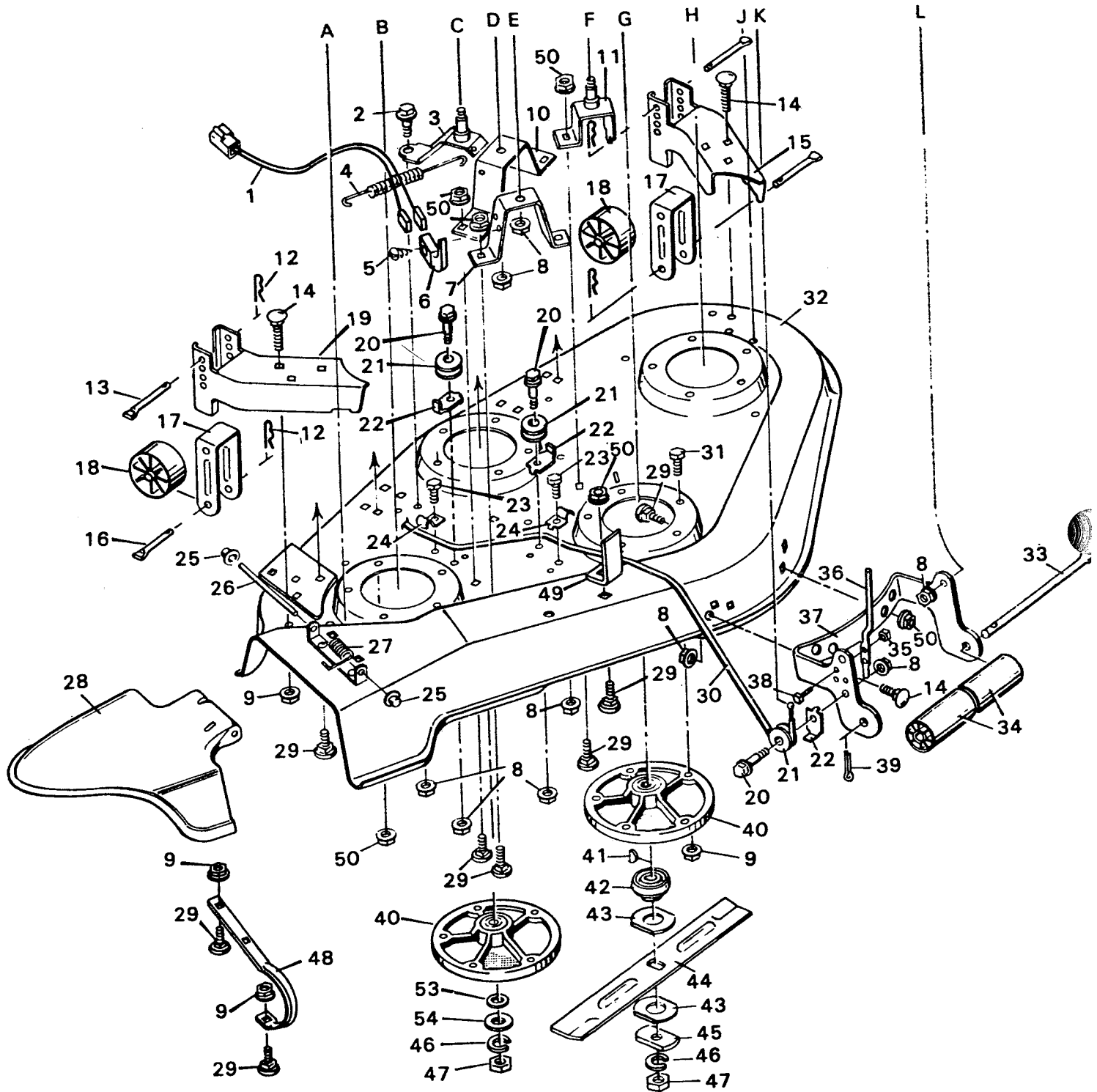
REPLACEMENT PARTS**MODELS 4-39003 & 4-39004****BLADE HOUSING****TOP HALF**

KEY NO.	DESCRIPTION	PART NO.	KEY NO.	DESCRIPTION	PART NO.
1	Shoulder Bolt	9X14	31	Belt Guide	23751Z
2	Support Arm	23185	32	Lifter Cable	24470
3	Washer	17X57Z	34	Hex Nut 5/16" 18	15X2
4	Pull Pin	21912Z	35	Adjusting Clevis	24471Z
5	Hair Pin	20692	36	Lifter Assembly †	24260
6	Washer	17X47Z	37	Lifter Support †	23184
7	Cotter Pin	30X20	38	Carriage Bolt 5/16" 18X3/4" †	2X53
8	Clevis	24073Z	39	Adjuster Rod, 7 5/16" Long	23824Z
9	Clevis Pin	29X93		Adjuster Rod, 6 1/4" Long	23275Z
10	Pulley Cover	23231	40	Adjustable Nut	21920
11	Screw	26X214	41	Right Hanger Bracket, 6 3/8" Long	23204Z
12	Belt, Blade Drive	37X40		Right Hanger Bracket, 5 1/2" Long	23188Z
13	Idler Pulley	23211	42	Hex Bolt 1/4" 20X7/8"	1X95
14	Flange Locknut 3/8"-16	15X84	43	Guide Bracket	23192Z
15	Blade Drive Idler Assembly	23179Z	44	Flange Locknut 5/16" 18 †	15X88
16	Woodruff Key No. 6	20062	45	Shoulder Bolt 3/8" 16	9X13
17	Jackshaft Pulley	20615	46	Keps Nut 1/4" 20	15X66
18	Jackshaft, Short	20616	47	Guide Bracket	23193Z
19	Spring, Blade Drive	165X43	48	Lifter Spring	164X4
20	Engagement Link	23226Z	49	Lifter Latch	23194Z
21	Shoulder Bolt 3/8"-16X7/8"	9X12	50	Grip, Lifter Latch	23222
22	Engagement Link Rod	23228Z	51	Grip, Engagement Lever	21249
23	Idler Pulley, Backside	23238	52	Washer	17X124
24	Belt, Cross Drive	37X22	53	Flange Nut 3/8" 16	15X68Z
25	Jackshaft Pulley	23739	54	Hanger Brace	24472Z
26	Spacer	23213Z	55	Hex Bolt 5/16" 18X3/4"	1X91
27	Link Rod	23232Z	56	Washer	10851Z
28	Washer	17X53Z			
29	Jackshaft	23180			
30	Hex Bolt 5/16" 18X1"	1X84			

NOTE: These parts, shown with an (†) in the description, are included with the blade housing. See the Lower Half of the Blade Housing.

MODELS 4-39003 & 4-39004

REPLACEMENT PARTS BLADE HOUSING LOWER HALF



D-5118-4

REPLACEMENT PARTS**MODELS 4-39003 & 4-39004****BLADE HOUSING****LOWER HALF**

KEY NO.	DESCRIPTION	PART NO.	KEY NO.	DESCRIPTION	PART NO.
1	Jumper Wire	23983	31	Hex Bolt 5/16" 18X3/4"	1X84
2	Shoulder Bolt 3/8"-16X7/8"	9X15	32	Blade Housing Assembly	24307
3	Cross Drive Idler Assembly	23178Z	33	Roller Axle	23186Z
4	Spring, Cross Drive	165X19	34	Roller	23203
5	Screw	26X211	35	Flange Locknut 1/4" 20	15X89
6	Limit Switch	24527	36	Belt Guide, Curved	24071Z
7	Engagement Link Support †	23241		Belt Guide, Straight	23790Z
8	Flange Locknut 3/8"-16	15X84	37	Roller Support †	24009
9	Flange Locknut 5/16"-18 †	15X88	38	Hex Bolt 1/4" 20X7/8"	1X95
10	Idler Support †	23240	39	Cotter Pin	30X49
11	Fixed Idler Assembly †	23177	40	Jackshaft Housing	24384
12	Hair Pin	20692	41	Woodruff Key, Number 6	20062
13	Long Axle, Gauge Wheel	23259Z	42	Blade Adapter	20617
14	Carriage Bolt 5/16"-18X2 1/2" †	2X58	43	Washer	21673Z
15	Bracket, Left Gauge Wheel †	23279	44	Blade	24458
16	Short Axle, Gauge Wheel	23258Z	45	Blade Washer	20663
17	Retainer, Gauge Wheel	23260Z	46	Lockwasher	18X27
18	Gauge Wheel	23257	47	Hex Nut 1/2" 20	15X72
19	Bracket, Right Gauge Wheel †	23278	48	Skid †	24070
20	Shoulder Bolt 3/8" 16	9X13	49	Deck Stop †	23782
21	Nylon Pulley	23187	50	Flange Nut 5/16" 18 †	15X79
22	Cable Guide	23191Z	53	Washer	17X140
23	Screw	26X214	54	Washer	17X141
24	Cable Guide	21953Z		Blade Housing Complete, Top and Bottom	403134
25	Push On Cap	28X23			
26	Deflector Rod	23173Z			
27	Torsional Spring	166X4			
28	Deflector, Blade Housing	23224			
29	Carriage Bolt 5/16" 18X3/4" †	2X53			
30	Lifter Cable	24470			

NOTE: These parts, shown with an (†) in the description, are included when ordering key number 32.