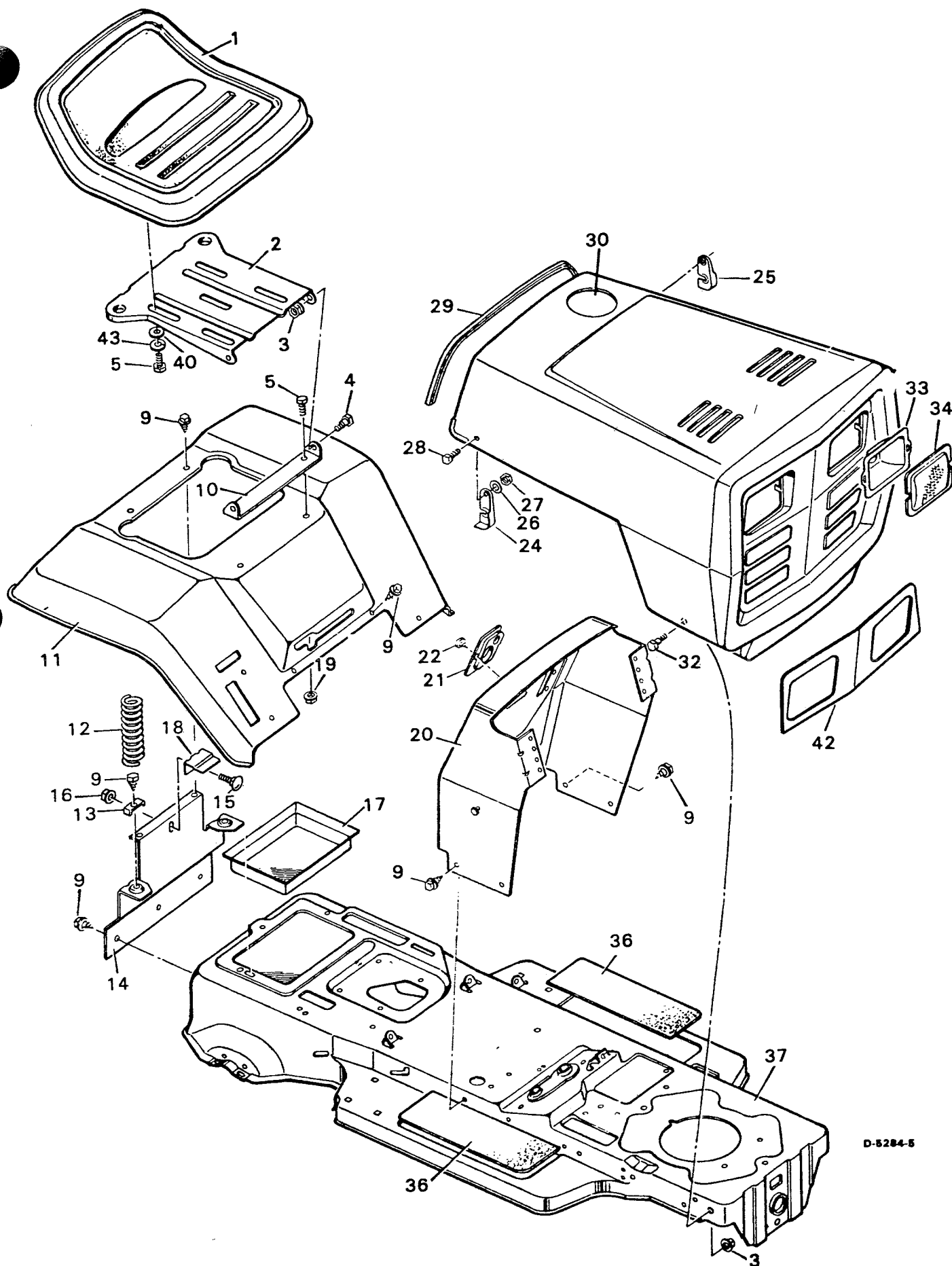


BODY PARTS ILLUSTRATION

MODEL 4-36508



D-5284-5

BODY PARTS

KEY NO.	DESCRIPTION	PART NO.
1	Seat	90368
2	Seat Support	90032
3	Flange Locknut 3/8"-16	15X84
4	Shoulder Bolt 3/8"-16X7/8"	9X15
5	Hex Bolt 5/16"-18X5/8"	1X45
9	Screw	26X49
10	Seat Pivot Bracket	90031
11	Seat Deck	90186
12	Spring	164X13
13	Spring Retainer	90014
14	Seat Deck Support	90633
15	Carriage Bolt	2X53
16	Keps Nut 5/16" 18	15X76
17	Battery Tray	24157
18	Battery Clamp	90632Z
19	Flange Locknut 5/16"-18	15X88
20	Dashboard Assembly	90641
21	Bearing - Steering Post	90081
22	Screw	26X186
24	Right Hood Latch*	90464Z
25	Left Hood Latch*	90465Z
26	Washer*	17X17Z
27	Hex Nut No. 10-24*	15X81
28	Machine Screw No. 10-24X1/2"*	4X20Z
29	Edge Trim*	90240
—	Hood & Grille Assembly - Complete With Hole	90470
32	Should Bolt 3/8"-16X7/8"	9X14
33	Reflector, Headlight	90009C
34	Lens, Headlight	90082
36	Mat - Foot Rest	90148
37	Frame Channel	90001
40	Washer	17X47Z
42	Headlight Trim	90159C
43	Lock Washer	18X16
	Parts List	F-7019
	Instruction Book	F-7017
	Parts Bag	90457

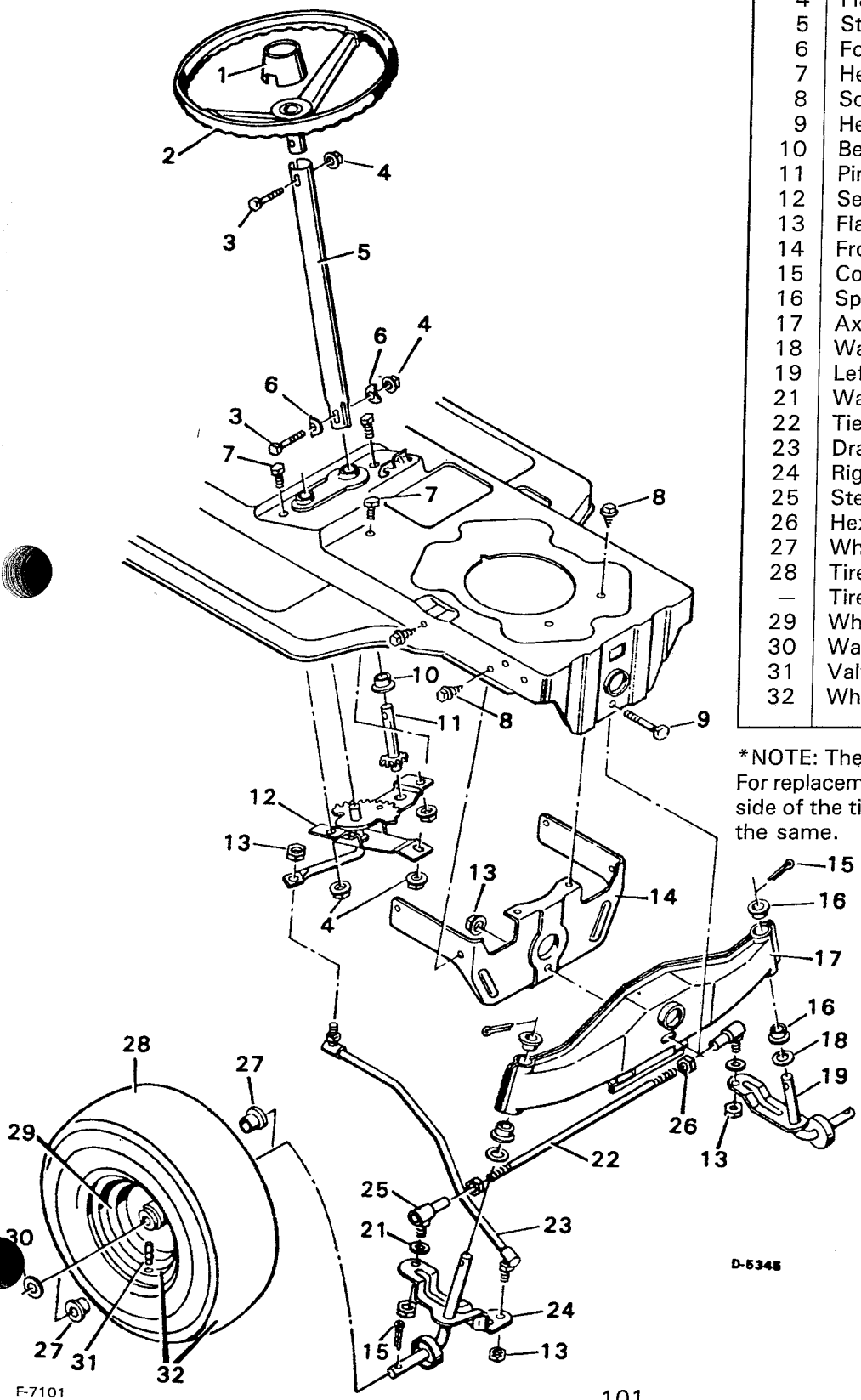
*NOTE: These numbers are included in with key no. 30.

REPLACEMENT PARTS STEERING PARTS

MODEL 4-36508

KEY NO.	DESCRIPTION	PART NO.
1	Cap, Steering Wheel	23573
2	Steering Wheel	90126
3	Hex Bolt 5/16"-18X1 1/2"	1X102
4	Flange Locknut	15X88
5	Steering Post	90130C
6	Formed Washer	17X132
7	Hex Bolt 5/16"-18X5/8"	1X45
8	Screw	26X49
9	Hex Bolt 3/8"-24X3 1/4"	1X101
10	Bearing	90096
11	Pinion Gear & Shaft	90132
12	Sector Gear Assembly	90025
13	Flange Locknut 3/8"-24	15X87
14	Front Axle Support	90002
15	Cotter Pin	30X49
16	Spindle Bearing	90035
17	Axle Assembly	90034
18	Washer	17X113
19	Left Spindle Assembly	90037
21	Washer	17X124
22	Tie Rod	21475
23	Drag Link Assembly	90041
24	Right Spindle Assembly	90036
25	Steering Ball Joint	21031
26	Hex Nut	15X61
27	Wheel Bearing*	24367
28	Tire Only*	24376
—	Tire Tube*	407047
29	Wheel Only*	24355E
30	Washer	17X83Z
31	Valve Stem & Cap*	24373
32	Wheel and Tire Assembly	24378

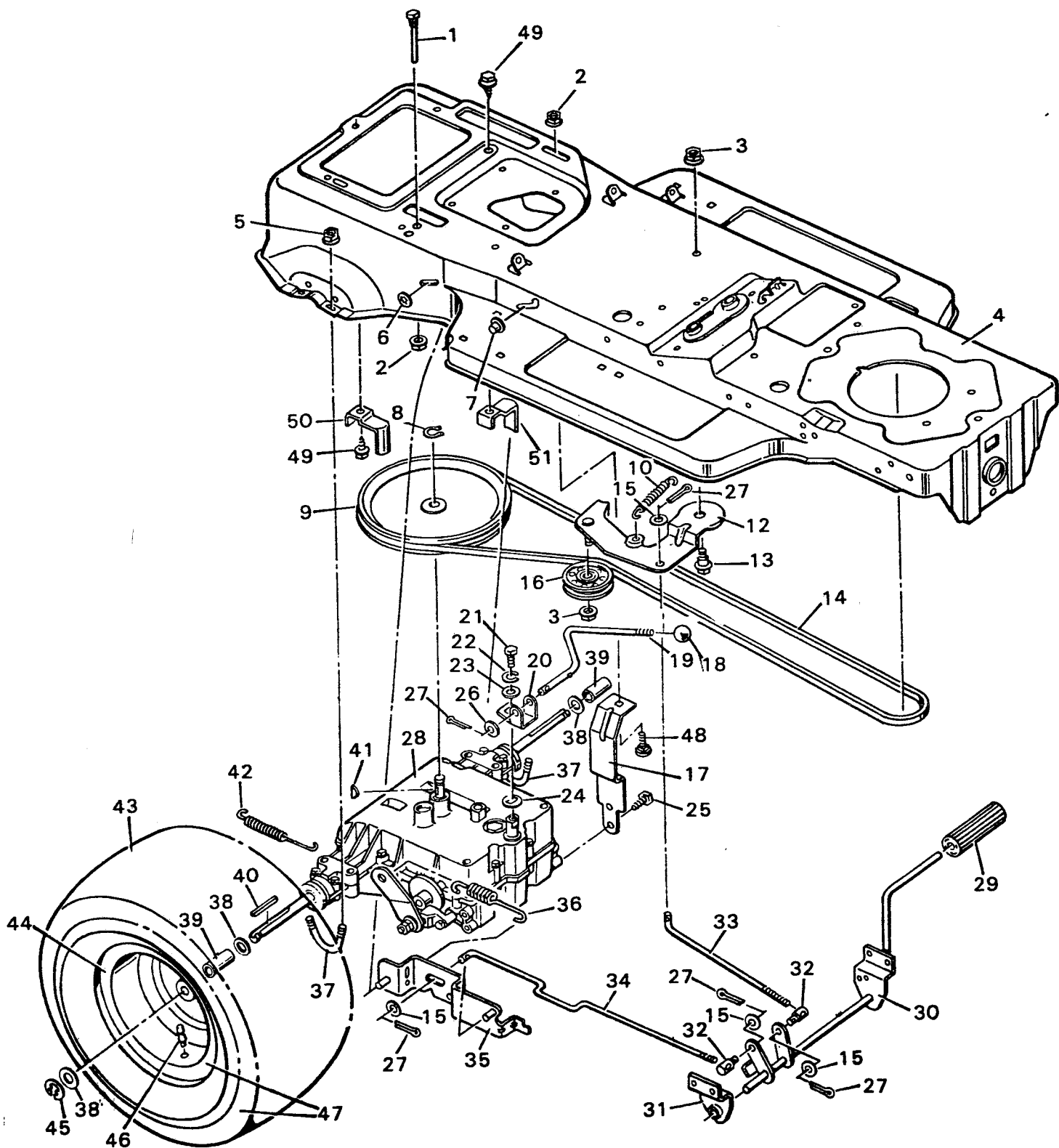
*NOTE: These Parts are included with key no. 32. For replacement parts, always give the name on the side of the tire so that the tire tread pattern will be the same.



D-5348

MODEL 4-36508

DRIVE PARTS ILLUSTRATION



D-5283-4

D-5396-1

DRIVE PARTS

KEY NO.	DESCRIPTION	PART NO.
1	Bolt, Belt Guide	20619
2	Flange Nut 5/16"-18	15X79
3	Flange Locknut 3/8"-18	15X84
4	Frame Channel	90001
5	Flange Locknut 5/16"-18	15X88
6	Push Nut	28X44
7	Cap Retainer, Parking Brake	28X48
8	Retainer Ring	11X7
9	Drive Pulley	90190
10	Extension Spring	165X31
12	Idler Bracket Assembly	90011Z
13	Shoulder Bolt 3/8"-16X7/8"	9X12
14	Drive Belt	37X45
15	Washer	17X53Z
16	Idler Pulley	21409
17	Transaxle Support	90173Z
18	Knob - Shift Lever	20739
19	Shift Lever	90670Z
20	Shifter Yoke	90183Z
21	Hex Bolt 1/4"-28X1/2"	1X82
22	Lockwasher	18X32
23	Washer	17X32Z
24	Washer	17X134
25	Screw	26X207
26	Washer	17X102Z
27	Cotter Pin	30X20
28	Transaxle † Peerless Model	814 OR
29	Clutch and Brake Pedal	21544
30	Lever Assembly	90027
31	Support Bracket	90013
32	Adjustable Nut	21920
33	Clutch Rod	90066Z
34	Brake Rod	90067Z
35	Brake Link Assembly	90068Z
36	Brake Spring	165X47
37	U-Bolt	90017Z
38	Transaxle Washer	21521
39	Axle Spacer	87X63Z
40	Square Key 3/16"X2"	21553
41	Woodruff Key No. 99	20697
42	Spring	165X34
43	Tire Only*	24375
—	Tire Tube*	407049
44	Wheel Only*	24351E
45	E-Ring	11X3
46	Valve Stem and Cap*	24373
47	Wheel and Tire Assembly	24377
48	Carriage Bolt 5/16"-18X3/4"	2X53Z
49	Screw	26X49
50	Belt Guide	90694Z
51	Belt Guide	90691Z

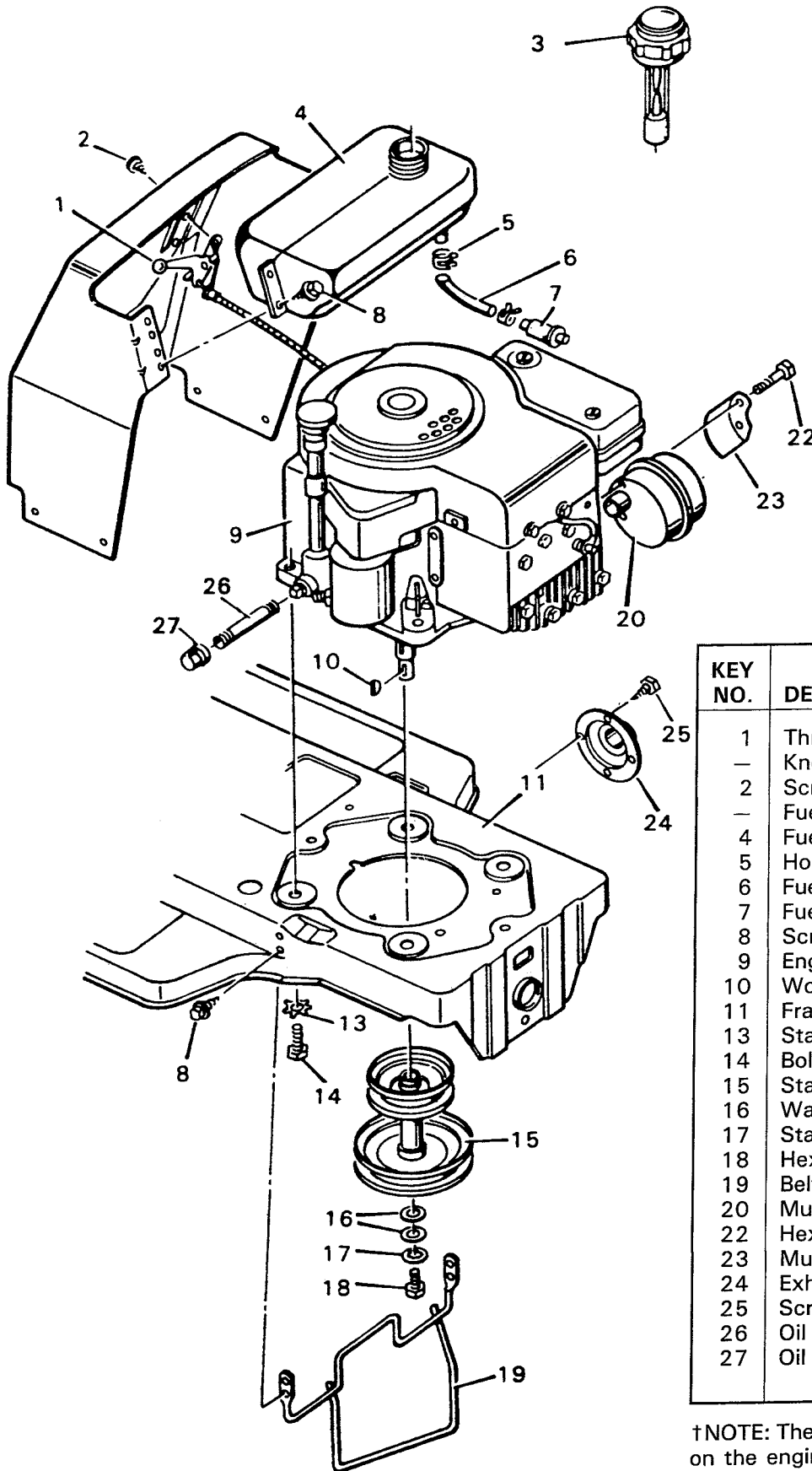
4150-2, FOOTE

*NOTE: These parts are included with key no. 47. For replacement parts, always give the name on the side of the tire so that the tire tread pattern will be the same.

†NOTE: Replacement parts for the transmission are available from a Tecumseh Authorized Service Center. See the yellow pages under, "Engines, Gasoline" or "Gasoline Engines" in the telephone directory.

MODEL 4-36508

**REPLACEMENT PARTS
ENGINE MOUNT**



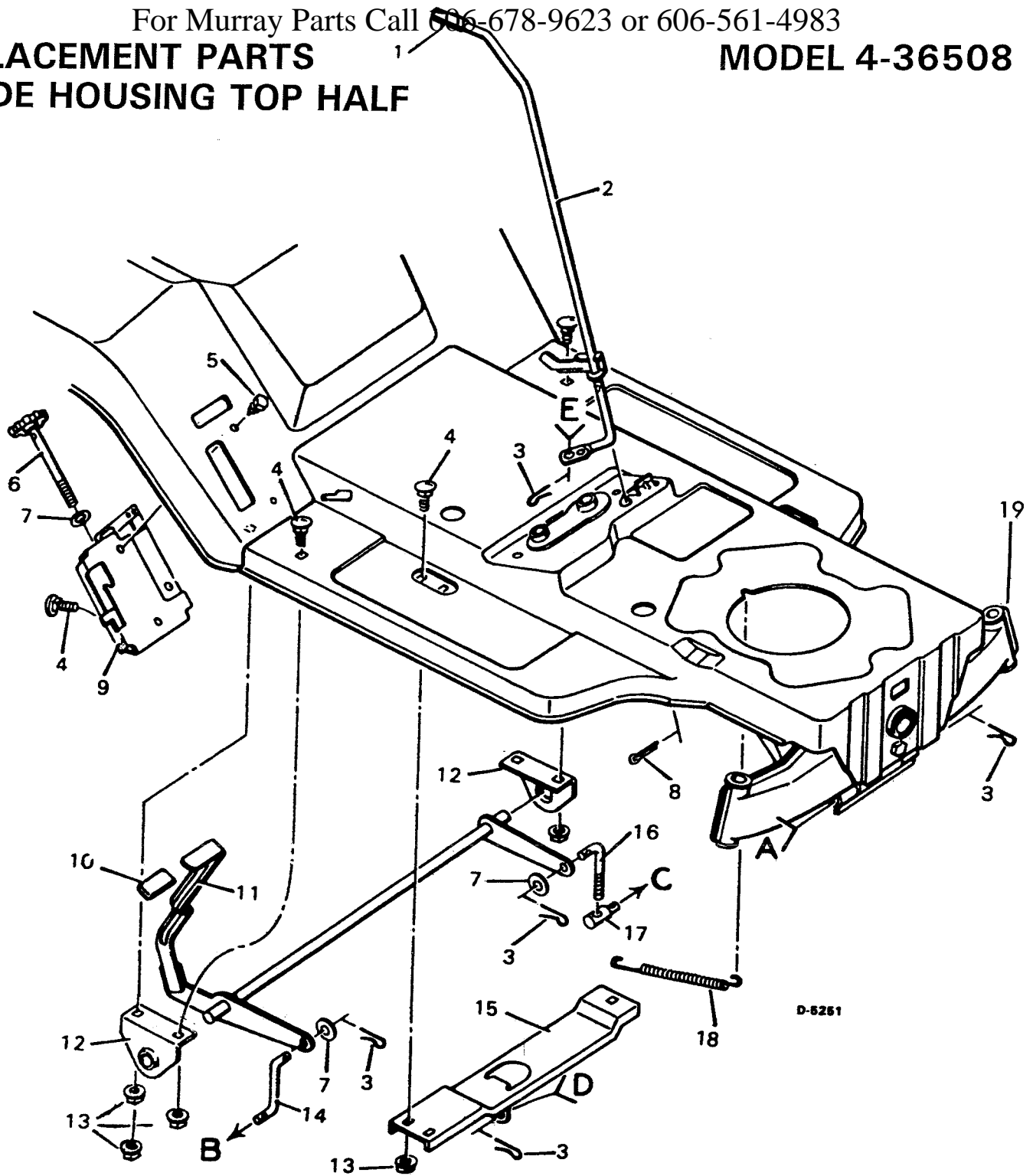
KEY NO.	DESCRIPTION	PART NO.
1	Throttle Control (Complete)	90095
—	Knob, Throttle Control	20339
2	Screw	26X159
—	Fuel Cap with gauge	24064
4	Fuel Tank	23300
5	Hose Clamp	23713
6	Fuel Line	90671
7	Fuel Filter	24159
8	Screw	26X214
9	Engine †	—
10	Woodruff Key No. 6	20062
11	Frame Channel	90001
13	Star Washer	19X8
14	Bolt - Engine Mount	20103
15	Stack Pulley Assembly	90329Z
16	Washer	10851Z
17	Star Washer	19X39
18	Hex Bolt 3/8"-24X1"	1X20
19	Belt Guide, Stack Pulley	90276Z
20	Muffler	90330PA
22	Hex Bolt 5/16"-18X3/4"	1X118
23	Muffler Heat Shield	90332
24	Exhaust Deflector	23740Z
25	Screw	26X203
26	Oil Drain Extension	24066
27	Oil Drain Cap	21651

† NOTE: The Engine Model, Type & Code Numbers are on the engine. All parts to the engine are available from a Briggs and Stratton Authorized Service Center. See the yellow pages under, "Engines, Gasoline" or "Gasoline Engines" in the telephone directory.

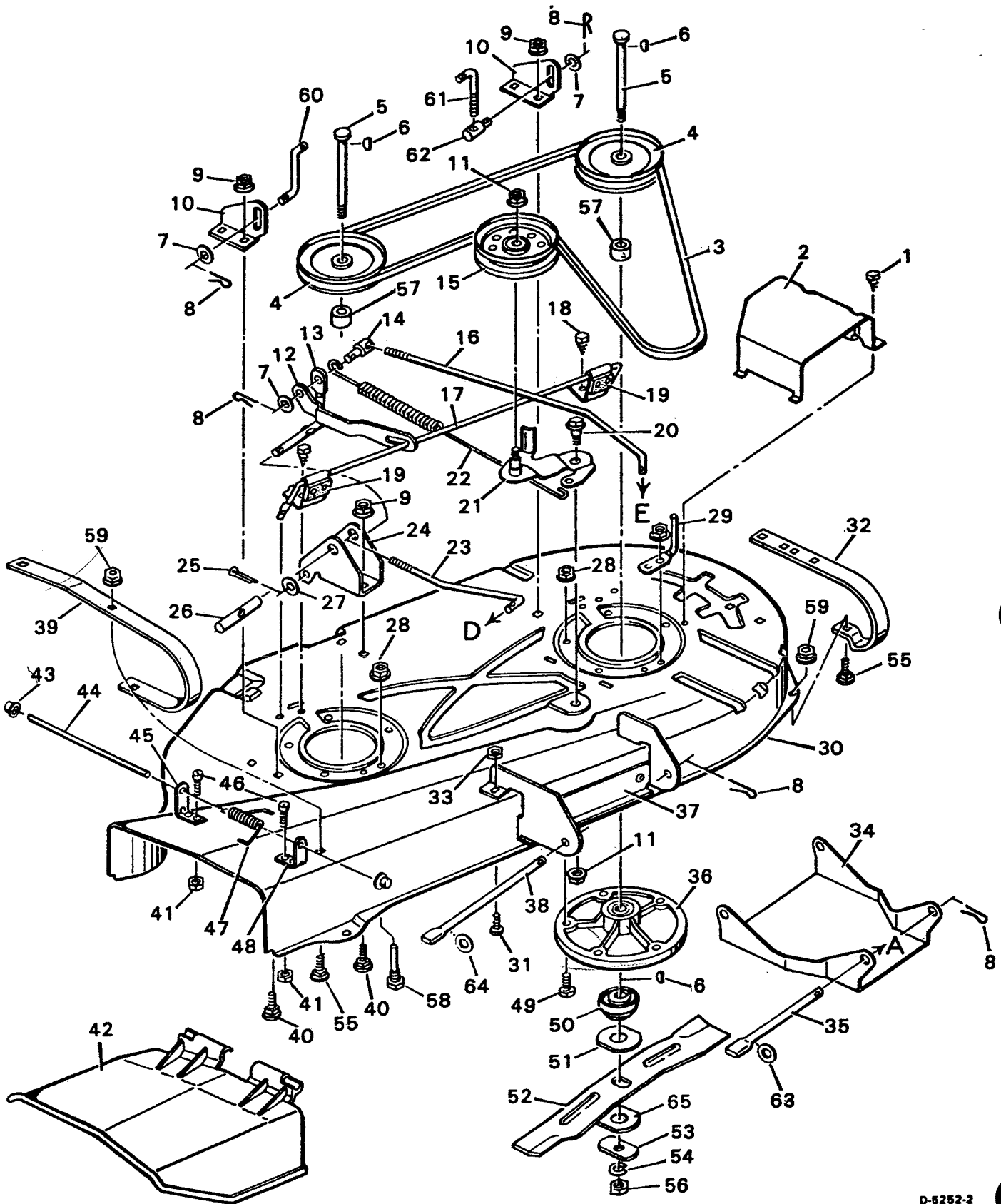
D-8246-2

**REPLACEMENT PARTS
BLADE HOUSING TOP HALF**

MODEL 4-36508



KEY NO.	DESCRIPTION	PART NO.	KEY NO.	DESCRIPTION	PART NO.
1	Grip, Blade Control Lever	20476	10	Grip, Lift Lever Assembly	23340
2	Blade Control Lever Assembly	90030Z	11	Lift Lever Assembly	90043
3	Hair Pin	75336	12	Hanger Bracket	90042
4	Carriage Bolt	2X64	13	Flange Locknut 5/16" 18	15X79
5	Screw	26X49	14	Lifter Rod	90099Z
6	Adjuster Screw Assembly	90078Z	15	Support Channel	90028
7	Washer	17X53Z	16	Adjuster Rod	90100Z
8	Cotter Pin	30X20	17	Adjustable Nut	21920
9	Adjuster Brkt. Assembly	404063	18	Spring	165X32
			19	Axle Assembly	90034



D-5252-2

BLADE HOUSING LOWER HALF PARTS

KEY NO.	DESCRIPTION	PART NO.	KEY NO.	DESCRIPTION	PART NO.
1	Screw	26X214	33	Locknut ¼"-20	15X67
2	Pulley Cover	90117	34	Front Hanger	90106
3	Belt—Blade Drive	37X43	35	Hanger Rod	90133Z
4	Jackshaft Pulley	23739	36	Jackshaft Housing Assembly	24384
5	Jackshaft	24578	37	Front Hanger Bracket	90401
6	Woodruff Key No. 6	20062	38	Hanger Rod	90107Z
7	Washer	17X53Z	39	Right Skid*	90392
8	Hairpin	75336	40	Carriage Bolt 5 16" 18X5/8"	2X53
9	Flange Nut 5/16"-18	15X79	41	Hex Nut No. 10-24	15X81
10	Lifter Bracket	90103	42	Deflector, Blade Housing	21154
11	Flange Locknut 3/8"-16	15X84	43	Push On Cap	28X23
12	Brake Bar	90121Z	44	Deflector Rod	21198Z
13	Pivot Lever	90113Z	45	Rear Deflector Bracket	21187
14	Adjustable Nut	90115Z	46	Machine Screw NO. 10-24X5/8"	4X21
15	Idler Pulley	90118	47	Torsional Spring	166X4
16	Blade Control Rod	90114Z	48	Front Deflector Bracket	21186
17	Blade Brake Rod	90122Z	49	Hex Bolt 5/16" 18X1"	1X84
18	Screw	26X214	50	Blade Adapter	20617
19	Spring Assembly, Blade Brake	90123	51	Blade Washer	21673Z
20	Shoulder Bolt 3/8"-16X7/8"	9X12	52	Blade, 36 inch	20930
21	Idler Bracket Assembly	90110Z	53	Washer	20663Z
22	Spring	165X33	54	Lockwasher	18X27
23	Link Rod	90108Z	55	Carriage Bolt	2X39
24	Rear Hanger Bracket	90104	56	Hex Nut-Blade Mount ½"-20	15X72
25	Cotter Pin	30X20	57	Jackshaft Spacer	24533Z
26	Adjuster Bar	90109	58	Bolt, Belt Guide	20619
27	Washer	17X102Z	59	Hex Nut	15X82
28	Flange Locknut 5/16"-18	15X88	60	Lifter Rod	90099Z
29	Belt Guide	90120Z	61	Adjuster Rod	90100Z
30	Blade Housing*	90391	62	Adjustable Nut	21920
	Complete Blade Housing Ass'y#	407918	63	Washer	17X122Z
32	Left Skid*	90353	64	Washer	17X57Z
			65	Washer, Under Blade	24614Z

*NOTE: These parts are included with key no. 30.

†NOTE: This part number includes key numbers 1 to 64.

