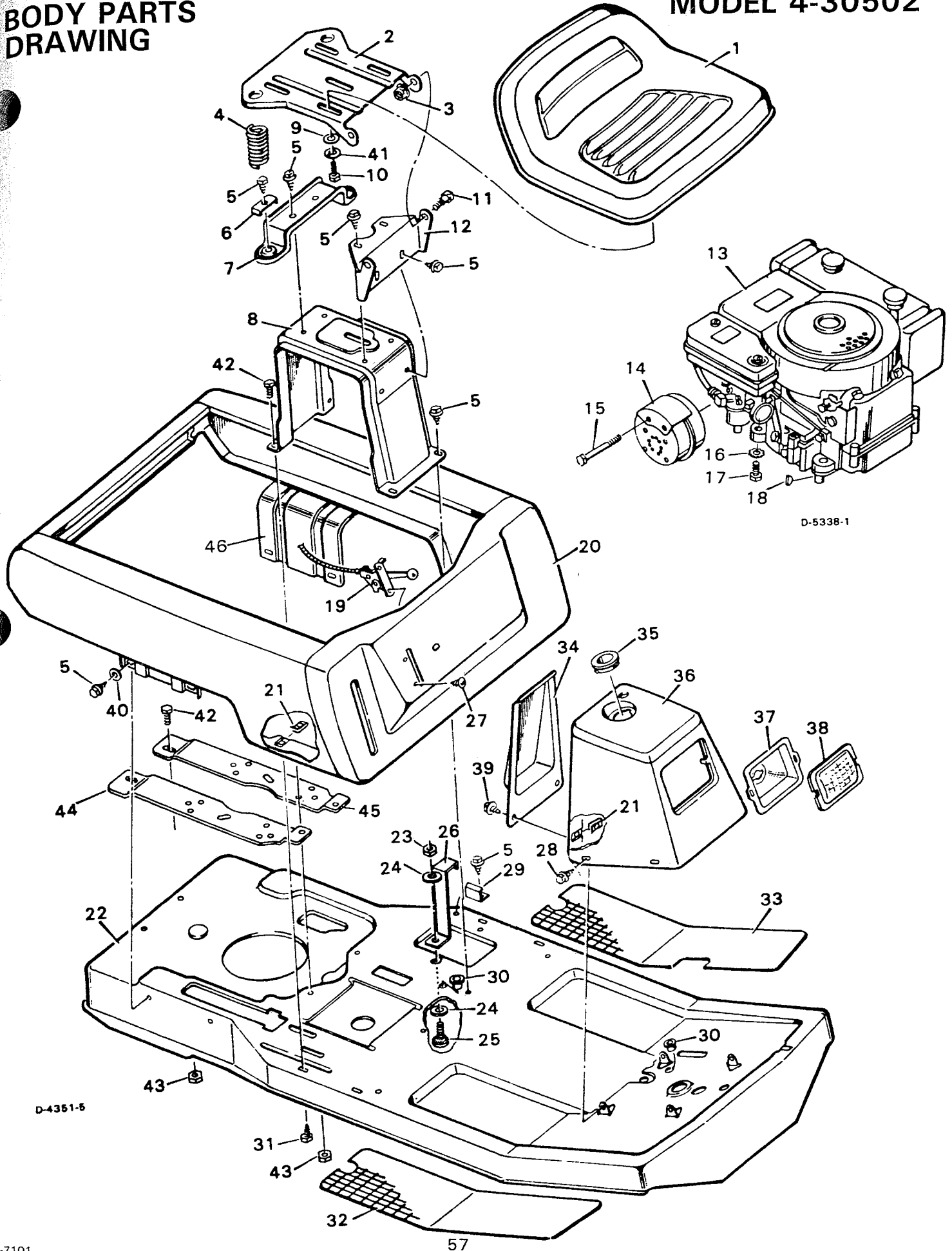


# BODY PARTS DRAWING

# MODEL 4-30502



D-5338-1

D-4351-5

## MODELS 4-30502

## BODY PARTS LIST

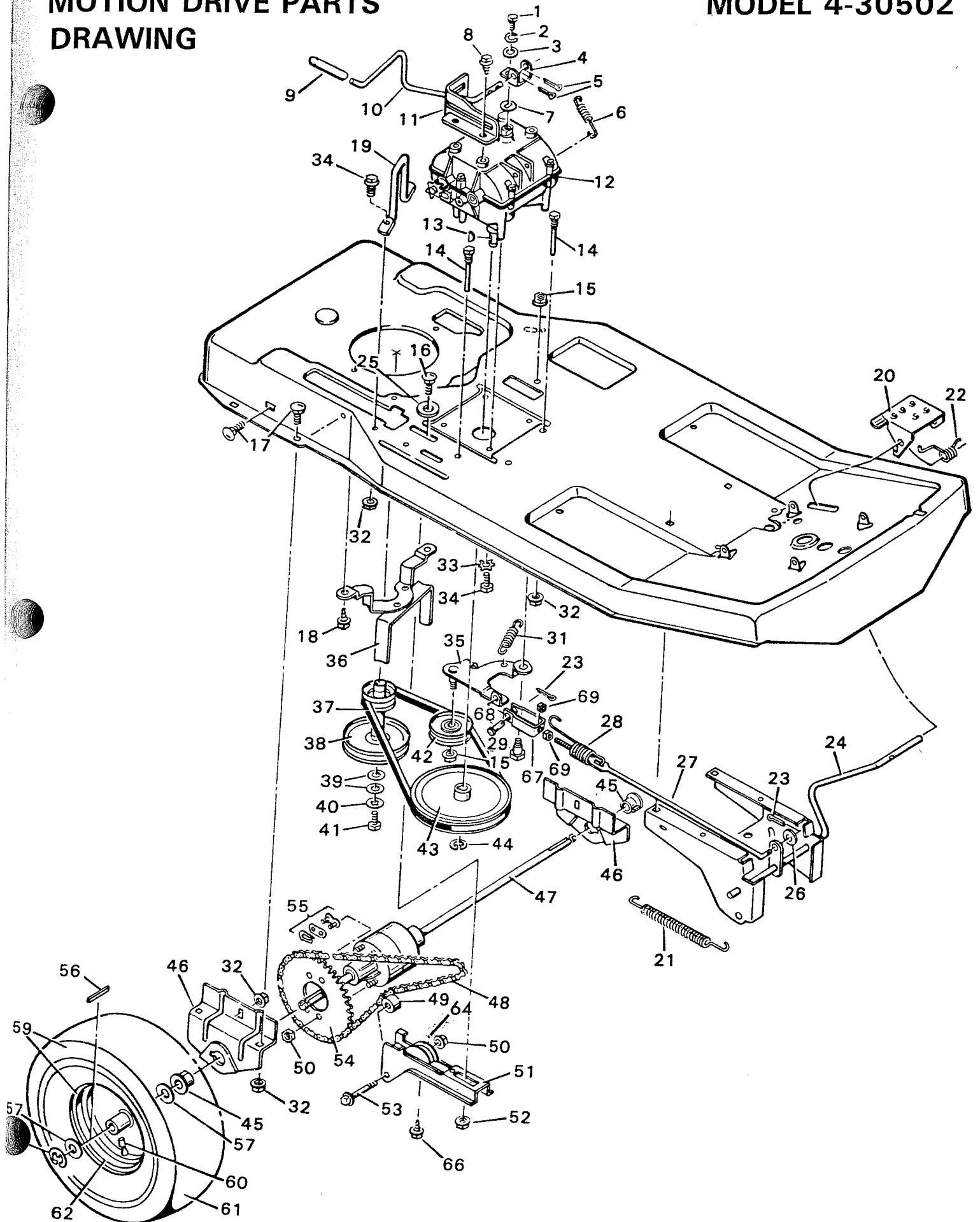
KEY NO.	DESCRIPTION	PART NO.
1	Seat	90368
2	Seat Mount	55098
3	Flange Locknut 3/8"-16	15X84
4	Seat Spring	164X13
5	Screw	26X49
6	Spring Retainer	90014
7	Spring Hanger	55062
8	Seat Support	55060
9	Washer	17X47Z
10	Hex Bolt 5/16"-18X1/2"	1X92
11	Shoulder Bolt 3/8"-16X7/8"	9X15Z
12	Seat Hinge	55061
13	Engine	†
14	Muffler	90331PA
15	Hex Bolt 1/4"-20X3/4"	1X117
16	Shakeproof Washer	19X8
17	Bolt - Engine Mount	20103
18	Woodruff Key No. 6	20062
19	Control & Cable	90095
20	Rear Body Assembly, Model 30502	55005
21	Tinnerman Nut 1/4"-20	28X18
22	Frame Channel	55197
23	Keps Nut 1/4"-20	15X66
24	Washer	17X32
25	Carriage Bolt	2X67
26	Battery Clamp	55210Z
27	Tapping Screw	26X159
28	Tapping Screw	26X214
29	Battery Clip	55149Z
30	Bushing	55176
31	Hex Bolt 1/4"-20X5/8"	6X74
32	Mat-Running Board (R.H.)	55102
33	Mat-Running Board (L.H.)	55103
34	Console Plate	55023
35	Bearing - Steering Post	55004
36	Console Assembly, Model 30502	55019
37	Reflector	90009C
38	Lens	90082
39	Machine Screw 1/4"-20X1/2"	4X24
40	Washer	19X6
41	Lockwasher	18X16
42	Hex Bolt 5/16-18X5/8	1X45
43	Flange Locknut	15X88
44	Right Engine Strap	55205
45	Left Engine Strap	55206
46	Rear Body Support	55017Z
	Parts List	F-6815
	Instruction Book	F-6813
	Parts Bag	55146

†NOTE: Your Engine Model, Type & Code Number is stamped on the Blower Housing. All parts pertaining to the engine are available from the Briggs and Stratton Parts and Service Station listed in the yellow pages of the classified Telephone Directory.

\*Not used on Model 4-30503X

# MOTION DRIVE PARTS DRAWING

## MODEL 4-30502



MODEL 4-30502

MOTION DRIVE PARTS

KEY NO.	DESCRIPTION	PART NO.	KEY NO.	DESCRIPTION	PART NO.
1	Hex Bolt 1/4"-20X5/8"	1X82	34	Hex Bolt 5/16"-18X5/8"	1X45
2	Spring Lockwasher	18X32	35	Idler Arm Assembly	55067Z
3	Washer	17X32Z	36	Belt Guide Assembly	55281Z
4	Transmission Yoke	24834Z	37	Traction Drive Belt	37X38
5	Cotter Pin	30X20	38	Stack Pulley Assembly	55275Z
6	Extension Spring-Brake Return	165X28	39	Washer	10851Z
7	Washer	17X134	40	Shakeproof Washer	19X39
8	Tapping Screw	26X207	41	Hex Bolt 3/8"-24X1 1/2"	1X20
9	Grip	55321	42	Idler Pulley	20613
10	Shift Lever	55121Z	43	Pulley Transmission	55101
11	Transmission Gate	55263Z	44	Retainer Ring	11X7
12	Transmission-Peerless 708B	†	45	Axle Bearing	90225
13	Woodruff Key #9	20697	46	Bracket, Rear Axle <i>55065</i>	<del>55064</del>
14	Guide Screw	20619	47	Differential-Peerless 100-015	†
15	Flange Locknut 3/8"-16	15X84	48	Roller Chain <i>55115</i>	<del>55269</del>
16	Carriage Bolt 3/8"-16X3/4"	2X56	49	Roller**	90176
17	Carriage Bolt 5/16"-18X5/8"	2X53	50	Flange Locknut 5/16"-18**	15X88
18	Tapping Screw	26X49	51	Chain Adjusting Bracket	55194
19	Chain Gate	23553Z	52	Flange Hex Nut 3/8"-16	15X68
20	Pedal-Brake/Clutch	55246	53	Shoulder Bolt 5/16"-18X1.72***	9X22
21	Extension Spring - Pedal	165X2	54	Sprocket-50 Tooth	90188
22	Torsional Spring-Pedal	166X18	55	Connecting Link	407059
23	Cotter Pin	30X49	56	Square Key 3/16"	21553
24	Lever Assembly-Brake/Clutch	55247	57	Washer	21521
25	Washer	17X67Z	58	E-Ring	11X3
26	Washer	17X47Z	59	Wheel & Tire Assembly	24392
27	Rod, Brake/Clutch	55220Z	60	Valve Stem & Cap*	24373
28	Extension Spring-Brake Unit	165X42	61	Tire Only*	24393
29	Shoulder Bolt 3/8"-16X7/8"	9X15Z	62	Wheel Only*	24391E
31	Extension Spring-Clutch Unit	165X39	64	Guide Block**	23403
32	Flange Hex Nut 5/16"-18	15X79	66	Tapping Screw**	26X214
33	Shakeproof Washer	19X6	67	Clevis	21915Z
			68	Clevis Pin	29X99
			69	Hex Nut	15X2

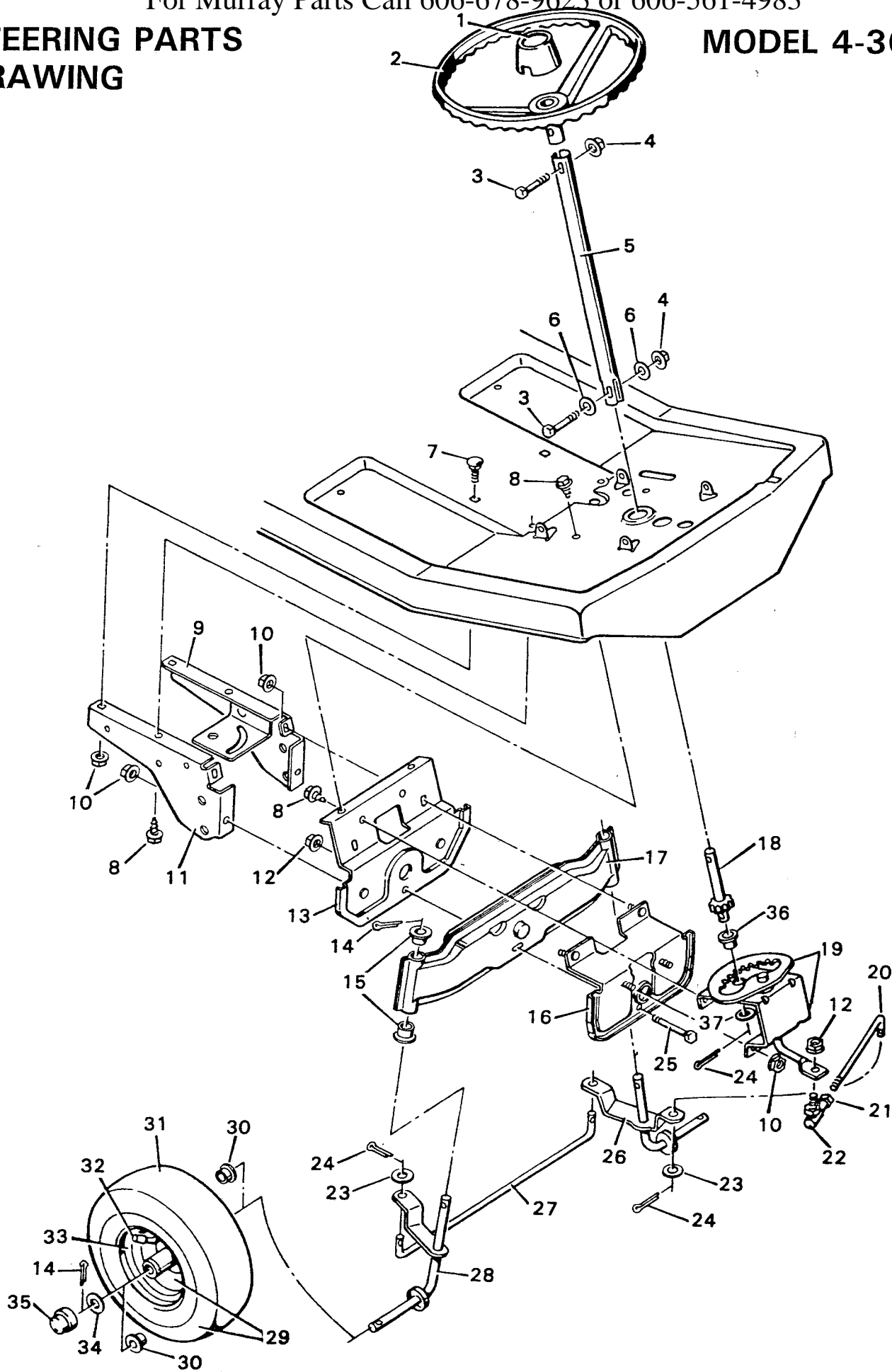
†NOTE: All parts pertaining to this Transmission or Differential are available from Tecumseh Parts and Service Centers listed in the yellow pages of the telephone directory under "Engines, Gasoline" or "Gasoline Engines".

\*NOTE: These key numbers are included with key no. 59. When ordering replacement parts specify the brand name of the tire to insure that tread patterns on tire match.

\*\*NOTE: These key numbers are included with key no. 51.

# STEERING PARTS DRAWING

## MODEL 4-30502



D 4350-3

F-7101

## MODEL 4-30501

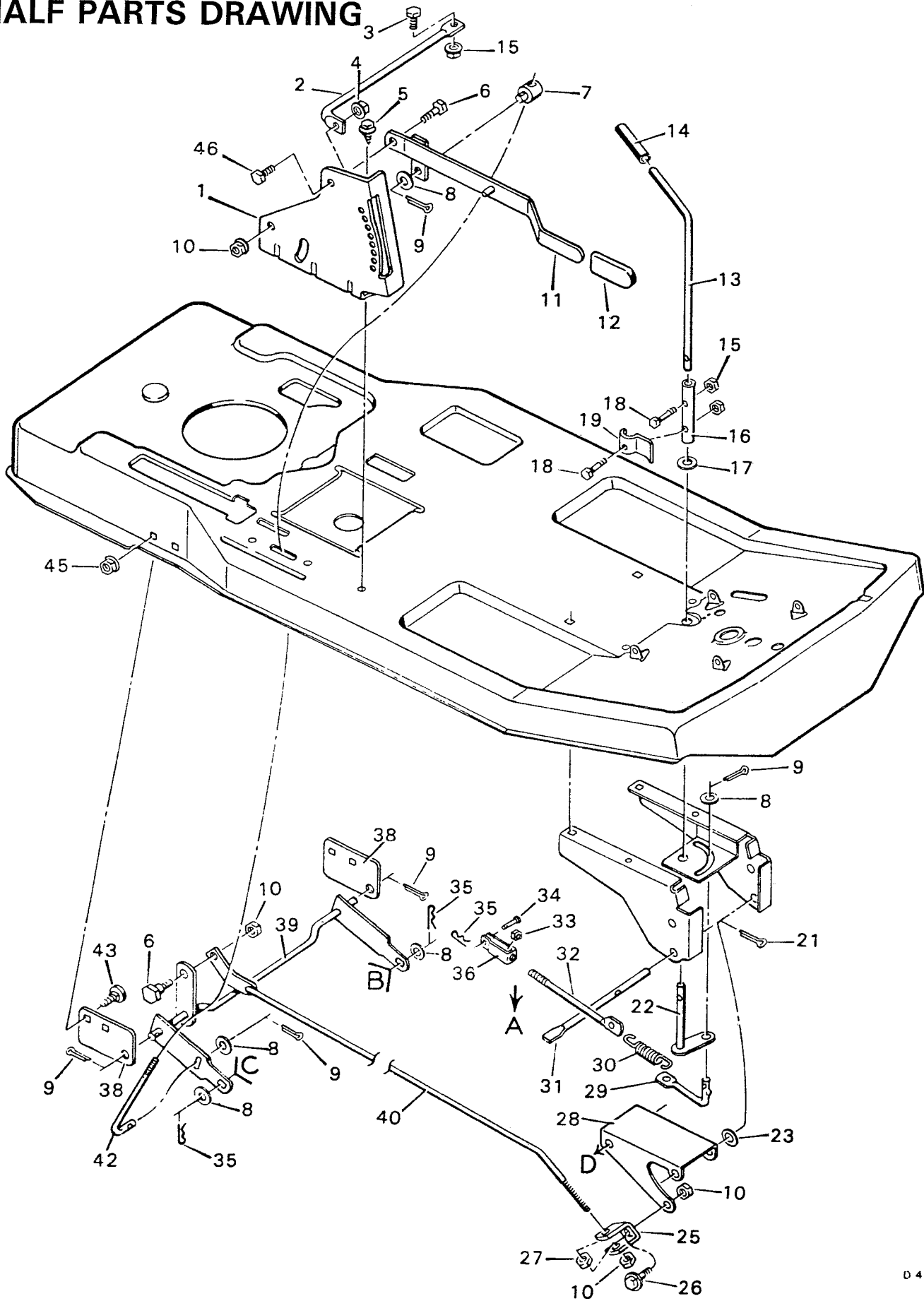
## STEERING PARTS LIST

KEY NO.	DESCRIPTION	PART NO.
1	Cap-Steering Wheel	23573
2	Steering Wheel	90126
3	Hex Bolt 5/16"-18X1 1/2"	1X102
4	Flange Locknut 5/16"-13	15X88
5	Steering Post	90130C
6	Washer	17X47Z
7	Carriage Bolt 5/16"-18X5/8"	2X53
8	Tapping Screw	26X49
9	Left Suspension Plate	55277
10	Flange Hex Nut	15X79
11	Right Suspension Plate	55201
12	Flange Locknut 3/8"-24	15X87
13	Front Axle Support Assembly	55056
14	Cotter Pin	30X49
15	Spindle Bearing	55003
16	Front Axle Hanger Assembly	55058
17	Front Axle Assembly	55024
18	Pinion Gear	55001
19	Sector Assembly	55041
20	Drag Link	55046
21	Hex Nut 3/8"-24	15X61
22	Steering Ball Joint	21031
23	Washer	17X53
24	Cotter Pin	30X20
25	Hex Bolt 3/8"-24X2 3/8"	1X69
26	Left Spindle Assembly	55039
27	Tie Rod	55026
28	Right Spindle Assembly	55038
29	Wheel & Tire Assembly	24395
30	Bearing*	24368
31	Tire Only*	24394
32	Valve Stem & Cap*	24373
33	Wheel Only*	24364E
34	Washer	24583
35	Hub Cap	24582
36	Bearing	55168
37	Washer	17X100Z

\*NOTE: These key numbers are included with key no. 29. When ordering replacement parts specify the brand name of the tire to insure tread patterns on tire match.

# BLADE HOUSING — TOP HALF PARTS DRAWING

# MODEL 4-30502



D 4505

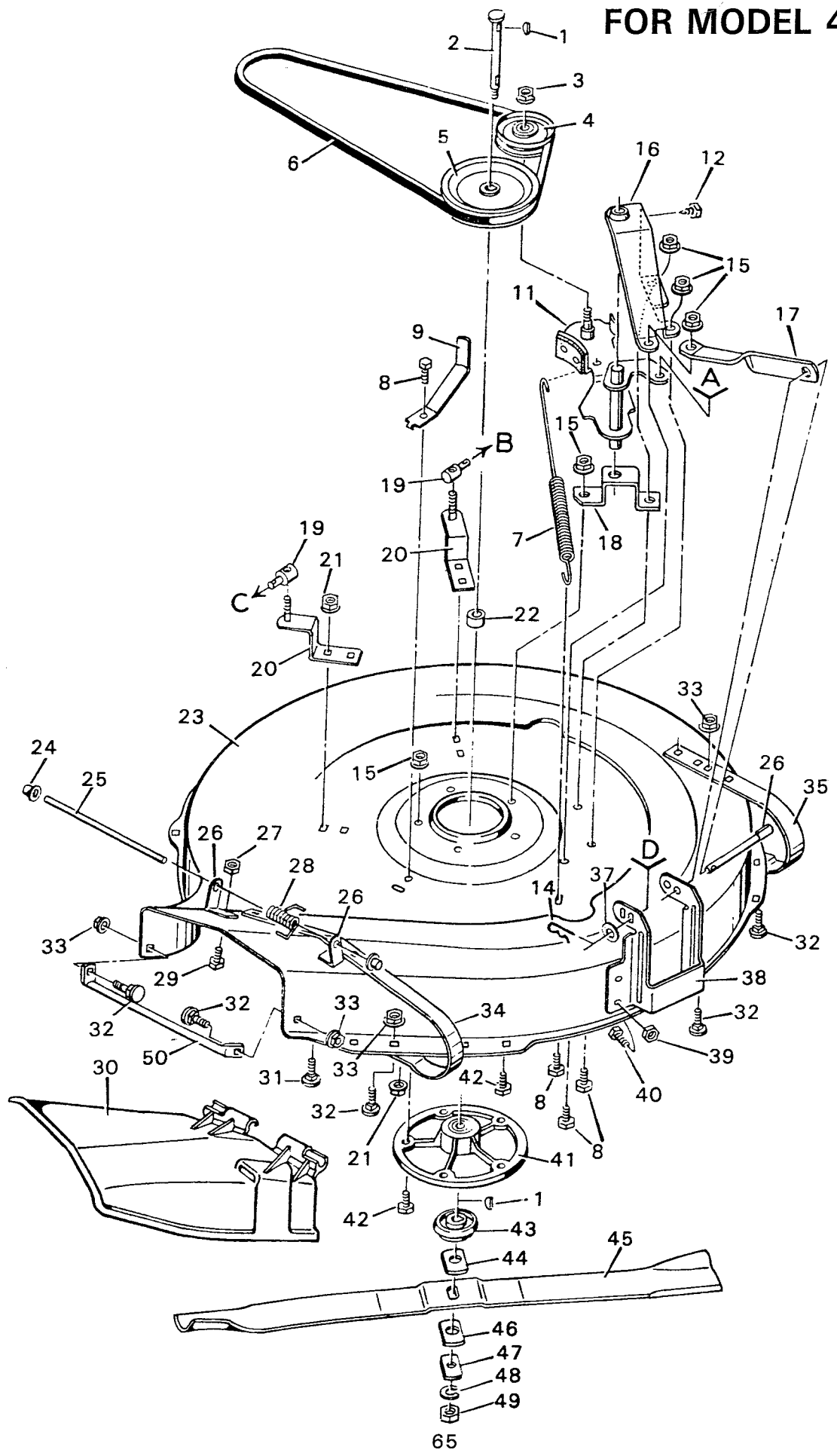
MODEL 4-30502

BLADE HOUSING — TOP  
HALF PARTS LIST

KEY NO.	DESCRIPTION	PART NO.
1	Index Plate	55622
2	Strut	55617
3	Hex Bolt 1/4''-20X1/2''	1X100
4	Flange Locknut 5/16''-18	15X88
5	Screw	26X49
6	Shoulder Bolt	9X9Z
7	Adjusting Nut	21920
8	Washer	17X53Z
9	Cotter Pin	30X20
10	Locknut 3/8''-16	15X84
11	Lifter Lever Assembly	55257
12	Grip	21249
13	Blade Lever	55089Z
14	Grip, Blade Lever	20476
15	Flange Locknut 1/4''-20	15X89
16	Tube, Blade Lever	55088
17	Washer	17X67Z
18	Hex Bolt 1/4''-20X1''	1X76
19	Switch Bracket	55300
21	Cotter Pin	30X49
22	Rod & Arm Assembly	55279
23	Washer	17X67Z
25	Clevis	55298
26	Shoulder Bolt	9X12
27	Hex Nut	15X73
28	Bracket, Front Suspension	55139
29	Front Link	55179
30	Extension Spring	165X56
31	Suspension Pin	55141Z
32	Blade Drive Link	55271Z
33	Hex Nut	15X2
34	Clevis Pin	29X99
35	Hair Pin	20692
36	Clevis	21915Z
38	Lifter Mounting Plate	55270
39	Suspension Rod Assembly	55292
40	Linkage Rod	55283Z
42	Lifter Rod	24839
43	Carriage Bolt 5/16''-18X5/8''	2X53
45	Flange Nut 5/16''-18	15X79
46	Hex Bolt 5/16''-18X5/8''	1X45



For Murray Parts Call 606-678-9623 or 606-561-4983  
**BLADE HOUSING — BOTTOM** **HALF PARTS DRAWING**  
**FOR MODEL 4-30502**



D-4348 1

F-7101

# HALF PARTS LIST FOR MODEL 4-30502

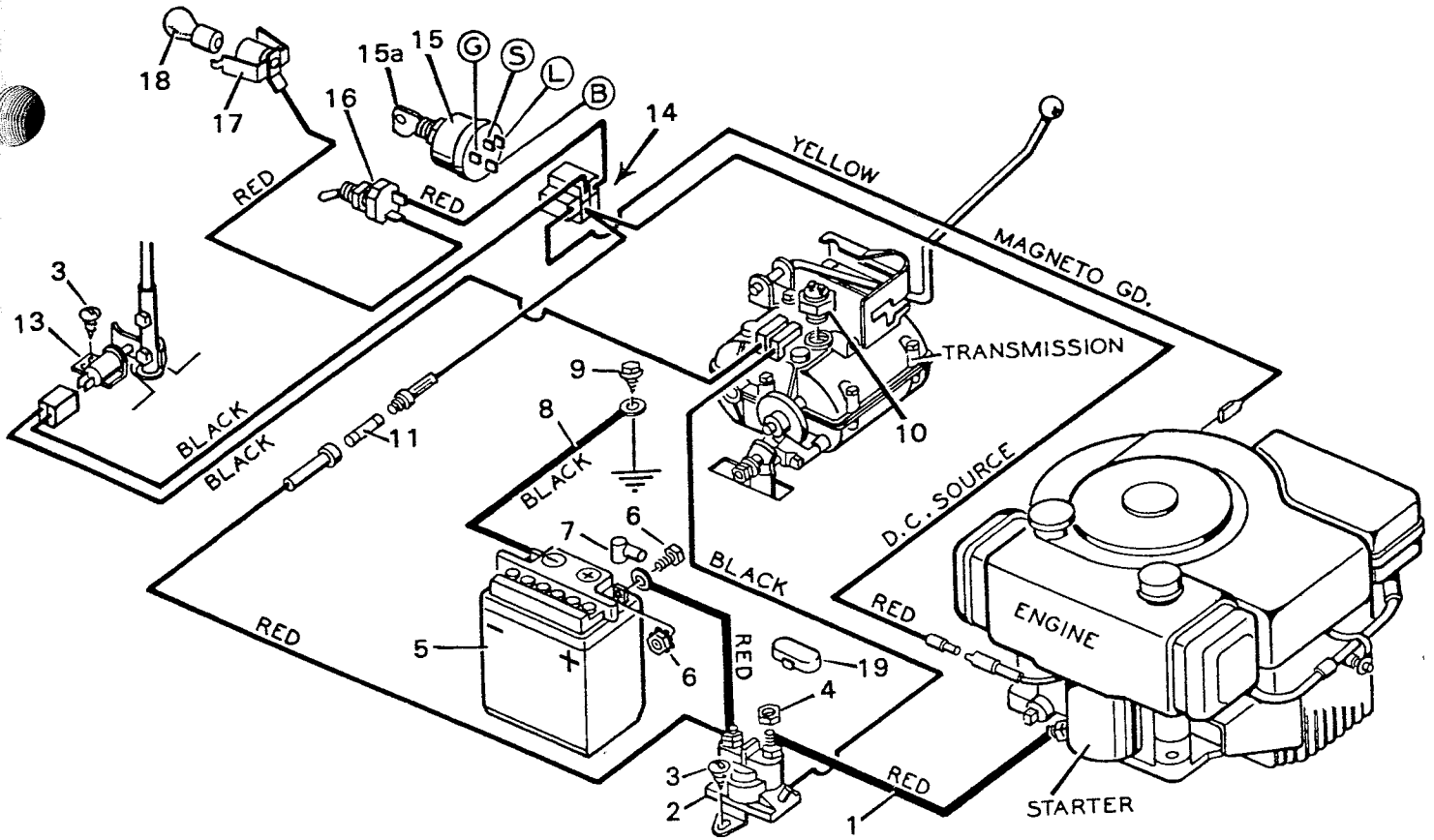
# BLADE HOUSING — BOTTOM

KEY NO.	DESCRIPTION	PART NO.
1	Woodruff Key #6	20062
2	Jackshaft	55272
3	Flange Locknut 3/8"-16	15X84
4	Idler Pulley	20613
5	Pulley	90242
6	Belt, Blade Drive	37X50
7	Extension Spring-Blade Brake	165X57
8	Hex Bolt 5/16"-18X5/8"*	1X45
9	Belt Guide	55296Z
11	Blade Idler Assembly	55286Z
12	Screw	26X49
14	Hair Pin	20692
15	Flange Locknut 5/16"-18	15X88
16	Top Idler Pivot Bracket	55301
17	Strap	55305
18	Lower Idler Pivot Bracket	55297
19	Adjusting Nut	21920
20	Rear Bracket & Bolt Assembly*	55136
21	Flange Hex Nut 5/16"-18*	15X79
22	Jackshaft Spacer	55273Z
23	Blade Housing Only w/skids	55313
	Blade Housing Complete	403197
24	Push On Cap	28X23
25	Deflector Rod	21197Z
26	Front & Rear Deflector Brkt.*	21185
27	Hex Nut #10-24*	15X51
28	Torsional Spring	166X4
29	Machine Screw #10-24X5/8"*	4X21
30	Chute Deflector	24540
31	Carriage Bolt 5/16"-18X5/8"*	2X53
32	Carriage Bolt 1/4"-20X9/16"*	2X39
33	Flange Locknut 1/4"-20*	15X82
34	Skid, R.H.*	90352
35	Skid, L.H.*	90353
36	Pull Pin	55142Z
37	Washer	17X67Z
38	Front Bracket*	55302
39	Keps Nut 1/4"-20*	15X66
40	Machine Screw 1/4"-20X1/2"*	4X25
41	Jackshaft Housing Assembly	24384
42	Hex Bolt 5/16"-18X1"	1X84
43	Blade Adapter	20617
44	Washer	24614Z
45	Blade - 30"	24524
46	Washer	21673Z
47	Blade Washer	20663Z
48	Spring Lockwasher	18X27
49	Hex Nut - Blade Mount	15X72
50	Horn Guard*	20581

\* NOTE: These key number are included with key no. 23.

**WIRING DIAGRAM PARTS LIST**

**MODELS 4-30502**



4346-3

KEY NO.	DESCRIPTION	PART NO.	KEY NO.	DESCRIPTION	PART NO.
1	Battery Cable	24X12	11	Fuse - 15 AMP	23752
2	Solenoid	24285	12	Fuse Holder	407058
3	Screw	26X185	13	Limit Switch	24273
4	Keps Nut 1/4"-20	15X66	14	Wiring Harness	55185
5	Battery	23581	*	Wire Clamp	21980
*	Electrolyte - (Battery Acid)	55320	15	Key & Switch Assy.	21064PA
6	Battery Hardware	402012	15a	Key Only	<del>20776PA</del> 20729
7	Battery Boot	24196	16	Light Switch	20899PA
8	Battery Cable - Ground	24X9	17	Light Sprocket	90155
9	Screw	26X49	18	Light Bulb	90084
10	Transmission Limit Switch	23479	19	Solenoid Cap	90565

\*Not illustrated