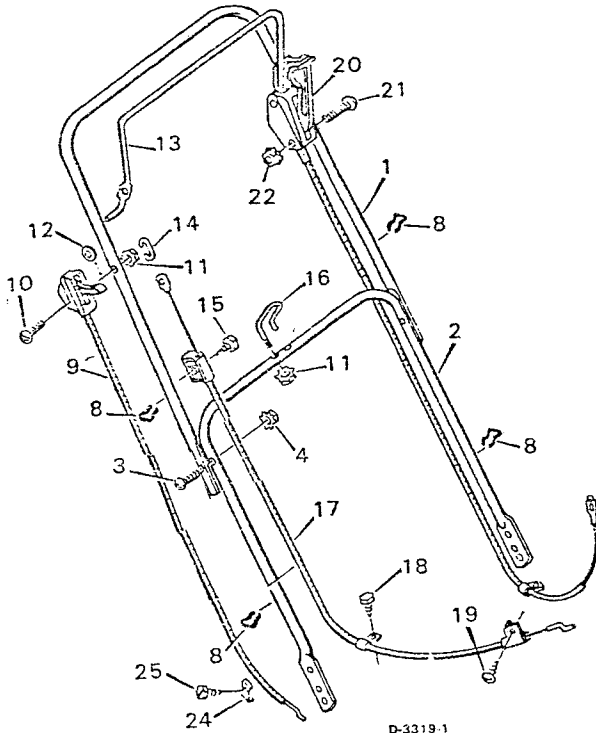
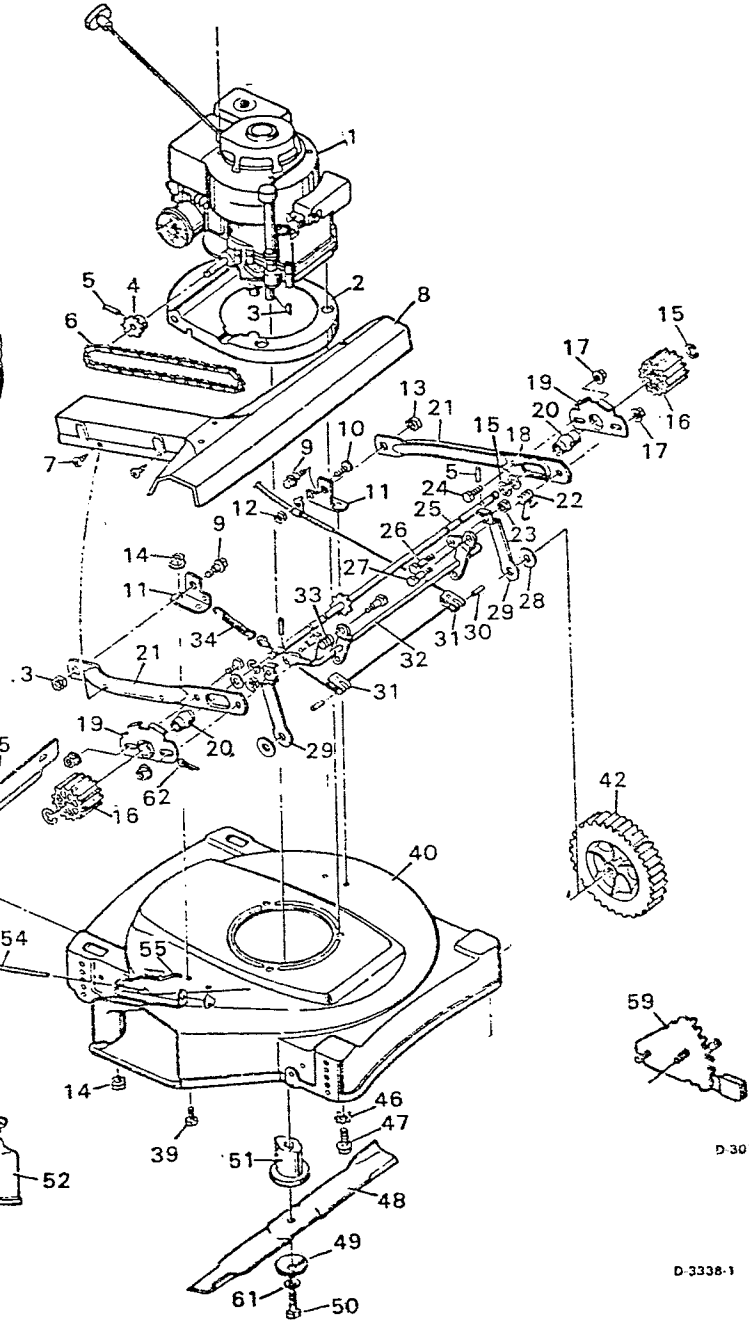


MOWER HOUSING ILLUSTRATION

MODEL 4-22451 — 22"



D-3319-1



D-3016

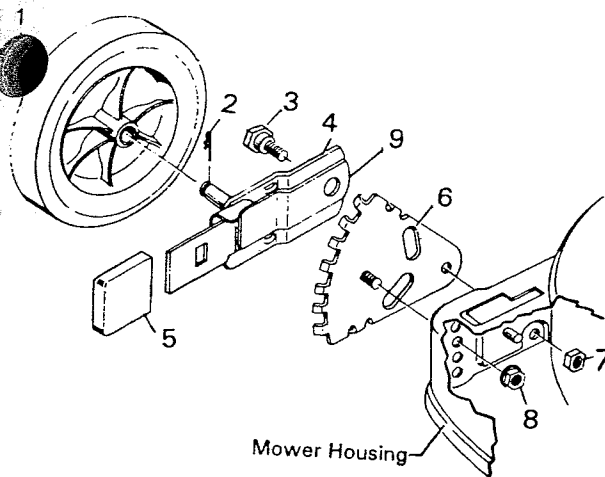
D-3338-1

HANDLE PARTS LIST

KEY NO.	DESCRIPTION	PARTS NO.
1	Upper Handle	42369C
2	Lower Handle	42791C
3	Bolt	3X136
4	Nut Keps	15X66
8	Cable Retainer, Metal	42188
9	Throttle Control, Lever	42093
10	Bolt	3X105
11	Keps Nut	15X66
12	Washer	17X32Z
13	Engine Stop Lever	42560C
14	Hook	75079
15	Screw	26X220
16	U-Bolt	42361Z
17	Engine Stop Cable	42363
18	Screw	26X224
19	Screw	6X75
20	Drive Control Ass'y. for Non-Folding Handle	42750
	Drive Control Only	404070
	Cable Only	404067
21	Bolt	3X147
22	Nut	15X71
24	Clamp	20073
25	Screw	26X181

KEY NO.	DESCRIPTION	PART NO.
1	Engine	----
2	Engine Base	42251E
3	Woodruff Key	20062
4	Engine Sprocket	42086
5	Spring Pin	32X64
6	Chain	20108
7	Screw	26X214
8	Chain & Pinion Guard Assembly	42576
9	Shoulder Bolt	9X17
10	Screw	4X20
11	Drive Yoke Support Bracket	42055Z
12	Nut	15X71
13	Nut	15X84
14	Flange Locknut	15X82
15	Retainer Ring	11X8
16	Drive Pinion	20066
17	Keps Nut	15X76
18	Washer	17X100Z
19	Bearing Retainer	42284Z
20	Bearing	20048
21	Drive Arm	42285Z
22	Torisional Spring, L.H.	166X15
23	Flange Locknut	15X88
24	Bolt	1X45
25	Drive Shaft and Sprocket, on Model W/Height Adjusters	22150Z
26	Shoulder Bolt	9X8
27	Shoulder Bolt	9X1
28	Washer, on Model W/Height Adjusters	17X102Z
29	Wheel Connecting Lever, on Model W/Height Adjusters	22970Z
30	Spring Pin	32X70
31	Bracket & Pulley Assembly	22973
32	Tie Rod Assembly	22989Z
33	Torisional Spring, R.H.	166X14
34	Extension Spring	165X8
35	Rear Guard	42587
36	Screw	26X219
39	Bolt	1X38
40	Housing for Non-Folding Handle	70054
42	Wheel & Tire	20105
46	Shakeproof Washer	19X8
47	Bolt	20102
48	Blade	20046
49	Blade Washer	17X137
50	Bolt	1X68
51	Blade Adapter	42346
52	Chute Deflector	20454
53	Push On Cap	28X42
54	Pivot Pin	22050Z
55	Spring	166X5
59	Wheel Adjustor See Page 33	---
60	Rope Stop	42189
61	Washer	17X124
	Instruction Book	F-6808
	Parts Bag	42804

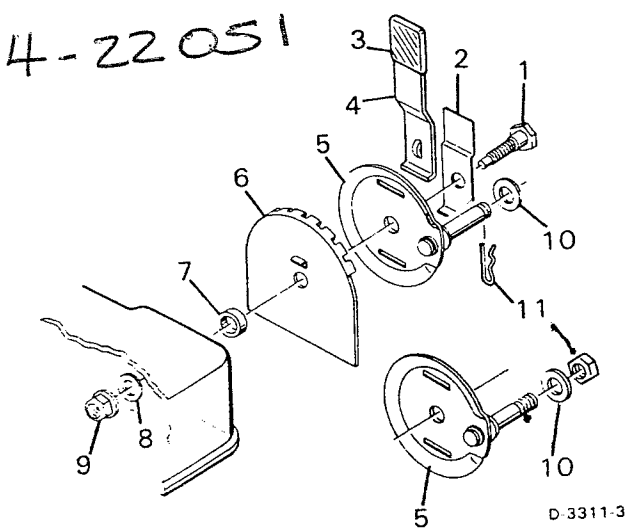
SIDE BAGGER Murray Parts Call 606-678-9623 or 606-500-1111 **MODEL 400255**
Rear Bagger-(For Right Front & Left Rear) **400256**
Rear Bagger-(For Left Front & Right Rear) **400270**



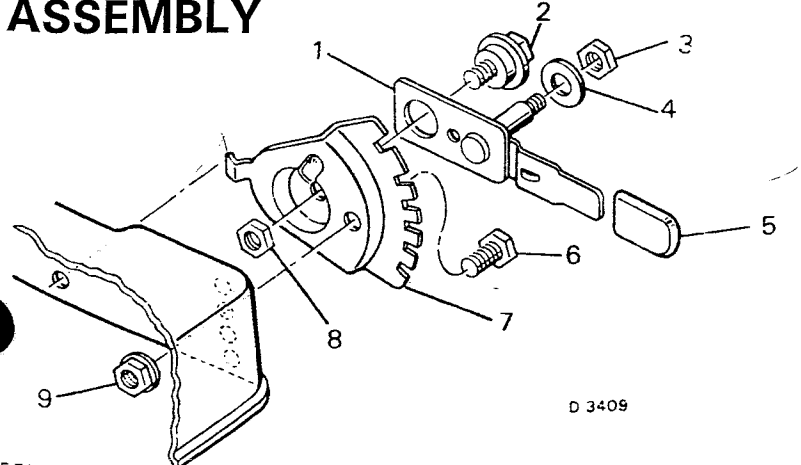
KEY NO.	MODEL 400255	MODEL 400256	MODEL 400270	DESCRIPTION
1	17X102Z	17X102Z	17X102Z	Washer
2	20101	20101	20101	Hair Pin
3	9X9Z	9X90Z	9X20Z	Shoulder Bolt
4	42342Z	42347Z	24347Z	Arm and Axle Assembly
5	20065	20065	20065	Grip
6	42343Z	42472Z	42471Z	Index Plate
7	15X12	15X12	15X12	Flange Locknut
8	15X68Z	15X68Z	15X68Z	Locknut
10	20041	20041	20041	Spring
1-10	400255	400256	400270	Complete Wheel Adjuster

Standard Wheel Adjuster Assembly
Models 400253 or 400254 - Hairpin Axle
400266 or 400267 - Threaded Axle

KEY NO.	PART NO.	DESCRIPTION
1	9X24	Shoulder Bolt
2	42330	Spring
3	42280	Grip
4	42338Z	Adjuster Lever
5	42339Z	Wheel Adjuster Bracket W/hole for hair pin
	42596Z	Wheel Adjuster Bracket W/threads for hex nut
6	42336Z	Index Plate
7	42333	Spacer
8	10851Z	Washer
9	15X84	Flange Nut
10	20X3	Washer (Ball Bearing Wheels Only)
11	20101	Hair Pin
	15X84	Hex Nut
1-11		Wheel Adjuster Assembly Right Front or Left Rear
	400253	W/hole in Shaft
	400266	W/Thread on Shaft
1-11		Wheel Adjuster Assembly Left Front or Right Rear
	400254	W/Hole in Shaft
	400267	W/Thread on Shaft



DELUXE WHEEL ADJUSTOR ASSEMBLY



KEY NO.	PART NO.	DESCRIPTION
1	42756	Adjuster Lever, Side Bagger
	42757	Adjuster Lever, Rear Bagger
2	9X26	Shoulder Bolt
3	15X84	Hex Nut
4	17X102Z	Washer
5	20065	Grip
6	1X85	Hex Bolt
7	42753Z	Index Plate-LF,RR
	42754Z	Index Plate-RF,LR
8	15X97	Hex Nut
9	15X68Z	Flange Nut
1-9	400275	Height Adj. Ass'y, Rear Bagger (For right front or left rear)
	400276	Height Adj. Ass'y, Rear Bagger (For left front or right rear)
	400277	Height Adj. Ass'y, Side Bagger (For left front or right rear)
	400278	Height Adj. Ass'y, Side Bagger (For right front or left rear)

F-7101

D 3409