

D 3305-1

D 3313-4

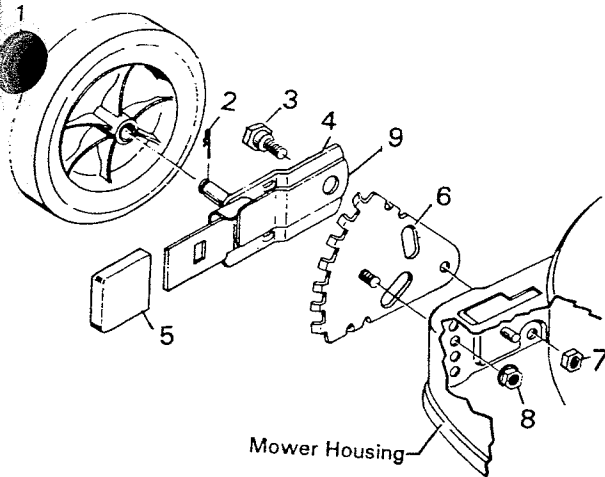
**MODEL 4-22051****MOWER HOUSING ILLUSTRATION**

KEY NO.	DESCRIPTION	22"
1	Engine	----
2	Woodruff Key	20062
3	Housing-for Non-folding Handle	70054
5	Wheel and Tire	20270
8	Blade Washer	17X137
9	Hex Bolt	1X68
10	Blade	20046
11	Blade Adapter	42345
13	Chute Deflector	20454
14	Push On Cap	28X42
15	Pivot Pin	22050Z
16	Spring	166X5
17	Screw	26X219
18	Rear Guard	42587
26	Bolt	1X70
27	Washer	19X8
28	Engine Bolt	20103
31	Washer	17X124
33	Hex Nut	15X70
	Instruction Book	F-6803
	Parts Bag	42802

**HANDLE PARTS LIST**

KEY NO.	DESCRIPTION	PARTS NO.
1	Upper Handle	42371C
2	Lower Handle	42383C
3	Bolt	3X136Z
4	Keys Nut	15X66
6	Cable Retainer, Metal	42188
7	Throttle Control, Slide	42096
8	Bolt	3X136Z
9	Engine Stop Lever	42386C
10	Handle Stop	42748Z
11	Hook	75079
12	Screw	26X220
13	U-Bolt	42361Z
14	Engine Stop Cable	42363
15	Screw	26X224
16	Screw	6X75
17	Washer	17X32Z
18	Screw	26X181
19	Clamp	20073

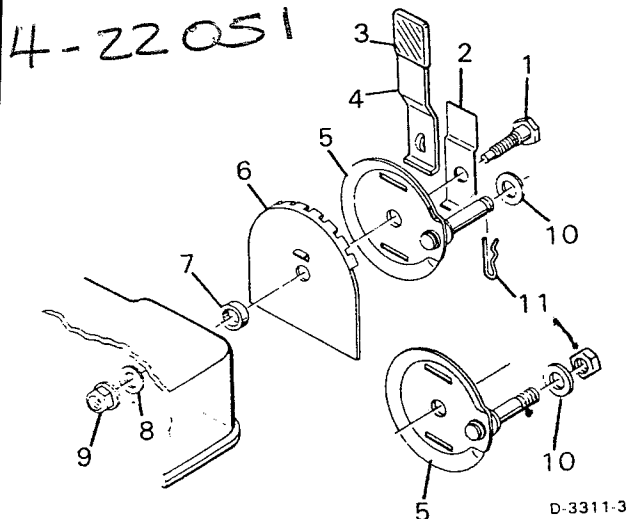
**SIDE BAGGER** Murray Parts Call 606-678-9623 or 606-508-**MODEL 400255**  
**Rear Bagger-(For Right Front & Left Rear)** **400256**  
**Rear Bagger-(For Left Front & Right Rear)** **400270**



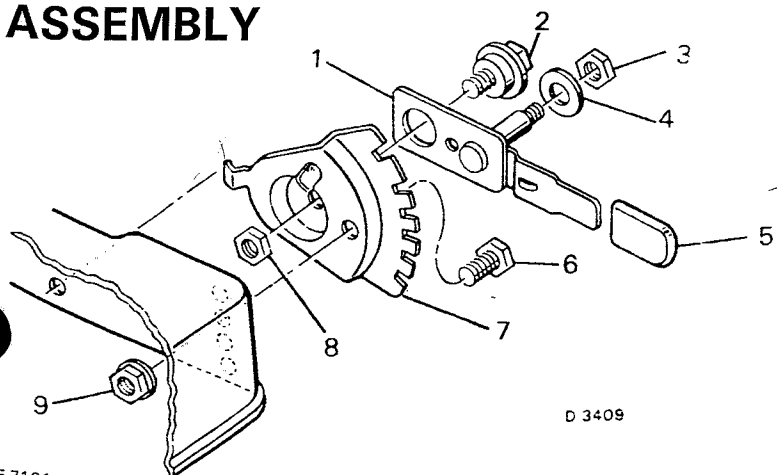
KEY NO.	MODEL 400255	MODEL 400256	MODEL 400270	DESCRIPTION
1	17X102Z	17X102Z	17X102Z	Washer
2	20101	20101	20101	Hair Pin
3	9X9Z	9X90Z	9X20Z	Shoulder Bolt
4	42342Z	42347Z	24347Z	Arm and Axle Assembly
5	20065	20065	20065	Grip
6	42343Z	42472Z	42471Z	Index Plate
7	15X12	15X12	15X12	Flange Locknut
8	15X68Z	15X68Z	15X68Z	Locknut
10	20041	20041	20041	Spring
1-10	400255	400256	400270	Complete Wheel Adjuster

**Standard Wheel Adjuster Assembly**  
**Models 400253 or 400254 - Hairpin Axle**  
**400266 or 400267 - Threaded Axle**

KEY NO.	PART NO.	DESCRIPTION
1	9X24	Shoulder Bolt
2	42330	Spring
3	42280	Grip
4	42338Z	Adjuster Lever
5	42339Z	Wheel Adjuster Bracket W/hole for hair pin
	42596Z	Wheel Adjuster Bracket W/threads for hex nut
6	42336Z	Index Plate
7	42333	Spacer
8	10851Z	Washer
9	15X84	Flange Nut
10	20X3	Washer (Ball Bearing Wheels Only)
11	20101	Hair Pin
	15X84	Hex Nut
1-11		Wheel Adjuster Assembly Right Front or Left Rear
	400253	W/hole in Shaft
	400266	W/Thread on Shaft
1-11		Wheel Adjuster Assembly Left Front or Right Rear
	400254	W/Hole in Shaft
	400267	W/Thread on Shaft



**DELUXE WHEEL ADJUSTOR ASSEMBLY**



KEY NO.	PART NO.	DESCRIPTION
1	42756	Adjuster Lever, Side Bagger
	42757	Adjuster Lever, Rear Bagger
2	9X26	Shoulder Bolt
3	15X84	Hex Nut
4	17X102Z	Washer
5	20065	Grip
6	1X85	Hex Bolt
7	42753Z	Index Plate-LF,RR
	42754Z	Index Plate-RF,LR
8	15X97	Hex Nut
9	15X68Z	Flange Nut
1-9	400275	Height Adj. Ass'y, Rear Bagger (For right front or left rear)
	400276	Height Adj. Ass'y, Rear Bagger (For left front or right rear)
	400277	Height Adj. Ass'y, Side Bagger (For left front or right rear)
	400278	Height Adj. Ass'y, Side Bagger (For right front or left rear)