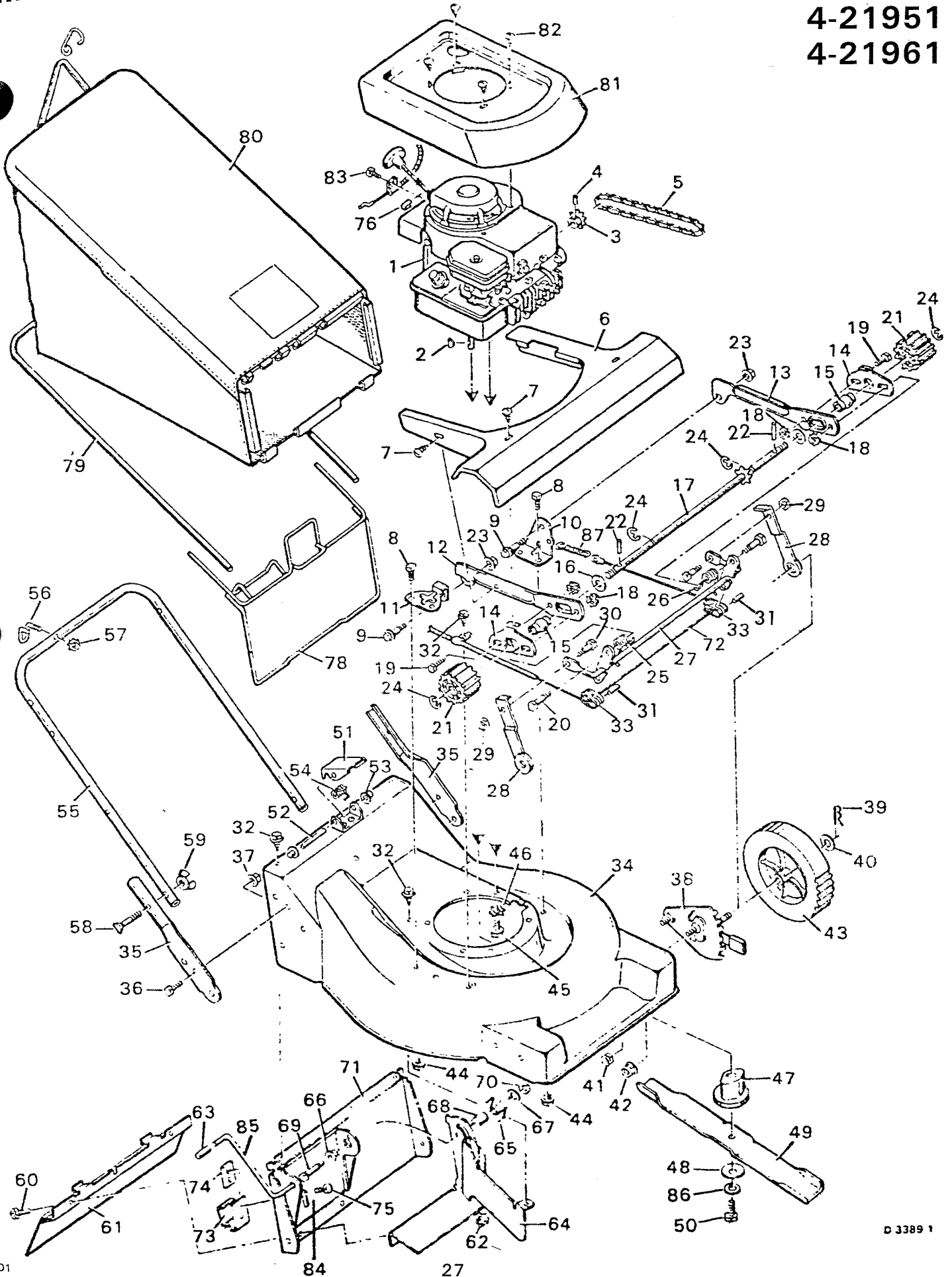


# MOWER HOUSING ILLUSTRATION

# MODEL NOS. 4-21951A

4-21951

4-21961



**MODEL NO. 4-21951**

**MOWER HOUSING PARTS LI**

**MODEL NO. 4-21961**

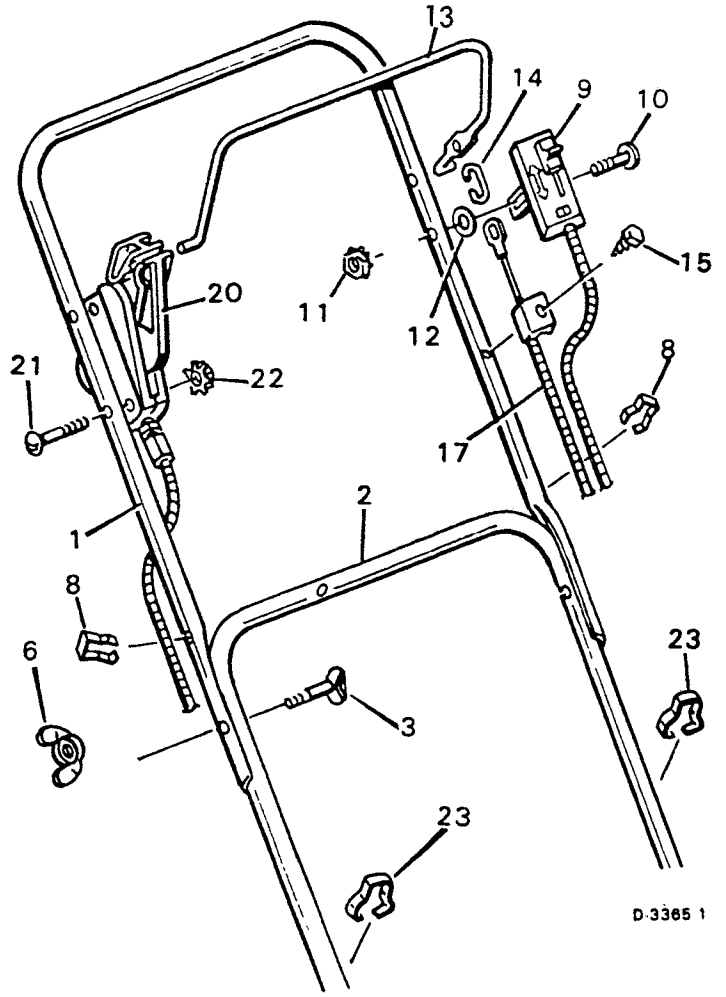
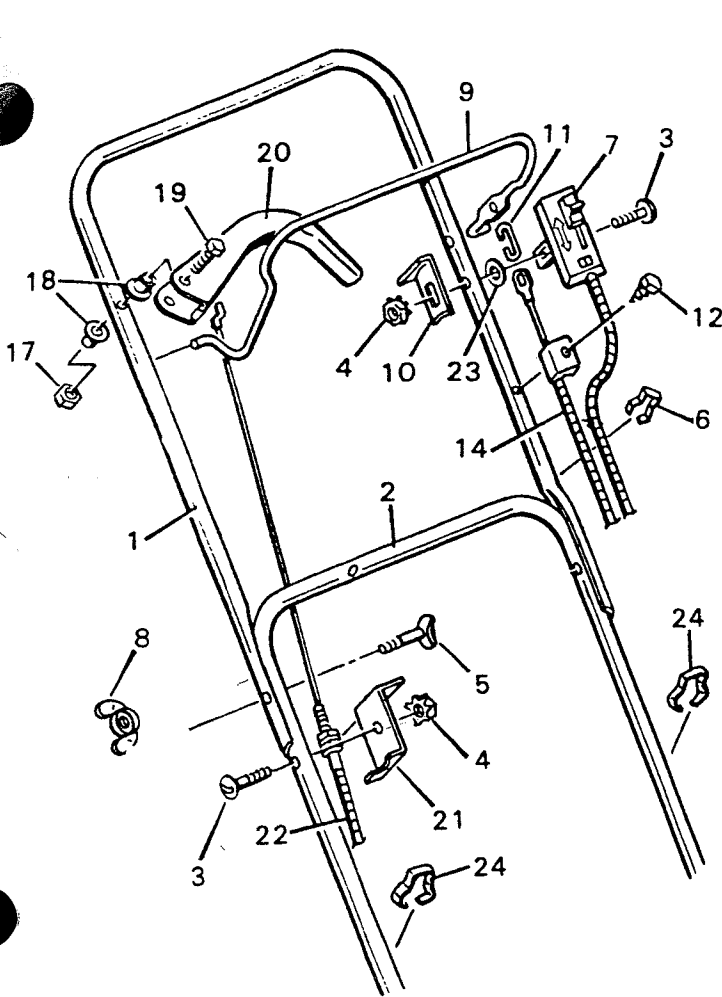
KEY NO.	DESCRIPTION	MODEL 21951	MODEL 21961	KEY NO.	DESCRIPTION	MODEL 21951	MODEL 21961
1	Engine	----	----	42	Flange Hex Nut	15X68	15X68
2	Woodruff Key	20062	20062	43	Wheel & Tire	20105	22125
3	Sprocket	42489	42489	44	Flange Locknut	15X82	15X82
4	Spring Pin	32X64	32X64	45	Engine Mount Bolt	20103	20103
5	Drive Chain	42488	42488	46	Shakeproof Washer	19X8	19X8
6	Pinion Guard	42490	42490	47	Blade Adapter	42346	42346
7	Screw	26X185	26X185	48	Washer	17X137	17X13
8	Hex Bolt	1X38	1X38	49	Blade	22860	22860
9	Shoulder Bolt	9X17	9X17	50	Hex Bolt	1X69	1X69
10	Drive Arm Mounting Bracket L.H.	42481Z	42481Z	51	Latch	42415Z	42415
11	Drive Arm Mounting Bracket R.H.	42482Z	42482Z	52	Latch Pin	42416Z	42416
12	Drive Arm R.H.	42484Z	42484Z	53	Push On Caps	28X42	28X42
13	Drive Arm L.H.	42483Z	42483Z	54	Spring	166X20	166X2
14	Bearing Retainer Bracket	42485Z	42485Z	55	Lower Handle	42579C	42579
15	Bearing	20048	20048	56	U-Bolt	42361Z	42361
16	Washer	17X100	17X100	57	Keps Nut	15X66	15X66
17	Sprocket & Drive Shaft	42479Z	42479Z	58	Contour Bolt	6X73	6X73
18	Keps Nut	15X76	15X76	59	Wing Nut	14X83	14X83
19	Hex Bolt	1X45	1X45	60	Hex Bolt	1X38	1X38
20	Shoulder Bolt	9X1	9X1	61	Rear Guard	70061	70061
21	Drive Pinion	20066	20066	62	Flange Locknut	15X89	15X89
22	Spring Pin	32X64	32X64	63	Grip-Door Lever	42423	42423
23	Flange Locknut	15X84	15X84	64	Insert Ass'y	42448E	42448
24	Retainer Ring	11X8	11X8	65	Torsion Spring	166X21	166X2
25	Spring	166X14	166X14	66	Spacer	22941	22941
26	Spring	166X15	166X15	67	Washer	17X104	17X10
27	Tie Rod & Pulley Bracket	42491	42491	68	Door Spring Tube	42412C	42412
28	Wheel Connect Lever	42486Z	42486Z	69	Hex Bolt	1X87	1X87
29	Flange Locknut	15X88	15X88	70	Hex Nut Flange	15X68	15X68
30	Shoulder Bolt	9X8	9X8	71	Rear Plate	42408E	42408
31	Spring Pin	32X70	32X70	72		42365	42365
32	Tapping Screw	26X195	26X195	73	Door Lock Spring	42413	42413
33	Bracket & Pulley Ass'y	22973	22973	74	Spacer	42420	42420
34	Housing Ass'y	70060	70060	75	Screw	25X2	25X2
35	Handle Mounting Bracket	42422C	42422C	76	Rope Stop	42189	42189
36	Hex Bolt	1X85	1X85	77	Bag Frame Ass'y	42433	42433
37	Flange Locknut	15X84	15X84	78	Upper Support Tube	42432	42432
38	Height Adj. Ass'y**	----	----	79	Bag Mesh	42430	42430
39	Cotter Hair Pin	20101	20101	80	Shroud Ass'y w/oil fill hole	----	70064
40	Washer	17X102	17X102	81	Screw	----	26X23
41	Stover Nut	15X12	15X12	82	Screw	6X75	6X75
				83	Door	42419E	42419E
				84	Door Lever Ass'y	407064	407064
				85	Washer	17X124	17X124
				86	Spring-Cable	165X8	165X8
				87	Instruction Book	F-6805	F-6805
					Parts Bag	42657	42658

\*\* See Page 29 For Height Adjuster Assembly.

†For Model 4-21951A  
Parts Bag use 42805

# HANDLE PARTS LIST

# MODEL 4-21951, 4-21961 4-21951A



D-3365 1

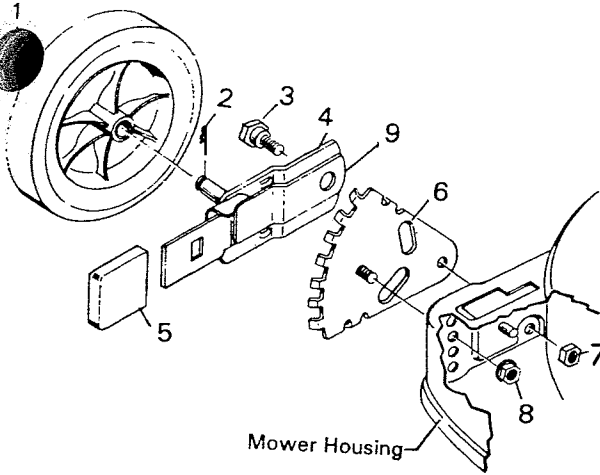
KEY NO.	DESCRIPTION	PARTS NO.
1	Upper Handle	42427C
2	Lower Handle	42579C
3	Bolt	3X105
4	Keps Nut	15X66
5	Bolt for wingnut	6X73Z
6	Cable Retainer, Metal	42188
7	Throttle Control, Lever	42095
8	Wingnut	14X83Z
9	Engine Stop Lever	42388C
10	Handle Stop	42748Z
11	Hook	75079
12	Screw	26X220
14	Engine Stop Cable	42365
17	Flange Locknut	15X89
18	Spacer	42360
19	Bolt	1X90
20	Clutch Lever	42390C
21	Clutch Cable Bracket	42679Z
22	Clutch Cable	42564
23	Washer	17X32Z
24	Cable Retainer - Lower	42744

KEY NO.	DESCRIPTION	PARTS NO.
1	Upper Handle	42428C
2	Lower Handle	42579C
3	Bolt for Wingnut	6X73Z
6	Wing Nut	14X83Z
8	Cable Retainer, Metal	42188
9	Throttle Control, Lever	42095
10	Bolt	3X105
11	Keps Nut	15X66
12	Washer	17X32Z
13	Engine Stop Lever	42561C
14	Hook	75079
15	Screw	26X220
17	Engine Stop Cable	42365
20	Drive Control Ass'y Drive Control Cable Only	42752 404070 404069
21	Bolt	3X147
22	Nut	15X71
23	Cable Retainer-Lower	42744

**SIDE BAGGER** Murray Parts Call 606-678-9623 or 606-500-4002  
**MODEL 400255**  
**400256**  
**400270**

Rear Bagger-(For Right Front & Left Rear)

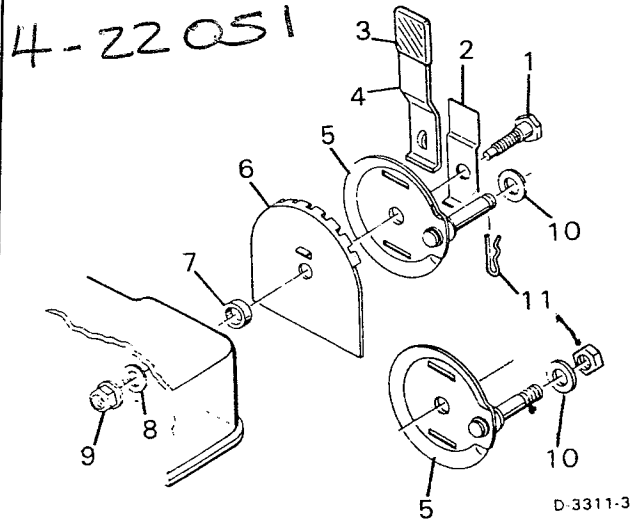
Rear Bagger-(For Left Front & Right Rear)



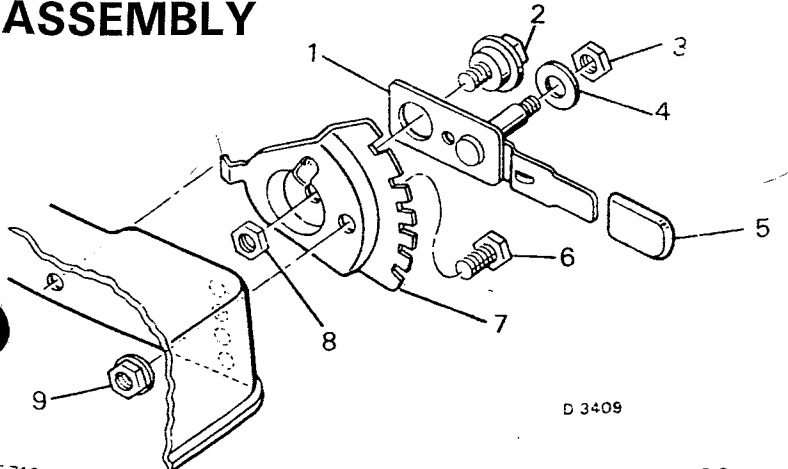
KEY NO.	MODEL 400255	MODEL 400256	MODEL 400270	DESCRIPTION
1	17X102Z	17X102Z	17X102Z	Washer
2	20101	20101	20101	Hair Pin
3	9X9Z	9X90Z	9X20Z	Shoulder Bolt
4	42342Z	42347Z	24347Z	Arm and Axle Assembly
5	20065	20065	20065	Grip
6	42343Z	42472Z	42471Z	Index Plate
7	15X12	15X12	15X12	Flange Locknut
8	15X68Z	15X68Z	15X68Z	Locknut
10	20041	20041	20041	Spring
1-10	400255	400256	400270	Complete Wheel Adjuster

**Standard Wheel Adjuster Assembly**  
**Models 400253 or 400254 - Hairpin Axle**  
**400266 or 400267 - Threaded Axle**

KEY NO.	PART NO.	DESCRIPTION
1	9X24	Shoulder Bolt
2	42330	Spring
3	42280	Grip
4	42338Z	Adjuster Lever
5	42339Z	Wheel Adjuster Bracket W/hole for hair pin
	42596Z	Wheel Adjuster Bracket W/threads for hex nut
6	42336Z	Index Plate
7	42333	Spacer
8	10851Z	Washer
9	15X84	Flange Nut
10	20X3	Washer (Ball Bearing Wheels Only)
11	20101	Hair Pin
	15X84	Hex Nut
1-11		Wheel Adjuster Assembly Right Front or Left Rear
	400253	W/hole in Shaft
	400266	W/Thread on Shaft
1-11		Wheel Adjuster Assembly Left Front or Right Rear
	400254	W/Hole in Shaft
	400267	W/Thread on Shaft



**DELUXE WHEEL ADJUSTOR ASSEMBLY**



KEY NO.	PART NO.	DESCRIPTION
1	42756	Adjuster Lever, Side Bagger
	42757	Adjuster Lever, Rear Bagger
2	9X26	Shoulder Bolt
3	15X84	Hex Nut
4	17X102Z	Washer
5	20065	Grip
6	1X85	Hex Bolt
7	42753Z	Index Plate-LF,RR
	42754Z	Index Plate-RF,LR
8	15X97	Hex Nut
9	15X68Z	Flange Nut
1-9	400275	Height Adj. Ass'y, Rear Bagger (For right front or left rear)
	400276	Height Adj. Ass'y, Rear Bagger (For left front or right rear)
	400277	Height Adj. Ass'y, Side Bagger (For left front or right rear)
	400278	Height Adj. Ass'y, Side Bagger (For right front or left rear)