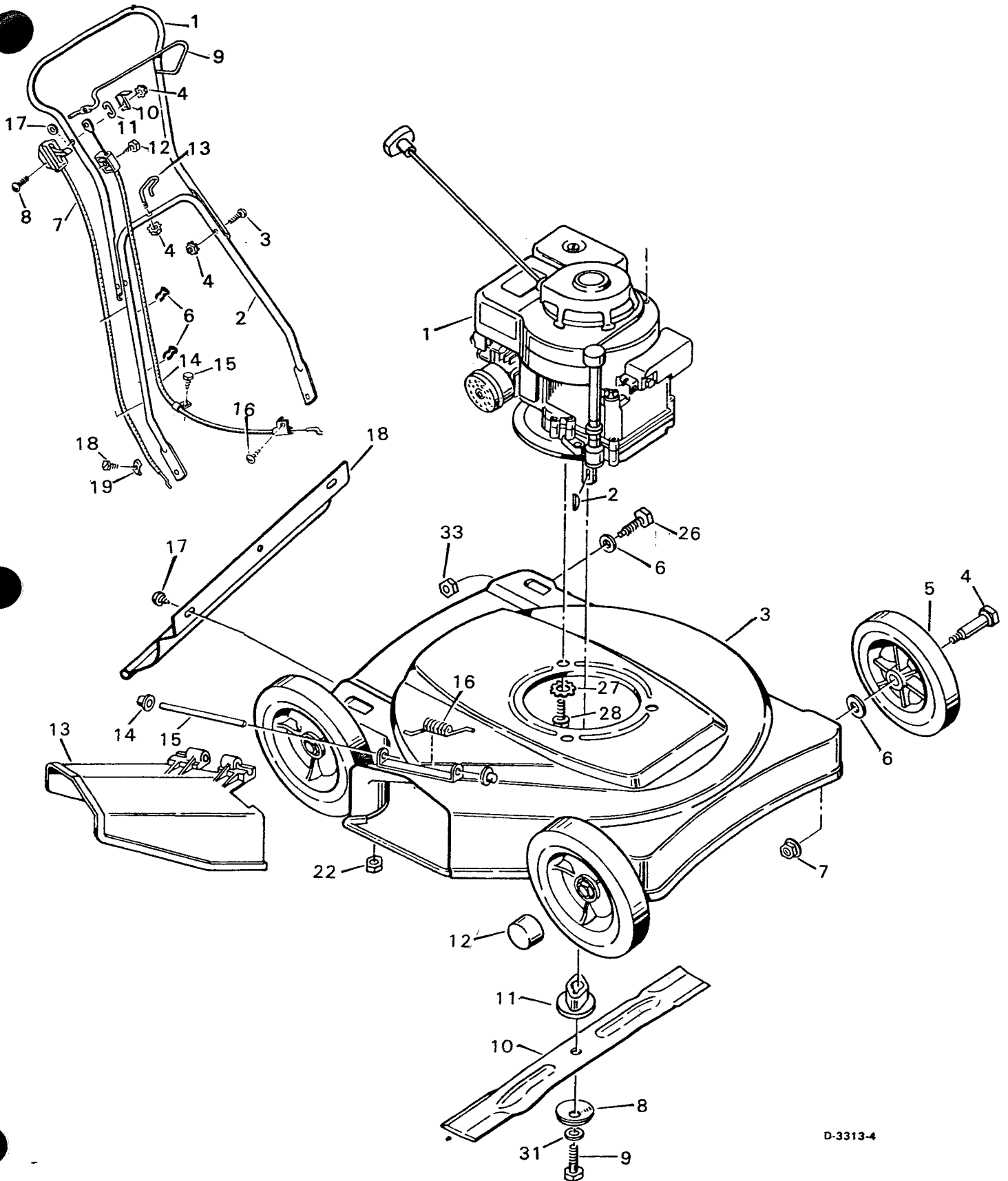


MOWER HOUSING ILLUSTRATION

MODEL 4-20011 (ECONOMY PACK) — 20" 4-20021



D-3313-4

**MODEL 4-20011 (ECONOMY PACK) – 20”
4-20021**

**MOWER HOUSING
ILLUSTRATION**

KEY NO.	DESCRIPTION	20”
1	Engine	----
2	Woodruff Key	20062
3	Housing-for Non-folding Handle	70050
4	Axle Bolt	9X10Z
5	Wheel and Tire	20270
6	Washer	10851Z
7	Flange Locknut	15X68Z
8	Blade Washer	17X137
9	Hex Bolt	1X68
10	Blade	20045
11	Blade Adapter	42345
13	Chute Deflector	20454
14	Push On Cap	28X42
15	Pivot Pin	22050Z
16	Spring	166X5
17	Screw	26X219
18	Rear Guard	42586
26	Bolt	1X70
27	Washer	19X8
28	Engine Bolt	20103
31	Washer	17X124
33	Hex Nut	15X70
	Instruction Book	F-6803
	Parts Bag (4-20021)	42800
	Parts Bag (4-20011)	42801

HANDLE PARTS LIST

KEY NO.	DESCRIPTION	PARTS NO.
1	Upper Handle	42371C
2	Lower Handle	42383C
3	Bolt	3X136Z
4	Keys Nut	15X66
6	Cable Retainer, Metal	42188
7	Throttle Control, Slide	42096
8	Bolt	3X136Z
9	Engine Stop Lever	42386C
10	Handle Stop	42748Z
11	Hook	75079
12	Screw	26X220
13	U-Bolt	42361Z
14	Engine Stop Cable	42363
15	Screw	26X224
16	Screw	6X75
17	Washer	17X32Z
18	Screw	26X181
19	Clamp	20073