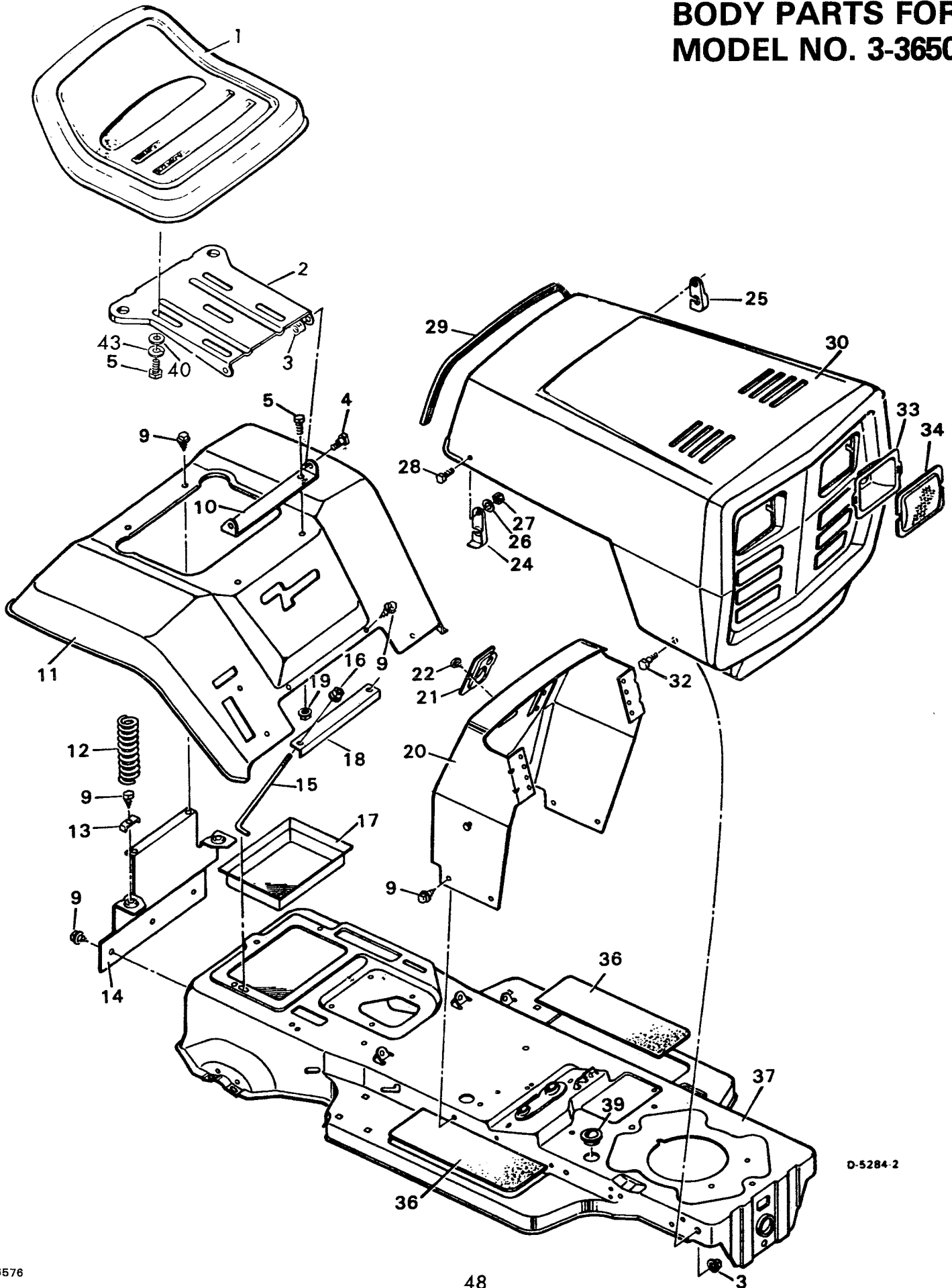


BODY PARTS FOR MODEL NO. 3-36509



D-5284-2

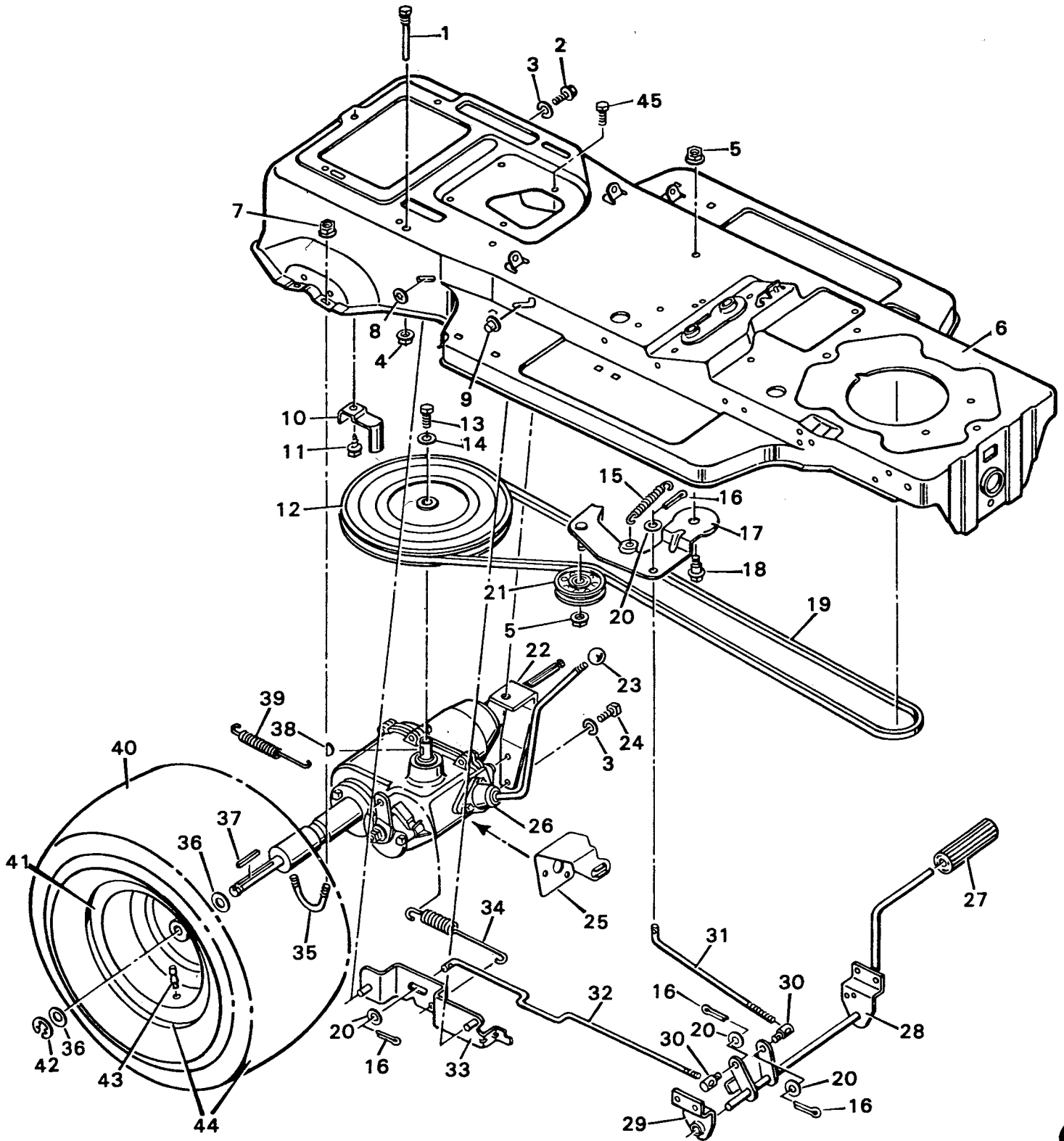
**BODY PARTS FOR
MODEL NO. 3-36509**

PARTS LIST

KEY NO.	DESCRIPTION	PART NO.
1	Seat Assembly	90368
2	Seat Support	90032
3	Flange Locknut 3/8"-16	15X84
4	Shoulder Bolt 3/8"-16X7/8"	9X15
5	Hex Bolt 5/16"-18X1/2"	1X92
9	Screw	26X49
10	Pivot Bracket	90031
11	Seat Deck	90064
12	Spring	164X11
13	Spring Retainer	90014
14	Seat Deck Support	90007
15	Clamp Rod-Battery	90456Z
16	Flange Hex Nut	15X82Z
17	Battery Tray	24157
18	Battery Clamp	21761Z
19	Flange Locknut 5/16"-18	15X88
20	Dashboard Assembly	90200
21	Bearing - Steering Post	90081
22	Screw	26X186
24	Hood Latch - R.H. *	90464Z
25	Hood Latch - L.H. *	90465Z
26	Washer*	17X17Z
27	Hex Nut #10-24*	15X81
28	Machine Screw #10-24X1/2"*	4X20Z
29	Edge Trim*	90240
30	Hood Assembly - Without hole	90469
32	Shoulder Bolt	9X14
33	Reflector, Headlamp	90009C
34	Lens, Headlamp	90082
36	Mat - Foot Rest	90148
37	Frame Channel	90001
39	Grommet	21268
40	Washer	17X47Z
43	Lock Washer	18X16
--	Parts Bag Assy.	90457
--	Owners Manual	F-6552

NOTE: These numbers are included in with key no. 30.

DRIVE PARTS FOR MODEL NO. 3-36509



PARTS LIST**DRIVE PARTS FOR
MODEL NO. 3-36509**

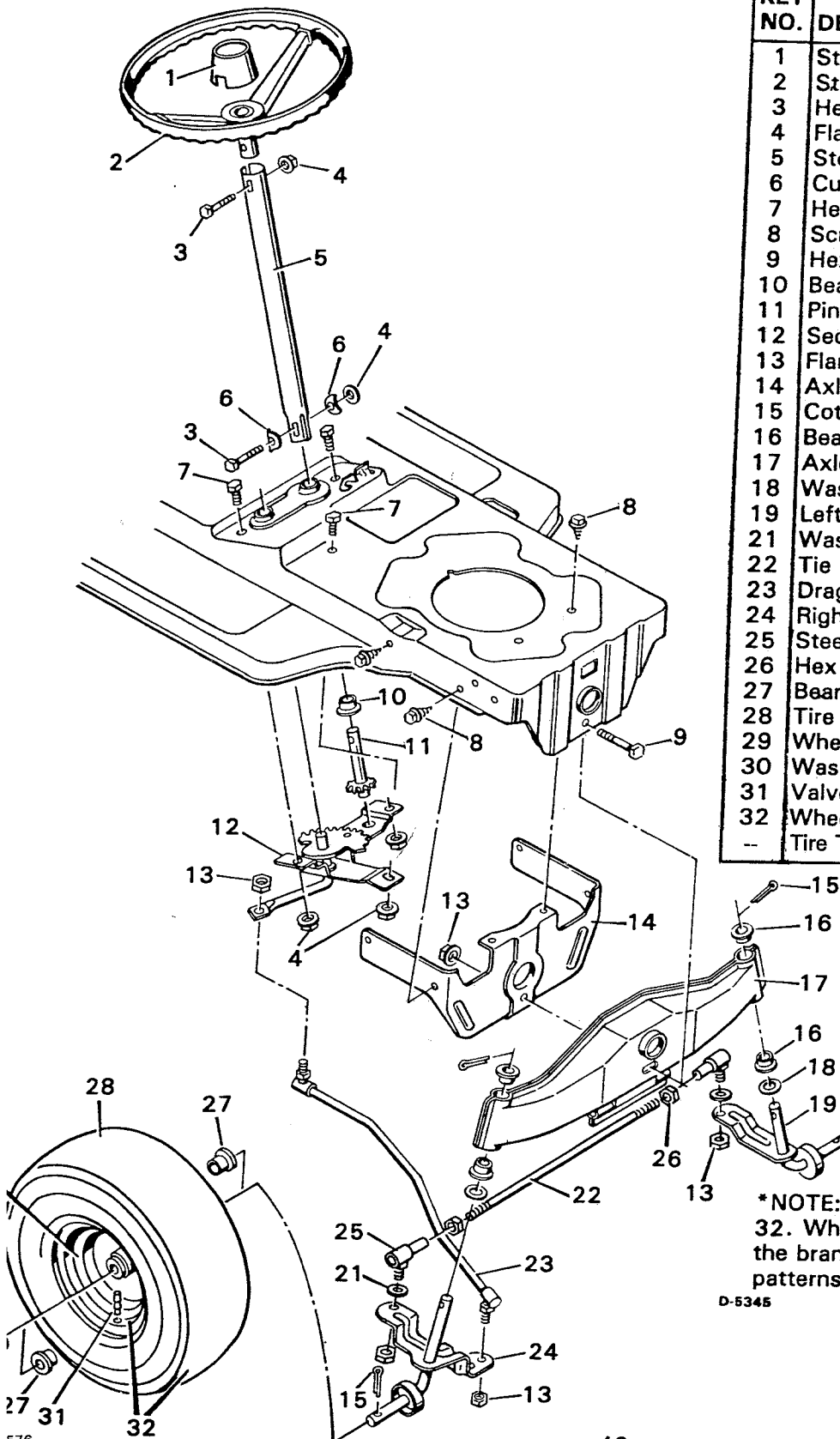
KEY NO.	DESCRIPTION	PART NO.
1	Guide Bolt	20619
2	Torx Flange Head Screw 5/16"-18X1"	6X70
3	Lockwasher	18X15
4	Flange Nut 5/16"-18	15X79
5	Flange Locknut 3/8"-18	15X84
6	Frame Channel	90001
7	Flange Locknut 5/16"-18	15X88
8	Push Nut	28X44
9	Cap Retainer	28X48
10	Belt Guide	90008
11	Screw	26X49
12	Pulley	21447
13	Hex Bolt 1/4"-20X5/8"	1X38Z
14	Spring Lockwasher	18X30
15	Extension Spring	165X31
16	Cotter Pin	30X20
17	Idler Bracket Assembly	90011Z
18	Shoulder Bolt 3/8"-16X7/8"	9X12
19	Drive Belt	37X31
20	Washer	17X53Z
21	Idler Pulley	21409
22	Transaxle Support	90304Z
23	Knob - Shift Lever	20844
24	Hex Bolt 5/16"-18X1"	1X84
25	Shifter Spring	90354
26	Transaxlet Peerless # 601-003	601-003
27	Clutch and Brake Pedal	21544
28	Lever Assembly	90027
29	Support Bracket	90013
30	Adjusting Nut	21920
31	Clutch Rod	90066Z
32	Brake Rod	90067Z
33	Brake Link Assembly	90068Z
34	Brake Spring	165X35
35	U-Bolt	90017Z
36	Transaxle Washer	21521
37	Square Key 3/16"X2"	21553
38	Woodruff Key No. 61	21539
39	Spring	165X34
40	Tire Only*	24375
41	Wheel Only*	24351E
42	E-Ring	11X3
43	Valve Stem and Cap*	24373
44	Wheel and Tire Assembly	24377
45	Hex Bolt	1X45
46	Lockwasher	18X16
--	Tire Tube	407049

NOTE: These numbers are included in key no 44. When ordering replacement parts specify the brand name of the tire.
 *NOTE: All parts pertaining to this transmission are available from Tecumseh Parts and Service Centers listed in the yellow pages of the telephone directory under "Engines, Gasoline" or "Gasoline Engines".

Complete illustration of transaxle shown on page 124 & 125.

STEERING PARTS FOR MODELS 3-36509 3-36508

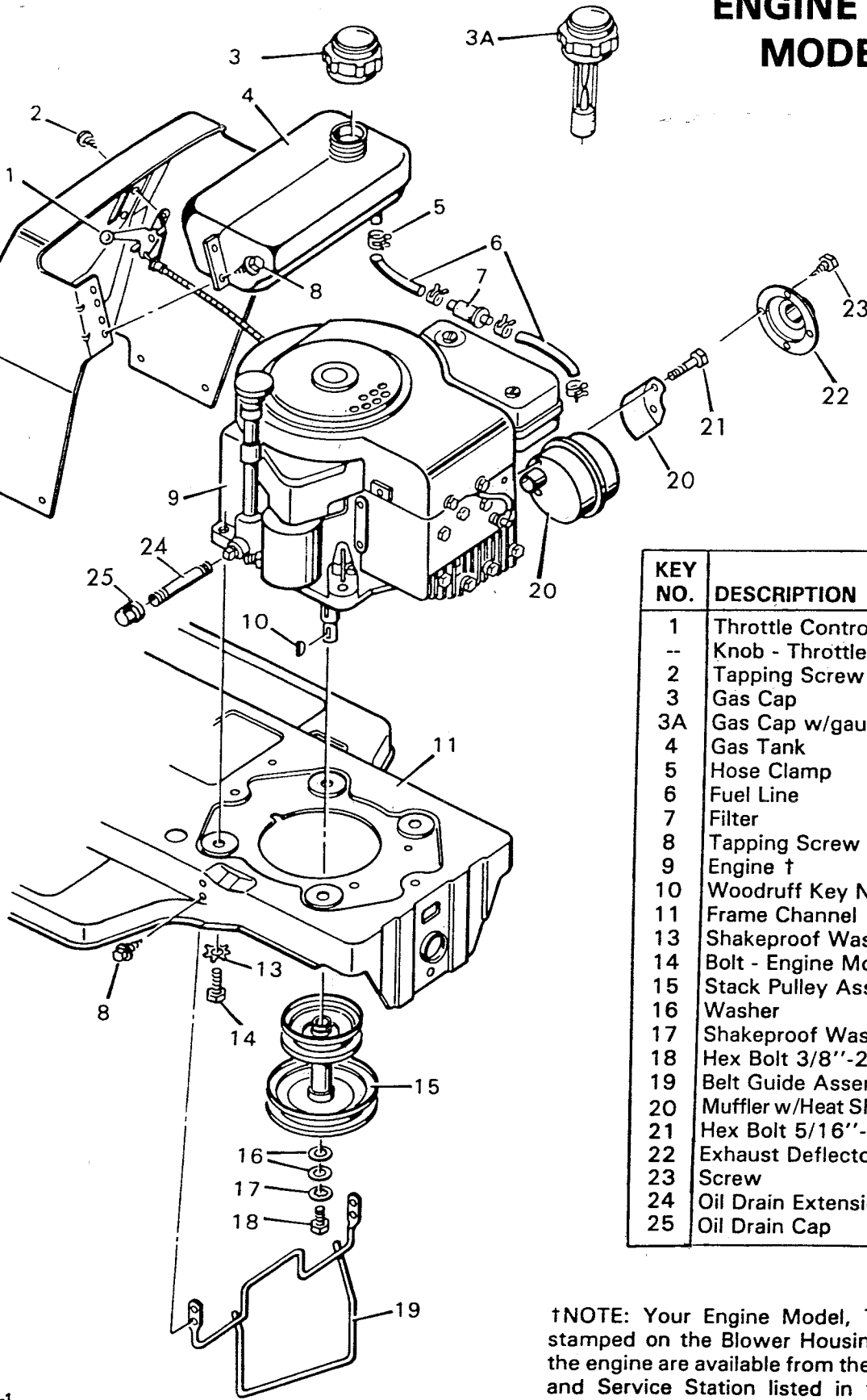
KEY NO.	DESCRIPTION	PART NO.
1	Steering Wheel Cap	23573
2	Steering Wheel	90126
3	Hex Bolt 5/16"-18X1 1/2"	1X102
4	Flange Nut	15X88
5	Steering Post	90130C
6	Cup Washer	17X47Z
7	Hex Bolt 5/16"-18X5/8"	1X45
8	Screw	26 X 49
9	Hex Bolt 3/8"-24X3 1/4"	1X101
10	Bearing	90096
11	Pinion Gear & Shaft	90132
12	Sector Gear Assembly	90025
13	Flange Locknut 3/8"-24	15X87
14	Axle Support - Front	90002
15	Cotter Pin	30X49
16	Bearing	90035
17	Axle Assembly	90034
18	Washer	17X113
19	Left Hand Spindle Assembly	90037
21	Washer	17X124
22	Tie Rod	21475
23	Drag Link Assembly	90041
24	Right Hand Spindle Assembly	90036
25	Steering Ball Joint	21031
26	Hex Nut	15X61
27	Bearing*	24367
28	Tire Only*	24376
29	Wheel Only*	24355E
30	Washer	17X83Z
31	Valve Stem & Cap*	24373
32	Wheel Assembly	24378
--	Tire Tube	407047



*NOTE: These Parts are included with key no. 32. When ordering replacement parts specify the brand name of the tire to insure that tread patterns on tire match.

D-5345

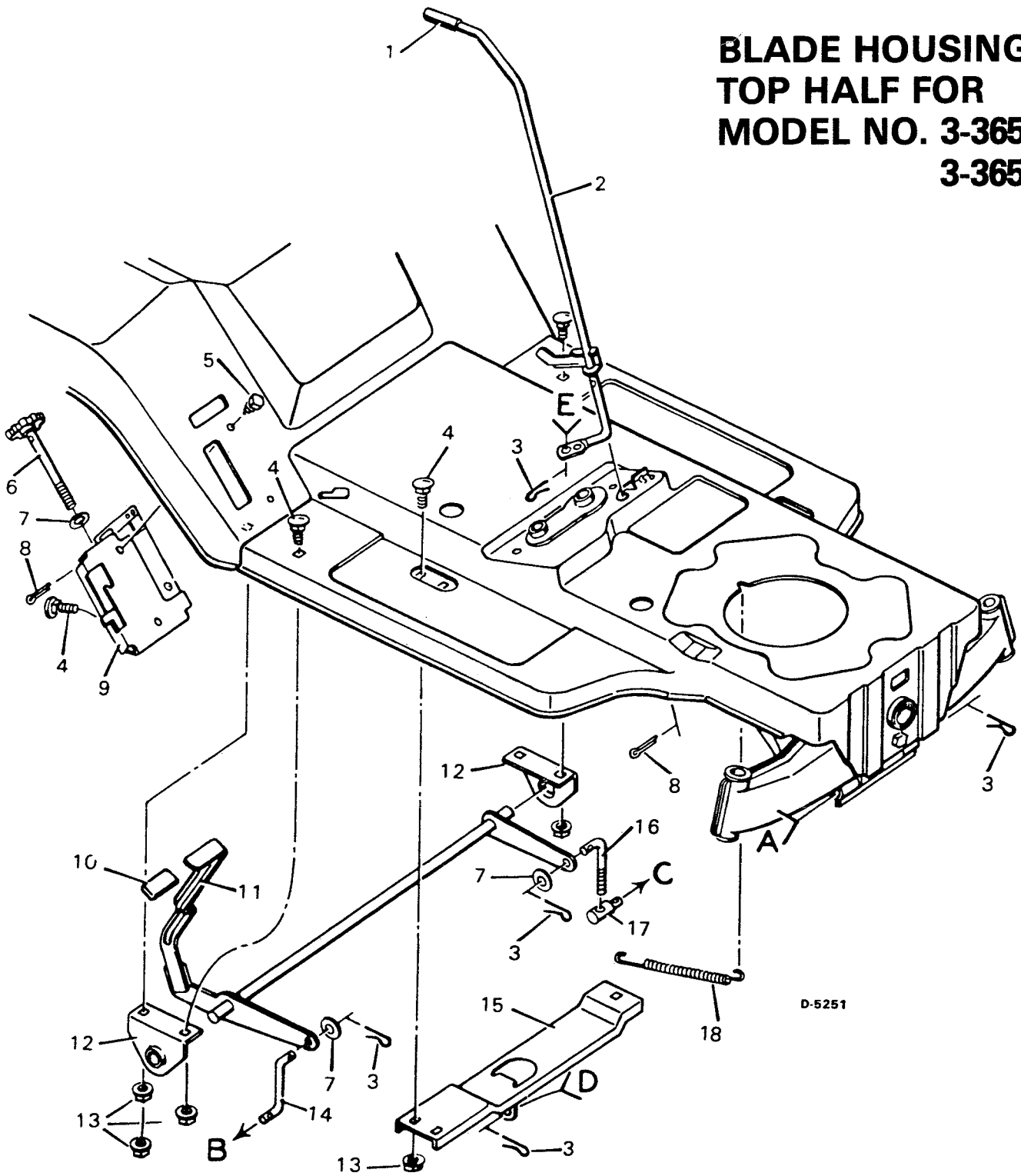
ENGINE MOUNT FOR MODELS NO. 3-36509 3-36508



KEY NO.	DESCRIPTION	PART NO.
1	Throttle Control & Cable	90095
--	Knob - Throttle Control	20339
2	Tapping Screw	26X159
3	Gas Cap	23711
3A	Gas Cap w/gauge	24064
4	Gas Tank	23300
5	Hose Clamp	23713
6	Fuel Line	23715
7	Filter	24159
8	Tapping Screw	26X214
9	Engine †	-----
10	Woodruff Key No. 6	20062
11	Frame Channel	90001
13	Shakeproof Washer	19X8
14	Bolt - Engine Mount	20103
15	Stack Pulley Assembly	90329Z
16	Washer	10851Z
17	Shakeproof Washer	19X39
18	Hex Bolt 3/8"-24X1"	1X20
19	Belt Guide Assembly	90276Z
20	Muffler w/Heat Shield	90330PA
21	Hex Bolt 5/16"-18X3 1/4"	1X118
22	Exhaust Deflector	23740Z
23	Screw	26X203
24	Oil Drain Extension	24066
25	Oil Drain Cap	21651

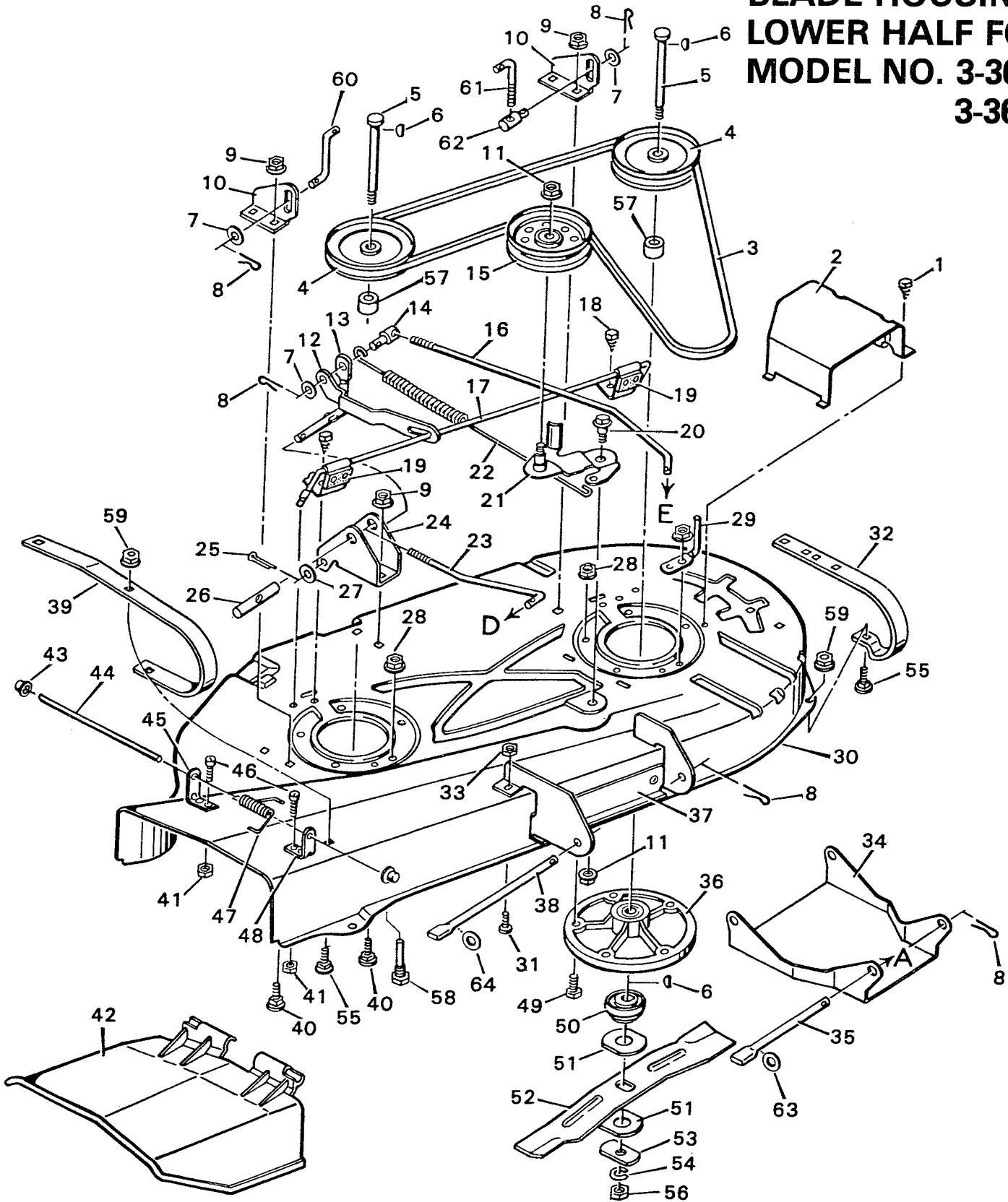
†NOTE: Your Engine Model, Type & Code Number is stamped on the Blower Housing. All parts pertaining to the engine are available from the Briggs and Stratton Parts and Service Station listed in the yellow pages of the classified Telephone Directory.

**BLADE HOUSING
TOP HALF FOR
MODEL NO. 3-36509
3-36508**



KEY NO.	DESCRIPTION	PART NO.	KEY NO.	DESCRIPTION	PART NO.
1	Grip	20476	10	Grip	23340
2	Control Lever Assembly	90030Z	11	Lifter Assembly	90043
3	Hair Pin	75336	12	Hanger Bracket	90042
4	Carriage Bolt	2X64	13	Hex Flange Nut	15X79
5	Screw	26X49	14	Lifter Rod	90099Z
6	Adjusting Screw Assembly	90078Z	15	Support Channel	90028
7	Washer	17X53Z	16	Adjusting Rod	90100Z
8	Cotter Pin	30X20	17	Adjusting Nut	21920
9	Height Adjuster Brkt. Assembly	404063	18	Spring	165X32

BLADE HOUSING LOWER HALF FOR MODEL NO. 3-36509 3-36508



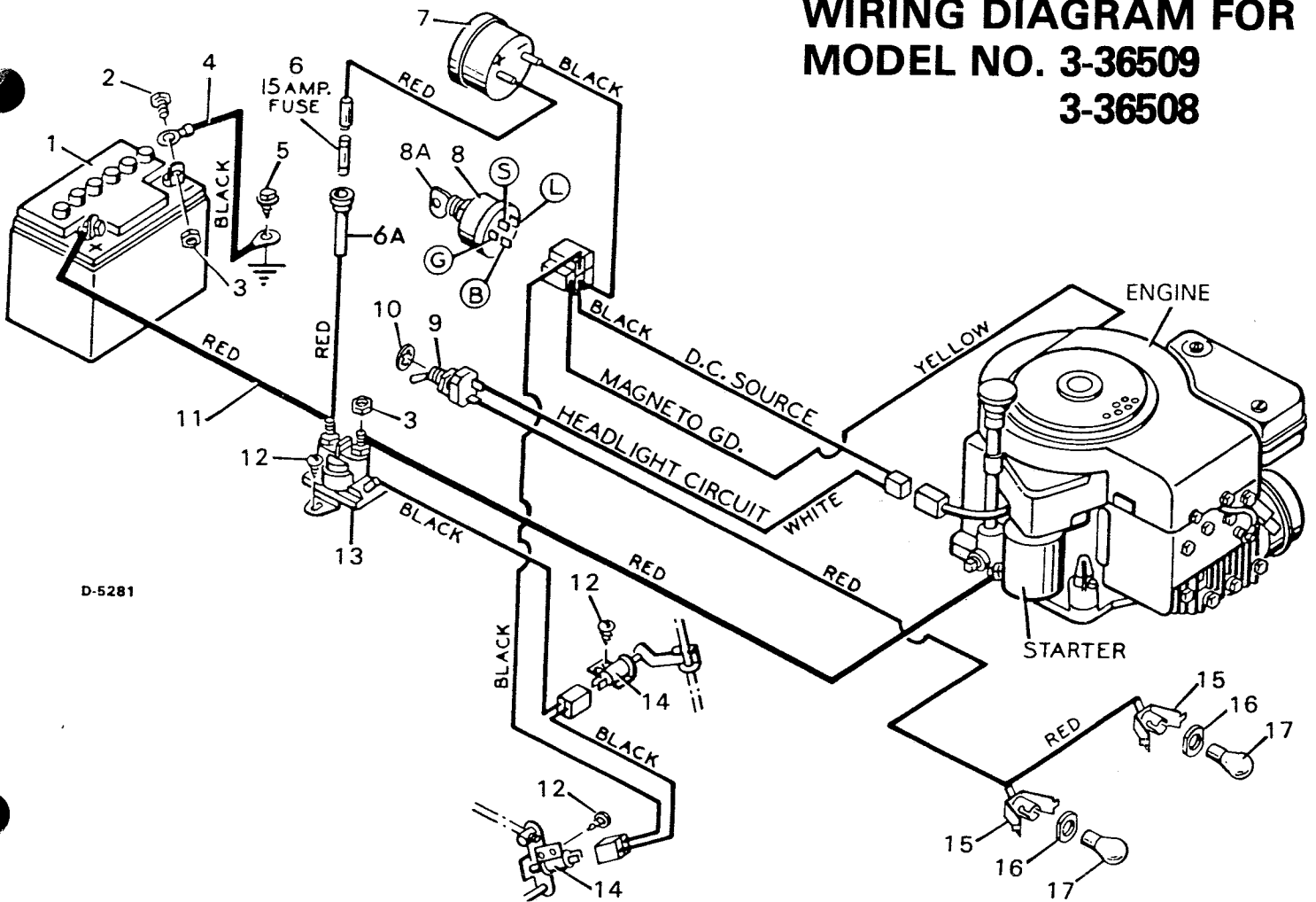
PARTS LIST

**BLADE HOUSING
LOWER HALF FOR
MODEL NO. 3-36509
3-36508**

KEY NO.	DESCRIPTION	PART NO.	KEY NO.	DESCRIPTION	PART NO.
1	Screw	26X214	33	Locknut ¼"-20	15X67
2	Pulley Cover	90117	34	Front Hanger	90106
3	Belt-Blade Drive	37X39	35	Hanger Rod	90133Z
4	Jackshaft Pulley	23739	36	Jackshaft Housing Assembly	24384
5	Jackshaft	24578	37	Front Hanger Bracket	90401
6	Woodruff Key No. 6	20062	38	Hanger Rod	90107Z
7	Washer	17X53Z	39	Right Hand Skid	90392
8	Hairpin	75336	40	Carriage Bolt 5/16" 18X5/8"	2X53
9	Flange Nut 5/16"-18	15X79	41	Hex Nut #10-24	15X81
10	Lifter Bracket	90103	42	Chute Deflector	21154
11	Flange Locknut 3/8"-16	15X84	43	Push On Cap	28X23
12	Brake Bar	90121Z	44	Deflector Rod	21198Z
13	Pivot Lever	90113Z	45	Rear Deflector Bracket	21187
14	Adjusting Nut	90115Z	46	Machine Screw #10-24X5/8	4X21
15	Idler Pulley	90118	47	Torsion Spring	166X4
16	Control Rod	90114Z	48	Front Deflector Bracket	21186
17	Blade Brake Rod	90122Z	49	Hex Bolt 5/16" 18X1"	1X84
18	Screw	26X214	50	Blade Adapter	20617
19	Spring Assembly	90123	51	Blade Washer	21673Z
20	Shoulder Bolt 3/8"-16X7/8"	9X12	52	Blade - 36"	20930
21	Idler Bracket Assembly	90110Z	53	Washer	20663Z
22	Spring	165X33	54	Lockwasher	18X27
23	Link Rod	90108Z	55	Carriage Bolt	2X39
24	Rear Hanger Bracket	90104	56	Hex Nut-Blade Mount ½"-20	15X72
25	Cotter Pin	30X20	57	Jackshaft Spacer	24533Z
26	Adjusting Bar	90109	58	Guide Screw	20619
27	Washer	17X102	59	Hex Nut	15X82
28	Flange Locknut 5/16"-18	15X88	60	Lifter Rod	90099Z
29	Belt Guide	90120Z	61	Adjusting Rod	90100Z
30	Blade Housing*	90390	62	Adjusting Nut	21920
	Complete Blade Housing Ass'y#	407918	63	Washer	17X122Z
32	Left Hand Skid	90353	64	Washer	17X57Z

*Blade Housing includes Key No.'s 9, 10, 24, 30, 32, 37, 39, 40, 41, 45, 46, 48, 55, 59.
#Complete Blade Housing Assembly includes Key No's 1 thru 64.

WIRING DIAGRAM FOR MODEL NO. 3-36509 3-36508



KEY NO.	DESCRIPTION	PART NO.
1	Battery - 30 AMP HOUR	21075
--	Electrolyte (Battery Acid)	21079
--	Battery Caps	400262
2	Hex Bolt 1/4"-20X5/8"	1X38
3	Keps Nut 1/4"-20	15X66
4	Battery Cable - Black	24X9
5	Screw	26X49
6	Slow-Blowing Fuse	23752
6A	Fuse Holder	407058
7	Ammeter Assembly	21057PA
8	Key Switch W/A.C. Term	21064PA
8A	Key & Ring-Only	20729
9	Light Switch	20899PA
10	Shakeproof Washer	19X36
11	Battery Cable	24X17
12	Screw	26X185
13	Solenoid	24285
14	Safety Switch	24273
15	Socket Assembly	90155
16	Washer, Headlamp	90228
17	Bulb, Headlamp	90084
--	Wiring Harness	90062