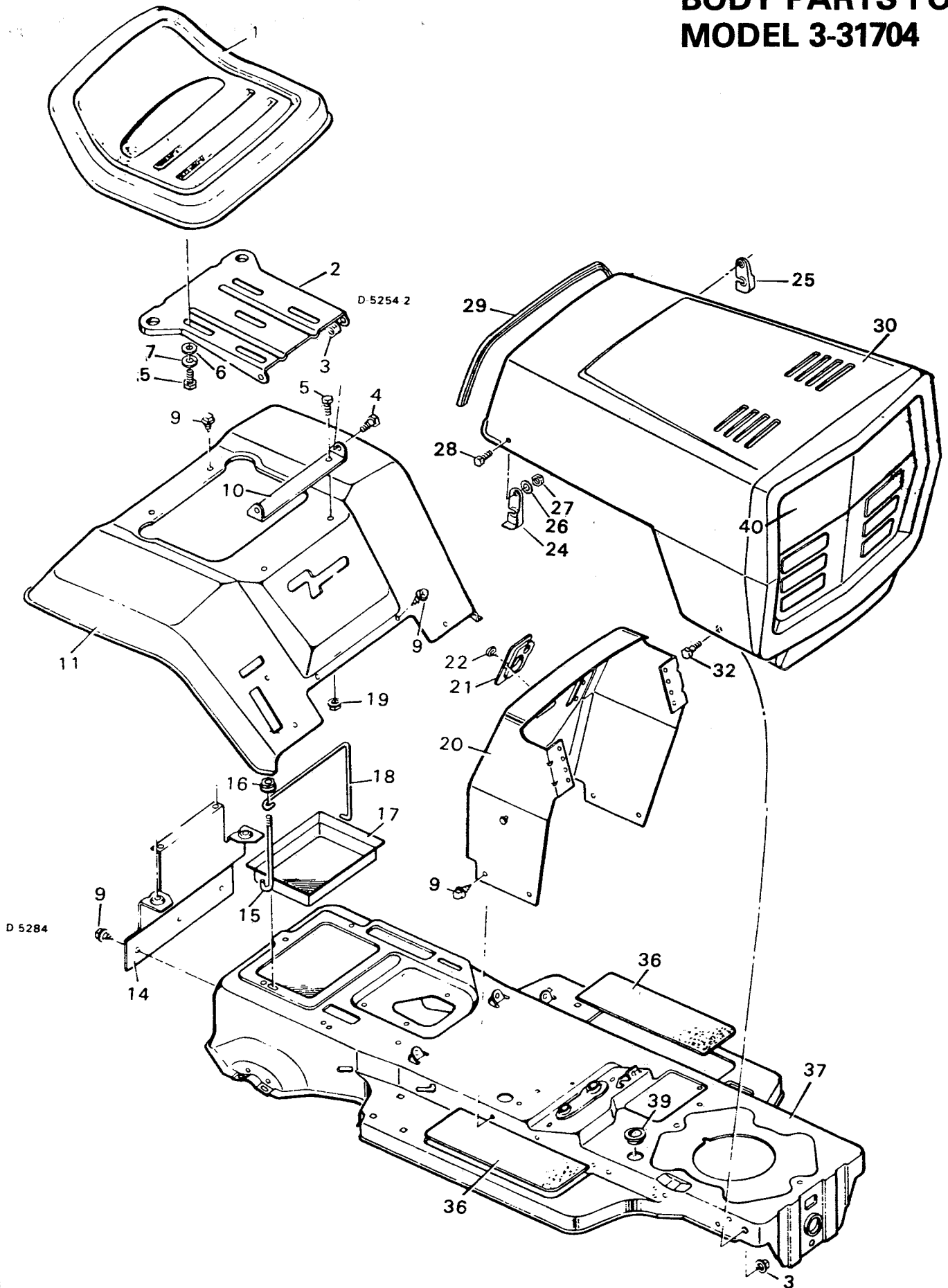


BODY PARTS FOR MODEL 3-31704

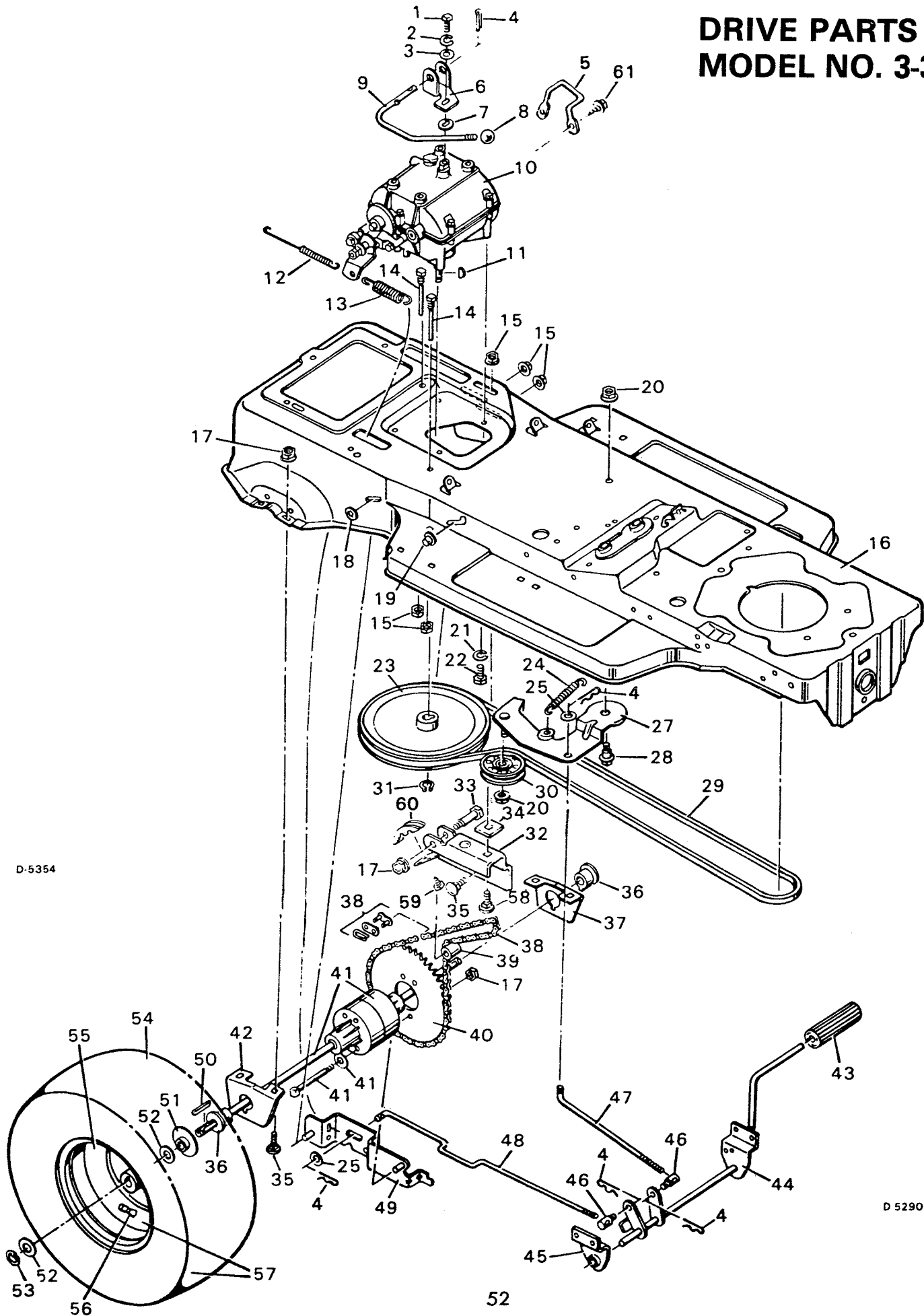


**BODY PARTS FOR
MODEL NO. 3-31704****PARTS LIST**

KEY NO.	DESCRIPTION	PART NO.
1	Seat Assembly	90368
2	Seat Support	90033
3	Flange Locknut 3/8"-16	15X84
4	Shoulder Bolt 3/8"-16X7/8"	9X15
5	Hex Bolt 5/16"-18X1/2"	1X92
6	Washer	17X47Z
7	Lockwasher	18X16
9	Screw	26X49
10	Pivot Bracket	90031
11	Seat Deck	90182
14	Seat Deck Support	90007
15	Clamp Rod-Battery	90355Z
16	Flange Hex Nut	15X82
17	Battery Tray	24157
18	Battery Hold-down Wire	90021Z
19	Flange Locknut 5/16"-18	15X88
20	Dashboard Assembly	90201
21	Bearing - Steering Post	90081
22	Screw	26X186
24	Hood Latch - R.H.*	90464Z
25	Hood Latch - L.H.*	90465Z
26	Washer*	17X17Z
27	Hex Nut #10-24*	15X81
28	Machine Screw #10-24X1/2"*	4X20Z
29	Edge Trim*	90240
30	Hood Assembly-Complete	90471
32	Shoulder Bolt 3/8"-16X7/8"	9X14Z
36	Mat - Foot Rest	90148
37	Frame Channel	90000
39	Grommet	21268
40	Grille Plate	90463C
---	Parts Bag	90457
---	Owners Manual	F-6230

*NOTE: These numbers are included in with key no. 30.

DRIVE PARTS FOR MODEL NO. 3-31704



D-5354

D 5290

F-6576

DRIVE PARTS FOR MODEL NO. 3-31704

KEY NO.	DESCRIPTION	PART NO.	KEY NO.	DESCRIPTION	PART NO.
1	Hex Bolt ¼"-28X½"	1X82	33	Shoulder Bolt 5/16"-18X1.72" **	9X22
2	Spring Lockwasher	18X32	34	Spacer	90177Z
3	Washer	17X32Z	35	Carriage Bolt 5/16"-18X5/8" **	2X53Z
4	Cotter Pin	30X20	36	Axle Bearing	90225
5	Chain Guide	90481Z	37	Bearing Plate-L.H.	90347Z
6	Shifter Yoke	90183Z	38	Roller Chain & Link	90348
7	Washer	17X134	39	Roller **	90176
8	Shift Lever Knob	20739	40	Sprocket—50 T	90188
9	Shift Lever	90192Z	41	Differential Peerless 100-011	100-011†
10	Transmission †Peerless # 754A	†754A	42	Bearing Plate-R.H.	90346Z
11	Woodruff Key No. 9	20697	43	Clutch and Brake Pedal	21544
12	Spring	165X34	44	Lever Assembly	90027
13	Spring	165X7	45	Support Bracket	90013
14	Guide Screw	20619	46	Adjusting Nut	21920
15	Flange Locknut 5/16"-18	15X79Z	47	Clutch Rod	90066Z
16	Frame Channel	90000	48	Brake Rod	90067Z
17	Flange Locknut 5/16"-18**	15X88	49	Brake Link Assembly	90068Z
18	Push Nut	28X44	50	Square Key-3/16"	21553
19	Cap Retainer	28X48	51	Extruded Washer	23041Z
20	Flange Nut 3/8"-16	15X84	52	Transaxle Washer	17X113
21	Spring Lockwasher	18X15	53	E-Ring	11X3
22	Hex Bolt 5/16"-18X3/4"	1X91	54	Tire Only*	24393
23	Pulley	90190	55	Wheel Only*	24391E
24	Extension Spring	165X31	56	Valve Stem and Cap*	24373
25	Washer	17X53Z	57	Rear Wheel—Complete	24392
27	Idler Bracket Assembly	90011Z	58	Carriage Bolt 5/16"-18X3/4"	2X64
28	Shoulder Bolt 3/8"-16X7/8"	9X12	59	Screw **	26X214
29	Drive Belt	37X27	60	Guide Block **	23403
30	Idler Pulley	21409	61	Screw	25X2
31	Retainer Ring	11X7	--	Tube	407048
32	Chain Idler Bracket	90480			

†Complete illustration of transmission shown on page 114.

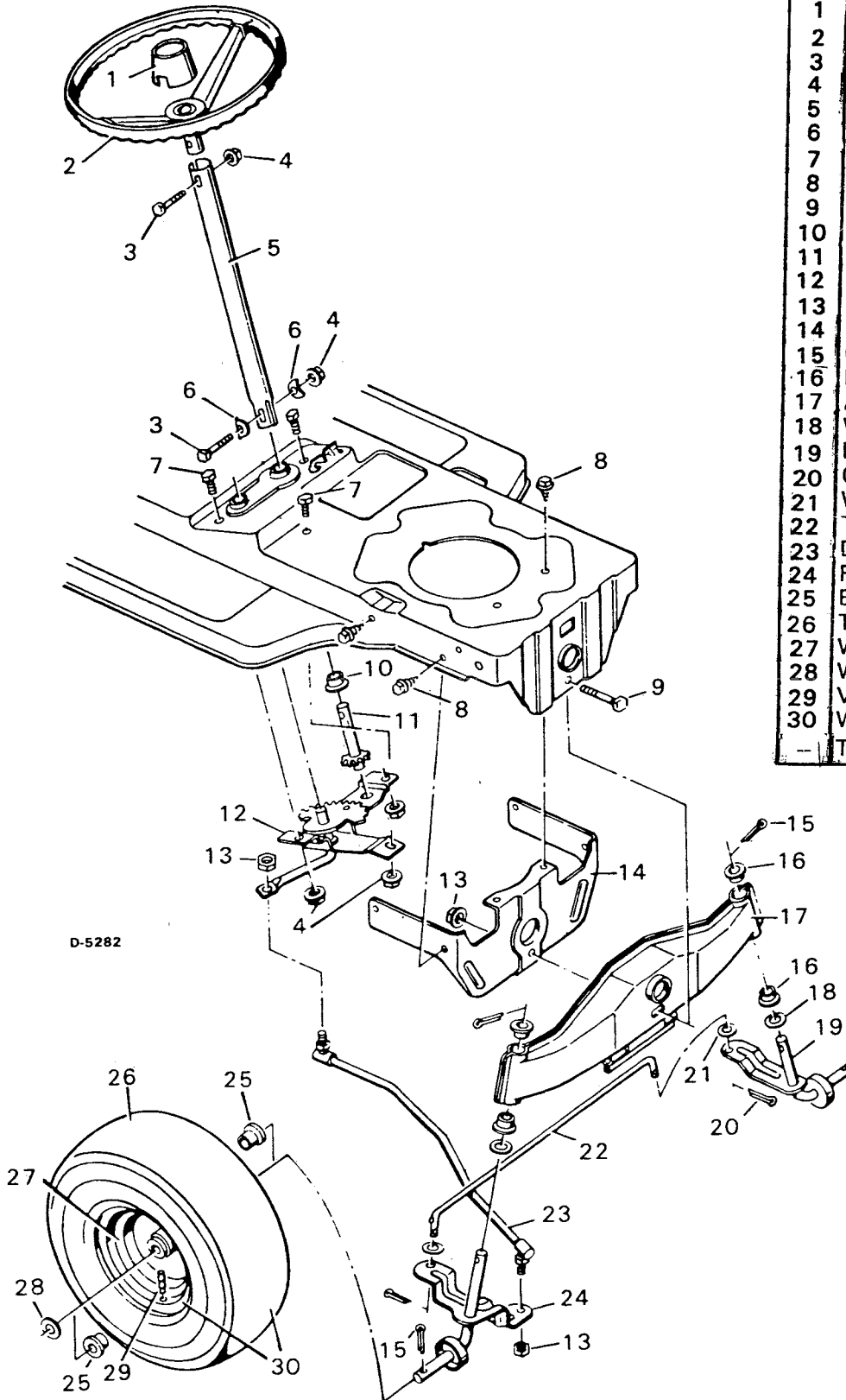
Complete illustration of differential shown on page 112.

†Parts for the Peerless transmission are available through Tecumseh Engine Dealers.

*Included with Key No. 57. When ordering replacement parts specify the brand name of the tire.

**These parts are included when ordering Key No. 32.

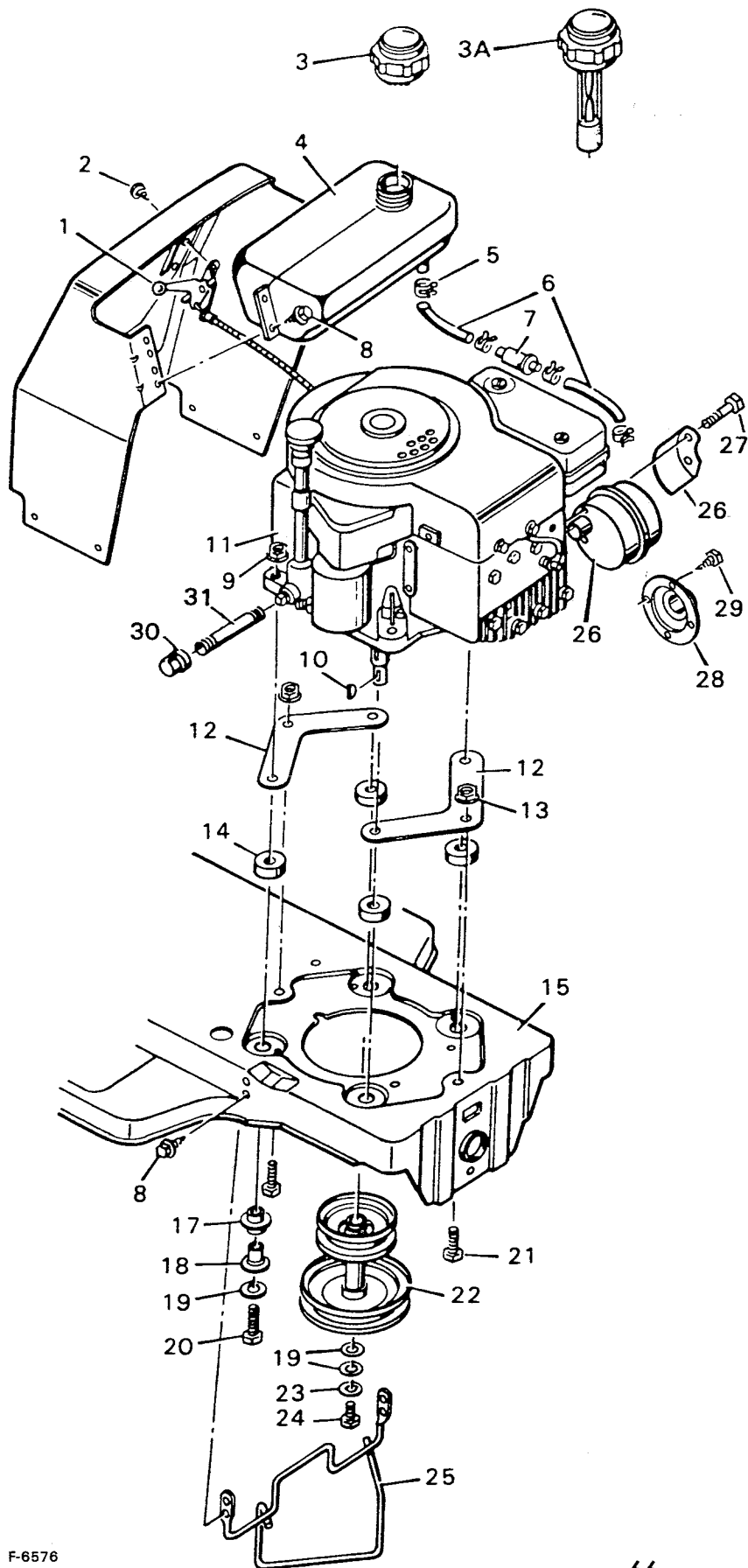
STEERING PARTS FOR MODEL NO. 3-31704



KEY NO.	DESCRIPTION	PART NO.
1	Steering Wheel Cap	23573
2	Steering Wheel	90126
3	Hex Bolt 5/16"-18X1 1/2"	1X102
4	Flange Nut	15X88
5	Steering Post	90130C
6	Washer	17X47Z
7	Hex Bolt 5/16"-18X5/8"	1X45
8	Screw	26X49
9	Hex Bolt 3/8"-24X3 1/4"	1X101
10	Bearing	90096
11	Pinion Gear & Shaft	90132
12	Sector Gear Assembly	90025
13	Flange Locknut 3/8"-24	15X87
14	Axle Support - Front	90002
15	Cotter Pin	30X49
16	Bearing	90035
17	Axle Assembly	90034
18	Washer	17X113
19	Left Hand Spindle Assembly	90139
20	Cotter Pin	30X20
21	Washer	17X57
22	Tie Rod	90038
23	Drag Link Assembly	90041
24	Right Hand Spindle Assembly	90138
25	Bearing*	24367
26	Tire Only*	24407
27	Wheel Only*	24406E
28	Washer	17X83Z
29	Valve Stem & Cap*	24373
30	Wheel Assembly	24403
--	Tire Tube	407046

*NOTE: These key numbers are included in with key no. 30. When ordering replacement parts specify the brand name of the tire to insure that tread patterns on tire match.

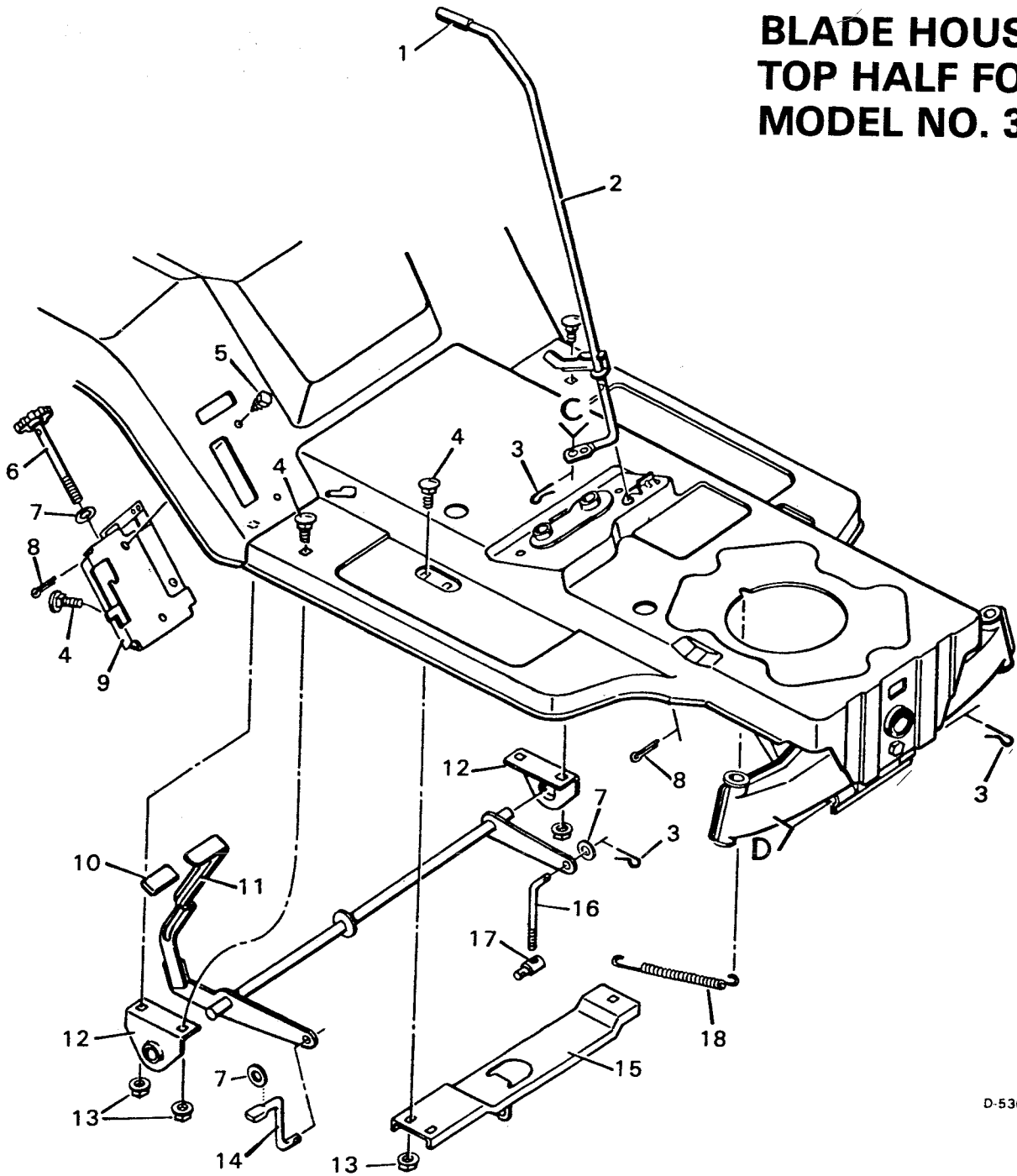
ENGINE MOUNT FOR MODEL NO. 3-31704



KEY NO.	DESCRIPTION	PART NO.
1	Throttle Control & Cable	90095
--	Knob - Throttle Control	20339
2	Tapping Screw	26X159
3	Gas Cap	23711
3A	Gas Cap w/gauge	24064
4	Gas Tank	23300
5	Hose Clamp	23713
6	Fuel Line	23715
7	Filter	24159
8	Tapping Screw	26X214
9	Hex Nut 5/16"-24	15X90
10	Woodruff Key No. 6	20062
11	Engine †	----
12	Strap	90023Z
13	Flange Locknut 5/16"-18	15X88
14	Rubber Load Mount	24589
15	Frame Channel	90000
17	Rubber Rebound Mount	24590
18	Spacer Tube	24591
19	Washer	10851Z
20	Hex Bolt-Engine Mount 5/16"-24X2 1/2"	1X107
21	Hex Bolt 5/16"-18X5/8"	1X45
22	Stack Pulley Assembly	90329Z
23	Shakeproof Washer	19X39
24	Hex Bolt 3/8"-24X1"	1X20
25	Belt Guide Assembly	90276Z
26	Muffler w/Heat Shield	90331PA
27	Hex Bolt	1X117
28	Exhaust Deflector	23740Z
29	Screw	26X203
30	Oil Drain Cap	21651
31	Oil Drain Extension	24066

†NOTE: Your Engine Model, Type & Code Number is stamped on the Blower Housing. All parts pertaining to the engine are available from the Briggs and Stratton Parts and Service Station listed in the yellow pages of the classified Telephone Directory.

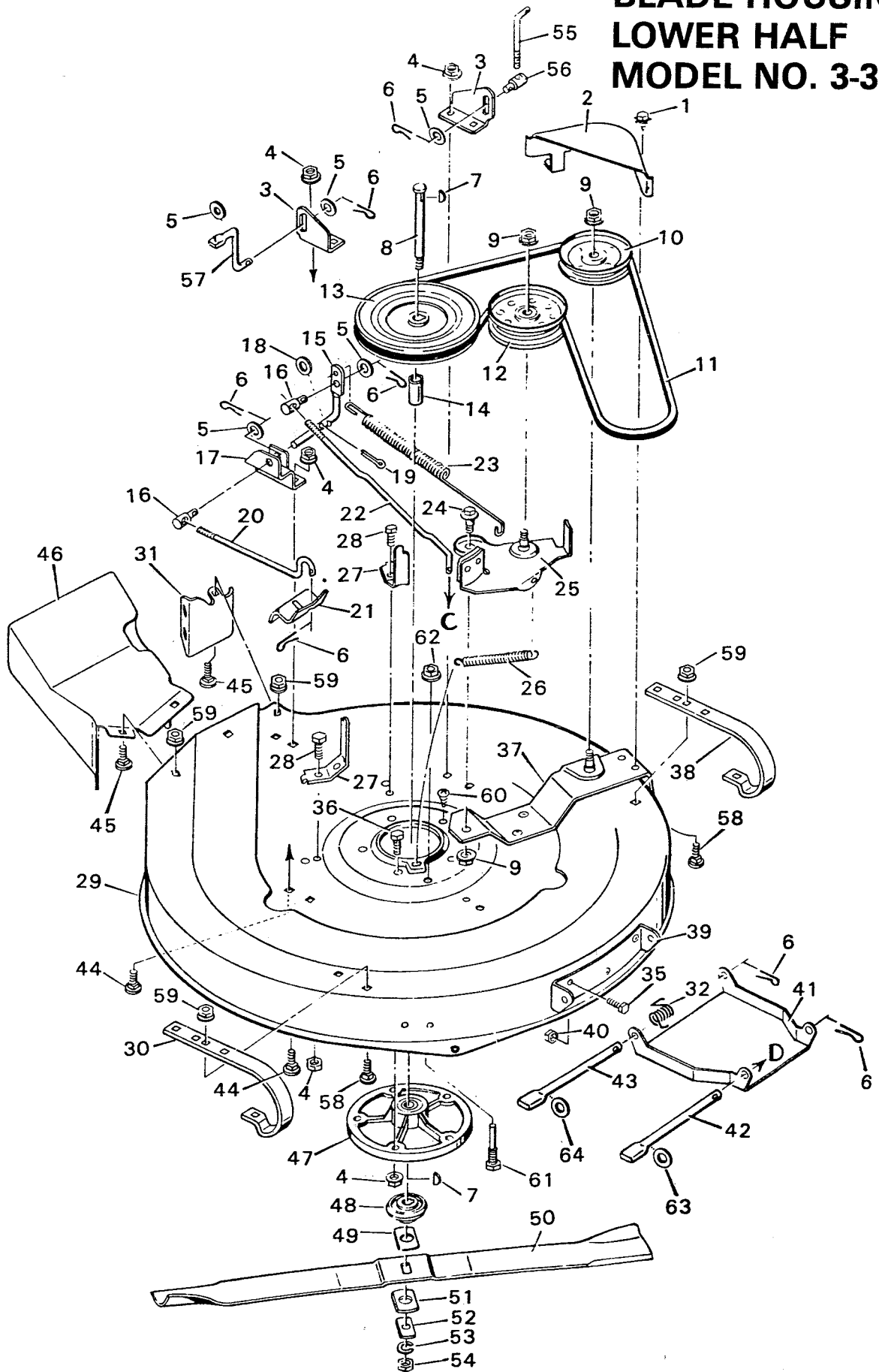
BLADE HOUSING TOP HALF FOR MODEL NO. 3-31704



D-5301

KEY NO.	DESCRIPTION	PART NO.	KEY NO.	DESCRIPTION	PART NO.
1	Grip	20476	10	Grip	23340
2	Control Lever Assembly	90030Z	11	Lifter Assembly	90288
3	Hair Pin	75336	12	Hanger Bracket	90042
4	Carriage Bolt	2X53	13	Hex Flange Nut	15X79
5	Screw	26X49	14	Lifter Rod	90293Z
6	Adjusting Screw Assembly	90078Z	15	Support Channel	90028
7	Washer	17X53Z	16	Adjusting Rod	90100Z
8	Cotter Pin	30X20	17	Adjusting Nut	21920
9	Height Adjuster Brkt. Assembly	404063	18	Spring	165X32

BLADE HOUSING LOWER HALF MODEL NO. 3-31704



D 5337 1

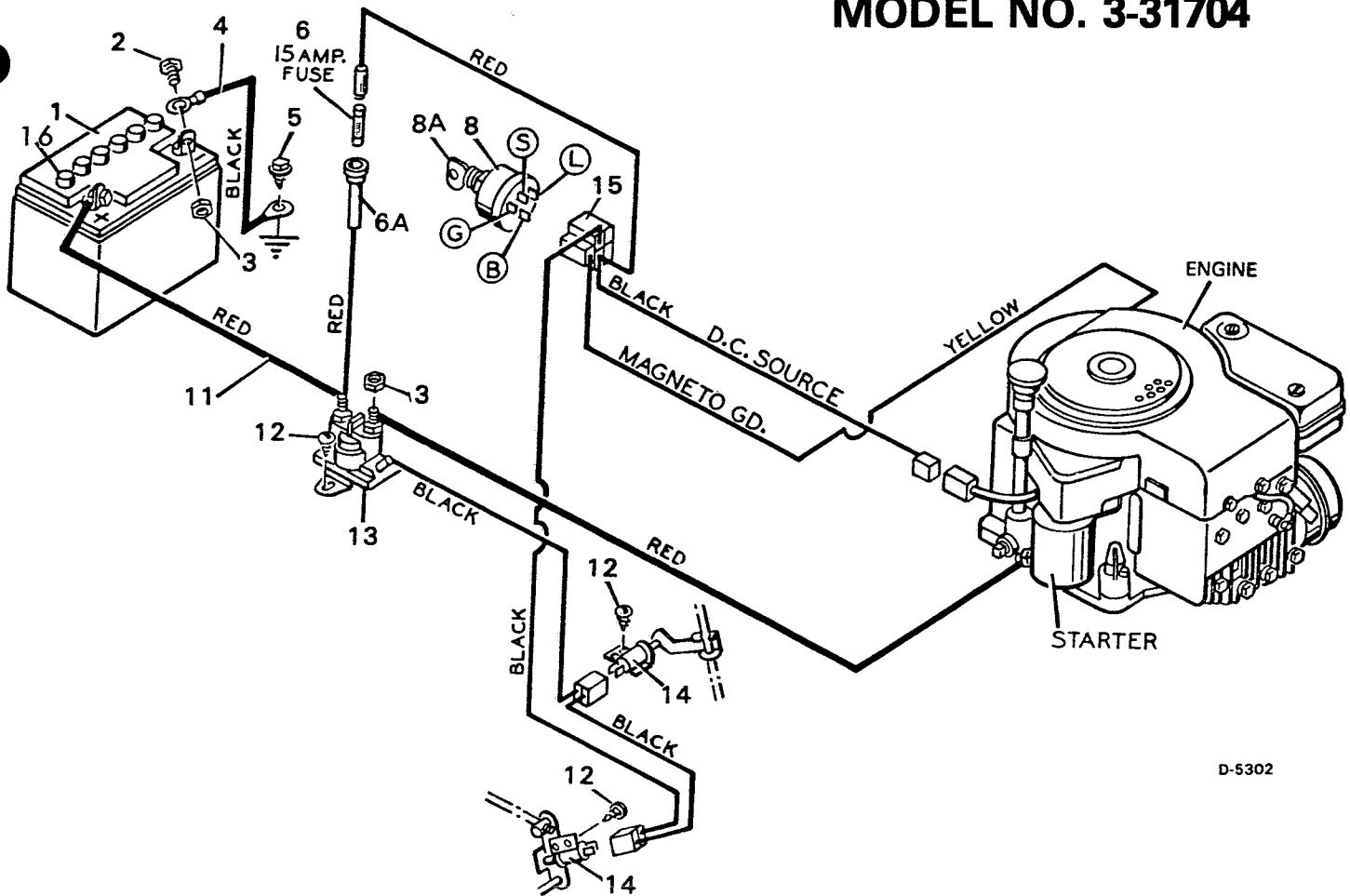
F-6576

BLADE HOUSING LOWER HALF FOR MODEL NO. 3-31704

KEY NO.	DESCRIPTION	PART NO.	KEY NO.	DESCRIPTION	PART NO.
1	Tapping Screw	26X214	32	Spring	166X19
2	Pulley Cover	90260	35	Hex Bolt *	1X38
3	Lifter Bracket *	90103	36	Hex Bolt	1X84
4	Flange Locknut 5/16"-18	15X79	37	Idler Mount Assembly *	90257
5	Washer	17X53Z	38	Skid, LH *	90353
6	Hairpin	75336	39	Front Hanger Bracket *	90233
7	Woodruff Key No. 6	20062	40	Locknut *	15X67
8	Jackshaft	24578	41	Hanger	90232
9	Flange Locknut 3/8"-16	15X84	42	Hanger Rod	90133Z
10	Pulley	90315	43	Hanger Rod	90107Z
11	Blade Drive Belt	37X34	44	Carriage Bolt *	2X53
12	Idler Pulley	90118	45	Carriage Bolt *	2X39
13	Pulley	90242	46	Chute Deflector *	90351
14	Jackshaft Spacer	24533Z	47	Jackshaft Housing Assembly	24384
15	Pivot Lever	90339Z	48	Blade Adapter	20617
16	Adjusting Nut	21920	49	Washer	24614Z
17	Rear Support Bracket *	90340	50	Blade - 30-inch	24525
18	Washer	17X102Z	51	Washer	21673Z
19	Cotter Pin	30X20	52	Blade Washer	20663Z
20	Deck Link	90261Z	53	Lockwasher	18X27
21	Link Retainer	90262Z	54	Blade Mount Nut	15X72
22	Control Rod	90253Z	55	Adjusting Rod	90100Z
23	Spring	165X36	56	Adjusting Nut	21920
24	Shoulder Bolt	9X15	57	Hanger Rod	90293Z
25	Brake & Idler Assembly	90342	58	Carriage Bolt	2X67
26	Extension Spring	165X37	59	Hex Nut *	15X82
27	Belt Guide	24518Z	60	Screw	6X67
28	Hex Bolt 5/16"-18X5/8"	1X45	61	Guide Screw	20619
29	Blade Housing Assembly	90496	62	Flange Locknut	15X79
30	Skid R.H.	90453	63	Washer	17X122Z
31	Baffle *	90380	64	Washer	17X57Z
			--	Complete Blade Housing	403185 403185

These parts are included when ordering Key No. 29.

WIRING DIAGRAM FOR MODEL NO. 3-31704



D-5302

PARTS LIST

KEY NO.	DESCRIPTION	PART NO.
1	Battery - 30 AMP HOUR	23095
--	Electrolyte (Battery Acid)	24903
--	Battery Caps	400261
2	Hex Bolt 1/4"-20X5/8"	1X38
3	Keps Nut 1/4"-20	15X66
4	Battery Cable - Black	24X9
5	Screw	26X49
6	Slow-Blowing Fuse	23752
6A	Fuse Holder	407058
8	Key Switch W/AC Terminal	21064PA
8A	Key & Ring-Only	20729
11	Battery Cable	24X17
12	Screw	26X185
13	Solenoid	24285
14	Safety Switch	24273
15	Wiring Harness	90266