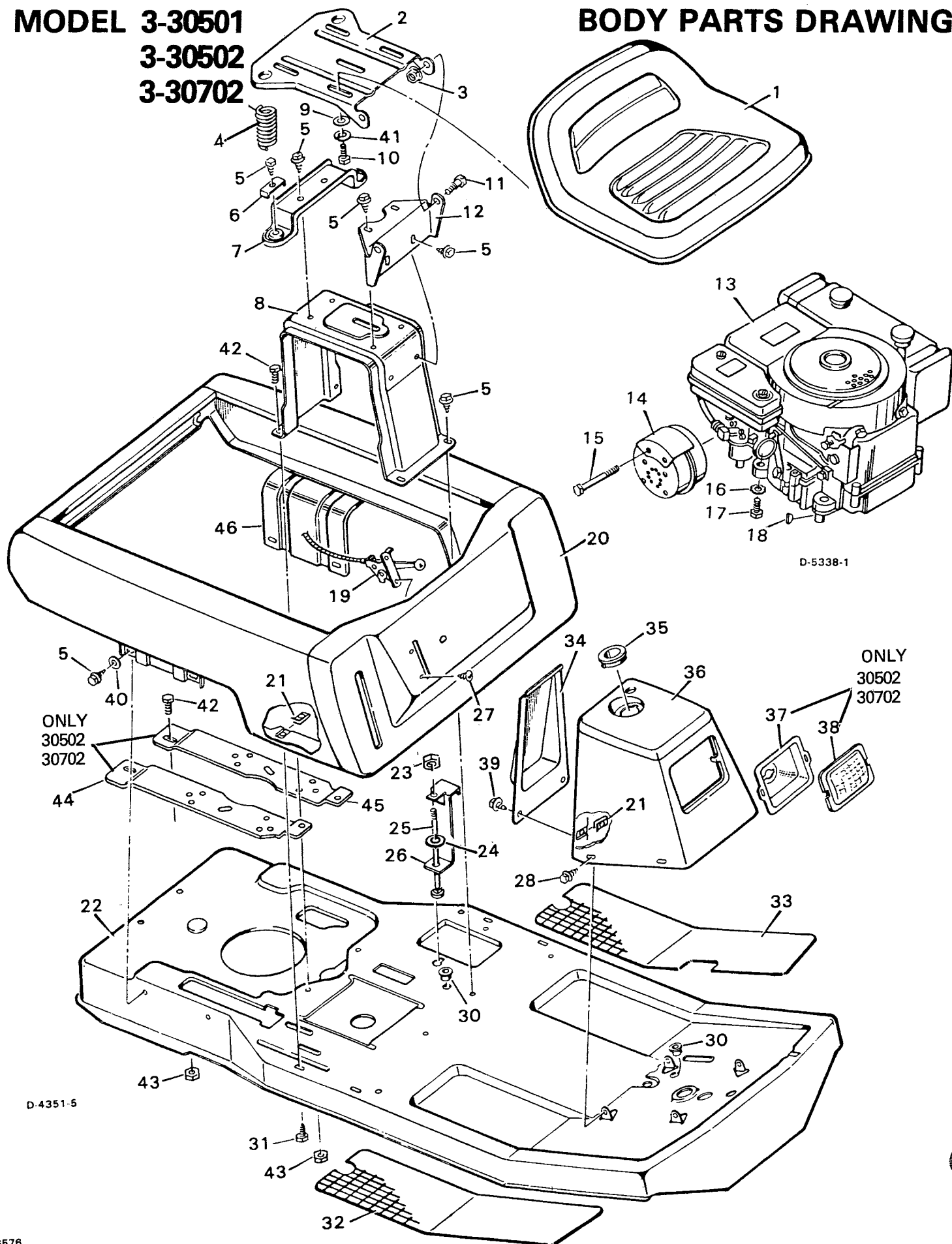


**MODEL 3-30501**  
**3-30502**  
**3-30702**

# BODY PARTS DRAWING



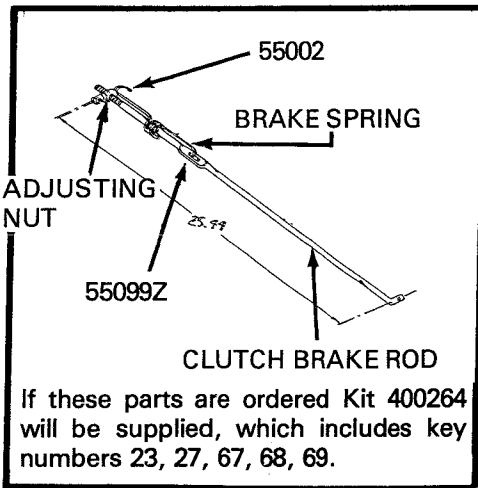
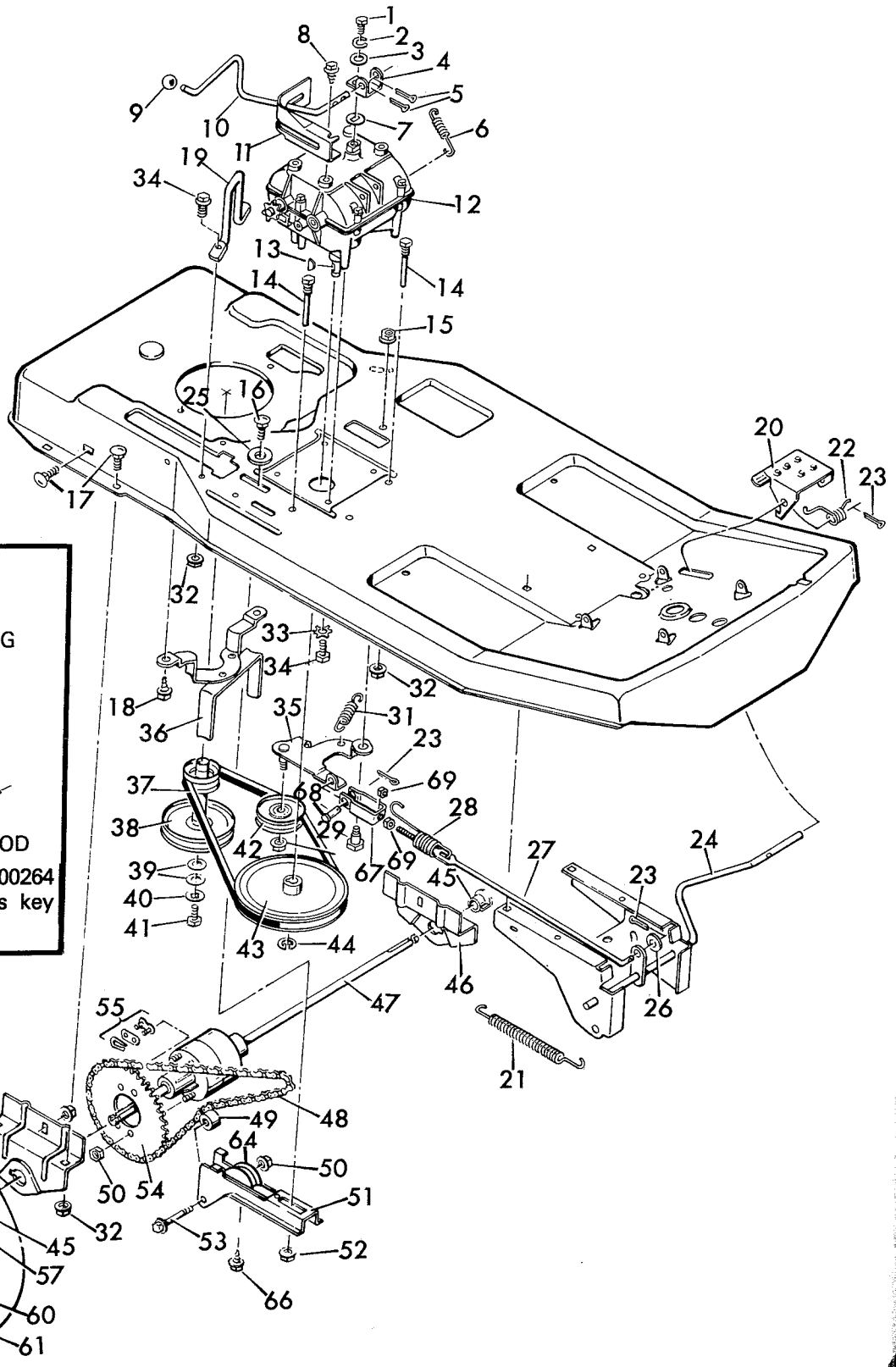
**MODEL 3-30501**  
**3-30502**  
**3-30702**
**BODY PARTS LIST**

KEY NO.	DESCRIPTION	3-30502	3-30501	3-30702
1	Seat	90368	90367	90368
2	Seat Mount	55098	55098	55098
3	Flange Locknut 3/8"-16	15X84	15X84	15X84
4	Seat Spring	164X13	164X13	164X13
5	Screw	26X49	26X49	26X49
6	Spring Retainer	90014	90014	90014
7	Spring Hanger	55062	55062	55062
8	Seat Support	55060	55060	55060
9	Washer	17X47Z	17X47Z	17X47Z
10	Hex Bolt 5/16"-18X1/2"	1X92	1X92	1X92
11	Shoulder Bolt 3/8"-16X7/8"	9X15Z	9X15Z	9X15Z
12	Seat Hinge	55061	55061	55061
13	Engine	†	†	†
14	Muffler	90331PA	90331PA	90331PA
15	Hex Bolt 1/4"-20X3/4"	1X117	1X117	1X117
16	Shakeproof Washer	19X8	19X8	19X8
17	Bolt-Engine Mount	20103	20103	20103
18	Woodruff Key No. 6	20062	20062	20062
19	Control & Cable	90095	90095	90095
20	Rear Body Assembly	55005	55008	55005
21	Tinnerman Nut 1/4"-20	28X18	28X18	28X18
22	Frame Channel	55197	55192	55197
23	Hex Nut	15X66	---	15X66
24	Washer	17X32Z	---	17X32Z
25	Carriage Bolt	2X67	---	2X67
26	Battery Clamp	55210Z	---	55210Z
27	Tapping Screw	26X159	26X159	26X159
28	Tapping Screw	26X214	26X214	26X214
30	Bushing	55176	55176	55176
31	Hex Bolt 1/4"-20X5/8"	6X74	6X74	6X74
32	Mat-Running Board (R.H.)	55102	55102	55102
33	Mat-Running Board (L.H.)	55103	55103	55103
34	Console Plate	55023	55023	55023
35	Bearing - Steering Post	55004	55004	55004
36	Console Assembly	55019	55018	55019
37	Reflector	90009C	---	90009C
38	Lens	90082	---	90082
39	Machine Screw 1/4"-20X 1/2"	4X24	4X24	4X24
40	Washer	19X6	19X6	19X6
41	Lockwasher	18X16	18X16	18X16
42	Hex Bolt 5/16-18X5/8	1X45	1X45	1X45
43	Flange Locknut	15X88	15X88	15X88
44	Right Engine Strap	55205	---	55205
45	Left Engine Strap	55206	---	55206
46	Rear Body Support	55017Z	55017Z	55017Z
--	Parts List	F-6621	F-6621	F-6623
--	Instruction Book	F-6268	F-6268	F-6130
--	Parts Bag	55146	55147	55146

†NOTE: Your Engine Model, Type & Code Number is stamped on the Blower Housing. All parts pertaining to the engine are available from the Briggs and Stratton Parts and Service Station listed in the yellow pages of the classified Telephone Directory.

**MODEL**  
**3-25501**  
**3-25502**  
**3-25702**  
**3-30501**  
**3-30502**  
**3-30507**  
**3-30702**

**MOTION DRIVE PARTS  
 DRAWING**



D-4347-3

**MODEL**

**3-25501 3-30502**  
**3-25502 2-30507**  
**3-25702 3-30702**  
**3-30501**

**MOTION DRIVE PARTS LIST**

KEY NO.	DESCRIPTION	3-30702		KEY NO.	DESCRIPTION	3-30501		3-30507
		3-30507	3-25501			3-25702	3-25502	3-25501
1	Hex Bolt 1/4"-20X5/8"	1X82	1X82	34	Hex Bolt 5/16"-18X5/8"	1X45	1X45	1X45
2	Spring Lockwasher	18X30	18X30	35	Idler Arm Assembly	55067Z	55067Z	55067Z
3	Washer	17X32Z	17X32Z	36	Belt Guide Assembly	55053Z	55053Z	55053Z
4	Transmission Yoke	24834Z	24834Z	37	Traction Drive Belt	37X38	37X38	37X38
5	Cotter Pin	30X20	30X20	38	Stack Pulley Assembly	55112Z	55112Z	55112Z
6	Extension Spring-Brake Return	165X28	165X28	39	Washer	10851Z	10851Z	10851Z
7	Washer	17X134	17X134	40	Shakeproof Washer	19X39	19X39	19X39
8	Tapping Screw	26X207	26X207	41	Hex Bolt 3/8"-24X1"	1X20	1X20	1X20
9	Knob, Shift Lever	24844	24844	42	Idler Pulley	20613	20613	20613
10	Shift Lever	55121Z	55120Z	43	Pulley Transmission	55101	55101	55101
11	Transmission Gate	24999Z	24999Z	44	Retainer Ring	11X7	11X7	11X7
12	Transmission-Peerless †	708B	756B	45	Axle Bearing	90225	90225	90225
13	Woodruff Key # 9	20697	20697	46	Bracket, Rear Axle	55064	55063	55065
14	Guide Screw	20619	20619	47	Differential-Peerless 100-015 †	100-015	100-015	100-015
15	Flange Locknut 3/8"-16	15X84	15X84	48	Roller Chain	55114	55114	55115
16	Carriage Bolt 3/8"-16X3/4"	2X56	2X56	49	Roller* *	90176	90176	90176
17	Carriage Bolt 5/16"-18X5/8"	2X53	2X53	50	Flange Locknut 5/16"-18* *	15X88	15X88	15X88
18	Tapping Screw	26X49	26X49	51	Chain Adjusting Bracket	55194	55194	55194
19	Chain Gate	23553Z	23553Z	52	Flange Hex Nut 3/8"-16	15X68	15X68	15X68
20	Pedal-Brake/Clutch	55027	55027	53	Shoulder Bolt 5/16"-18X1.72"* *	9X22	9X22	9X22
21	Extension Spring - Pedal	165X2	165X2	54	Sprocket	55028	55066	90188
22	Torsional Spring-Pedal	166X18	166X18	55	Connecting Link	20730	20730	20730
23	Cotter Pin	30X49	30X49	56	Square Key 3/16"	21553	21553	21553
24	Lever Assembly-Brake/Clutch	55050	55050	57	Washer	21521	21521	21521
25	Washer	17X67Z	17X67Z	58	E-Ring	11X3	11X3	11X3
26	Washer	17X47Z	17X47Z	59	Wheel & Tire Assembly	24996	24995	24392
27	Rod, Brake/Clutch	55220Z	55220Z	60	Valve Stem & Cap*	24373	24373	24373
28	Extension Spring-Brake Unit	165X42	165X42	61	Tire Only*	24380	24379	24393
29	Shoulder Bolt 3/8"-16X7/8"	9X15	9X15	62	Wheel Only*	24994E	24994E	24391E
31	Extension Spring-Clutch Unit	165X39	165X39	64	Guide Block*	23403	23403	23403
32	Flange Hex Nut 5/16"-18	15X79	15X79	66	Tapping Screw* *	26X214	26X214	26X214
33	Shakeproof Washer	19X6	19X6	67	Clevis	21915Z	21915Z	21915Z
				68	Clevis Pin	29X99	29X99	29X99
				69	Hex Nut 5/16-18	15X2	15X2	15X2
					Tube	407047	407046	407048

† NOTE: All parts pertaining to this Transmission or Differential are available from Tecumseh Parts and Service Centers listed in the yellow pages of the telephone directory under "Engines, Gasoline" or "Gasoline Engines".

Complete illustration of transmission shown on page 113 & 115.

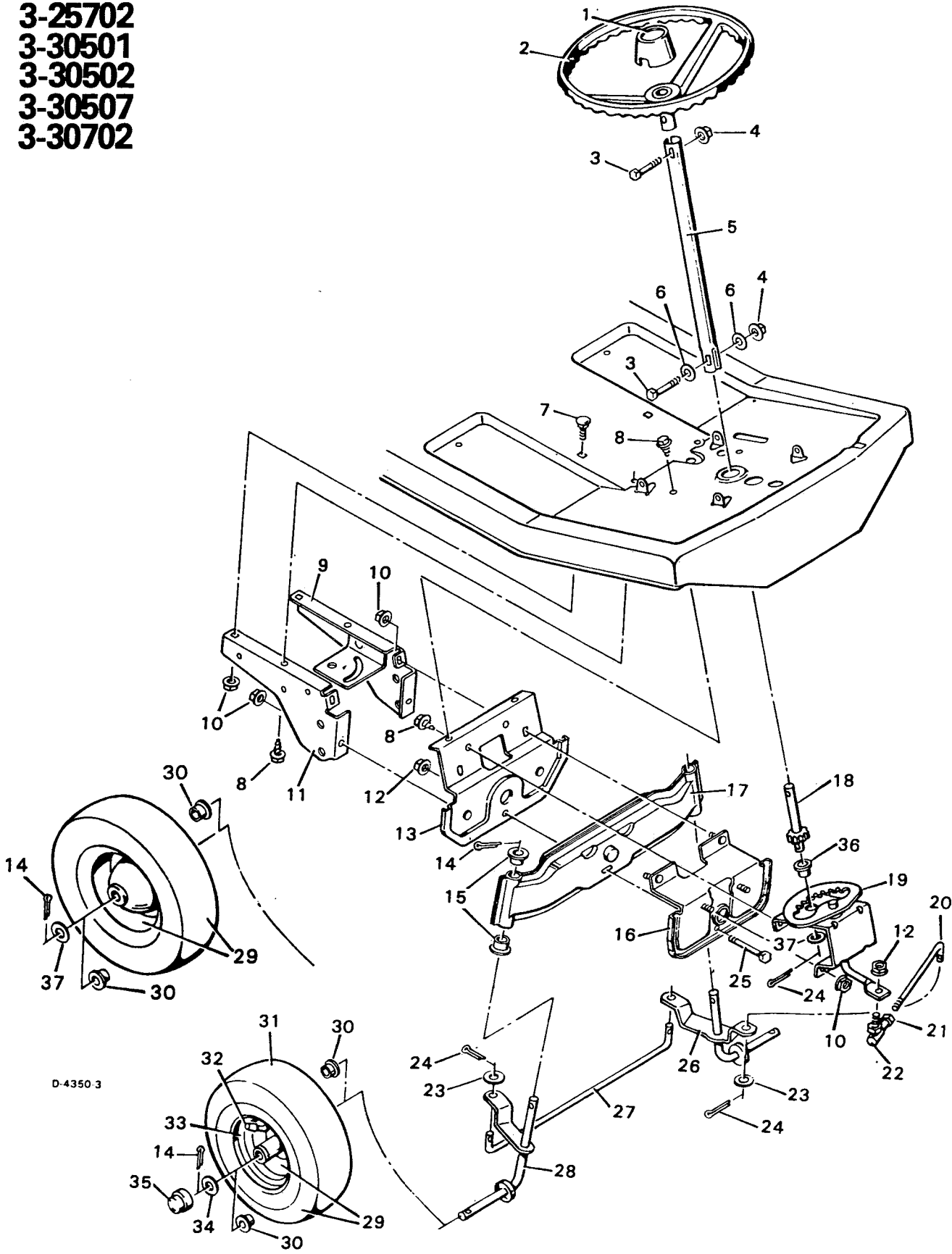
Complete illustration of differential shown on page 111.

\* NOTE: These key numbers are included with key no. 59. When ordering replacement parts specify the brand name of the tire to insure that tread patterns on tire match.

\*\* NOTE: These key numbers are included with key no. 51

# STEERING PARTS DRAWING

**MODEL**  
**3-25501**  
**3-25502**  
**3-25702**  
**3-30501**  
**3-30502**  
**3-30507**  
**3-30702**



D-4350.3

**MODEL**  
**3-25501**  
**3-25502**  
**3-25702**  
**3-30501**  
**3-30502**  
**3-30507**  
**3-30702**

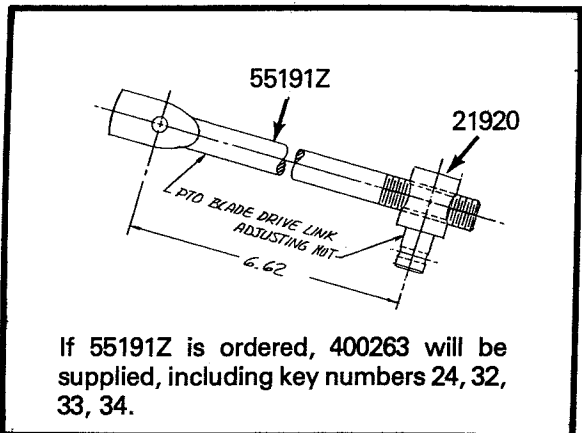
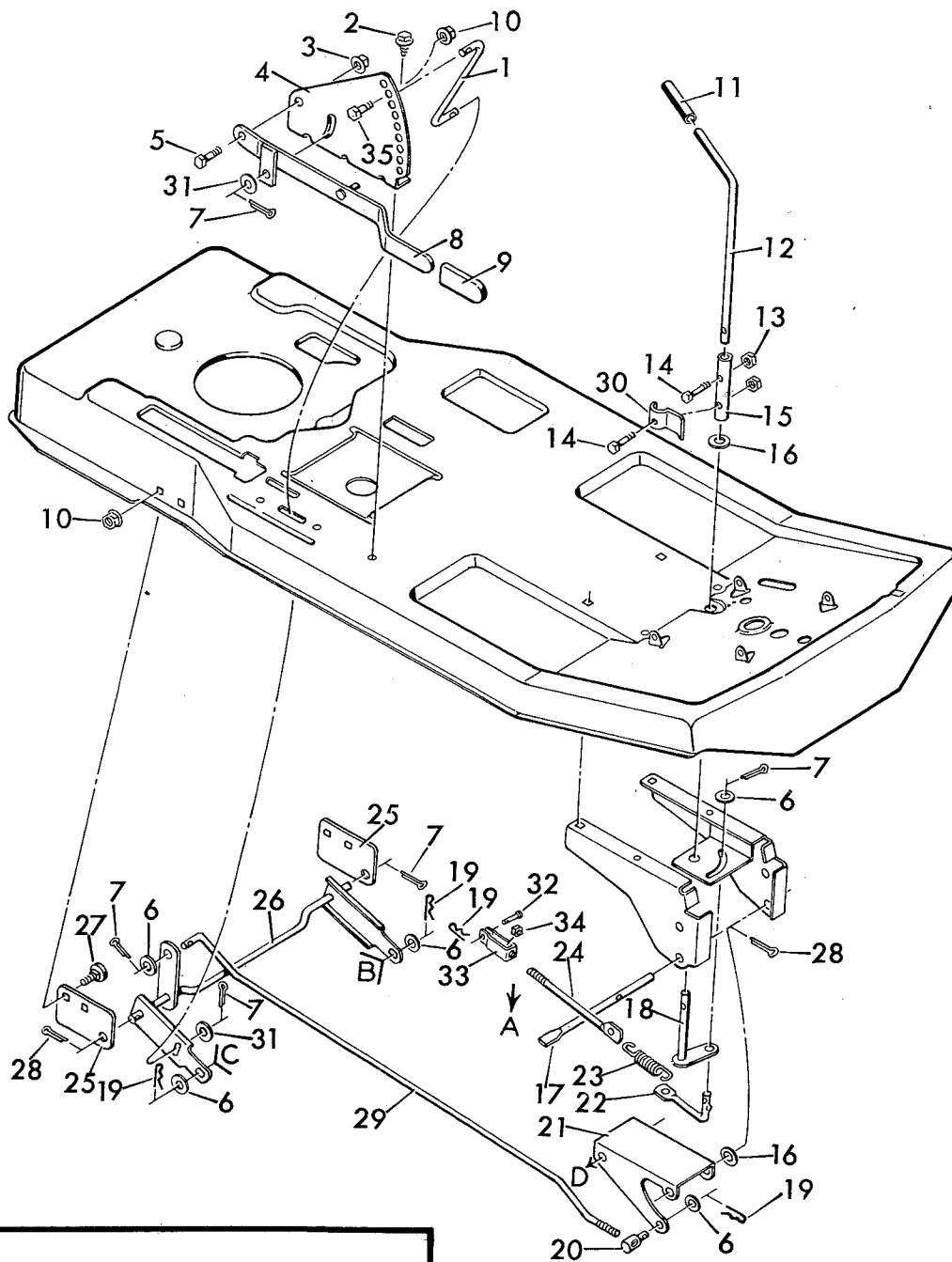
**STEERING PARTS LIST**

KEY NO.	DESCRIPTION	3-30702 3-30507 3-30502 3-30501 3-25702 3-25502	3-25501
1	Cap-Steering Wheel	23573	23573
2	Steering Wheel	90126	90126
3	Hex Bolt 5/16''-18X1 1/2''	1X102	1X102
4	Flange Locknut 5/16''-13	15X88	15X88
5	Steering Post	90130C	90130C
6	Washer	17X47Z	17X47Z
7	Carriage Bolt 5/16''-18X5/8''	2X53	2X53
8	Tapping Screw	26X49	26X49
9	Left Suspension Plate	55200	55200
10	Flange Hex Nut	15X79	15X79
11	Right Suspension Plate	55201	55201
12	Flange Locknut 3/8''-24	15X87	15X87
13	Front Axle Support Assembly	55056	55056
14	Cotter Pin	30X49	30X49
15	Spindle Bearing	55003	55003
16	Front Axle Hanger Assembly	55058	55058
17	Front Axle Assembly	55024	55024
18	Pinion Gear	55001	55001
19	Sector Assembly	55041	55041
20	Drag Link	55046	55046
21	Hex Nut 3/8''-24	15X61	15X61
22	Steering Ball Joint	21031	21031
23	Washer	17X53	17X53
24	Cotter Pin	30X20	30X20
25	Hex Bolt 3/8''-24X2 3/8''	1X69	1X69
26	Left Spindle Assembly	55039	55039
27	Tie Rod	55026	55026
28	Right Spindle Assembly	55038	55038
29	Wheel & Tire Assembly	24395	24624
30	Bearing*	24368	24615
31	Tire Only*	24394	---
32	Valve Stem & Cap*	24373	---
33	Wheel Only*	24364E	---
34	Washer	24583	---
35	Hub Cap	24582	---
36	Bearing	55168	55168
37	Washer	17X100Z	17X100Z
	Tube	407045	---

\* NOTE: These key numbers are included with key no. 29. When ordering replacement parts specify the brand name of the tire to insure that tread patterns on tire match.

**MODEL**  
**3-25501**  
**3-25502**  
**3-25702**  
**3-30501**  
**3-30502**  
**3-30507**  
**3-30702**

**BLADE HOUSING — TOP  
 HALF PARTS DRAWING**



If 55191Z is ordered, 400263 will be supplied, including key numbers 24, 32, 33, 34.

D 4349 1

**MODEL**  
**3-25501**  
**3-25502**  
**3-25702**  
**3-30501**  
**3-30502**  
**3-30702**

**BLADE HOUSING — TOP  
 HALF PARTS LIST**

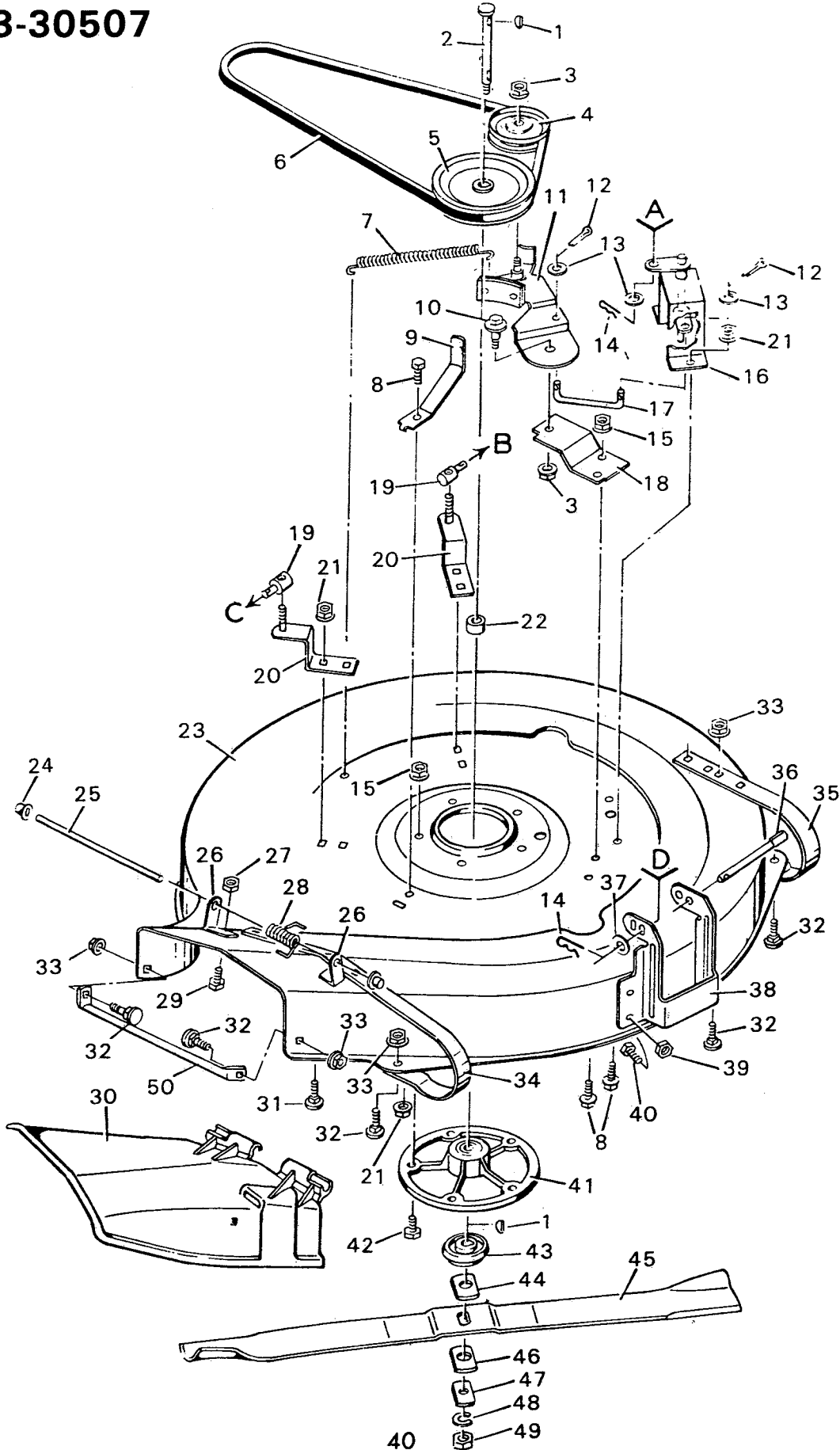
KEY NO.	DESCRIPTION	PART NO.
1	Lifter Rod	55133
2	Tapping Screw	26X49
3	Flange Locknut 3/8"-16	15X84
4	Index Plate	55143
5	Shoulder Bolt 3/8"-16	9X9Z
6	Washer	17X53Z
7	Cotter Pin	30X20
8	Lifter Lever Assembly	55129
9	Grip - Lifter Lever	21249
10	Flange Hex Nut 5/16"-18	15X79
11	Grip-Blade Lever	20476
12	Blade Lever	55089Z
13	Flange Locknut 1/4"-20	15X89
14	Hex Bolt 1/4"-20X1"	1X76
15	Tube, Blade Lever	55088
16	Washer	17X67Z
17	Suspension Pin	55141Z
18	Rod & Arm Assembly	55085
19	Hair Pin	20692
20	Adjusting Nut	21920
21	Bracket, Front Suspension	55139
22	Front Link	55179
23	Extension Spring-Blade Clutch	165X7
24	Blade Drive Link	55219Z
25	Lifter Mounting Plate	55134
26	Suspension Rod Assembly	55125
27	Carriage Bolt 5/16"-18X5/8"	2X53
28	Cotter Pin	30X49
29	Linkage Rod	55140Z
30	Switch Bracket	55191
31	Washer	17X57Z
32	Clevis Pin	29X99
33	Clevis	21915Z
34	Hex Nut	15X2
* 35	Shoulder Bolt	9X8

\* Used On 3-25702 & 3-30702 Only.



**MODEL 3-30501  
3-30502  
3-30507**

# **BLADE HOUSING — BOTTOM HALF PARTS DRAWING**



D 4348

F-6576

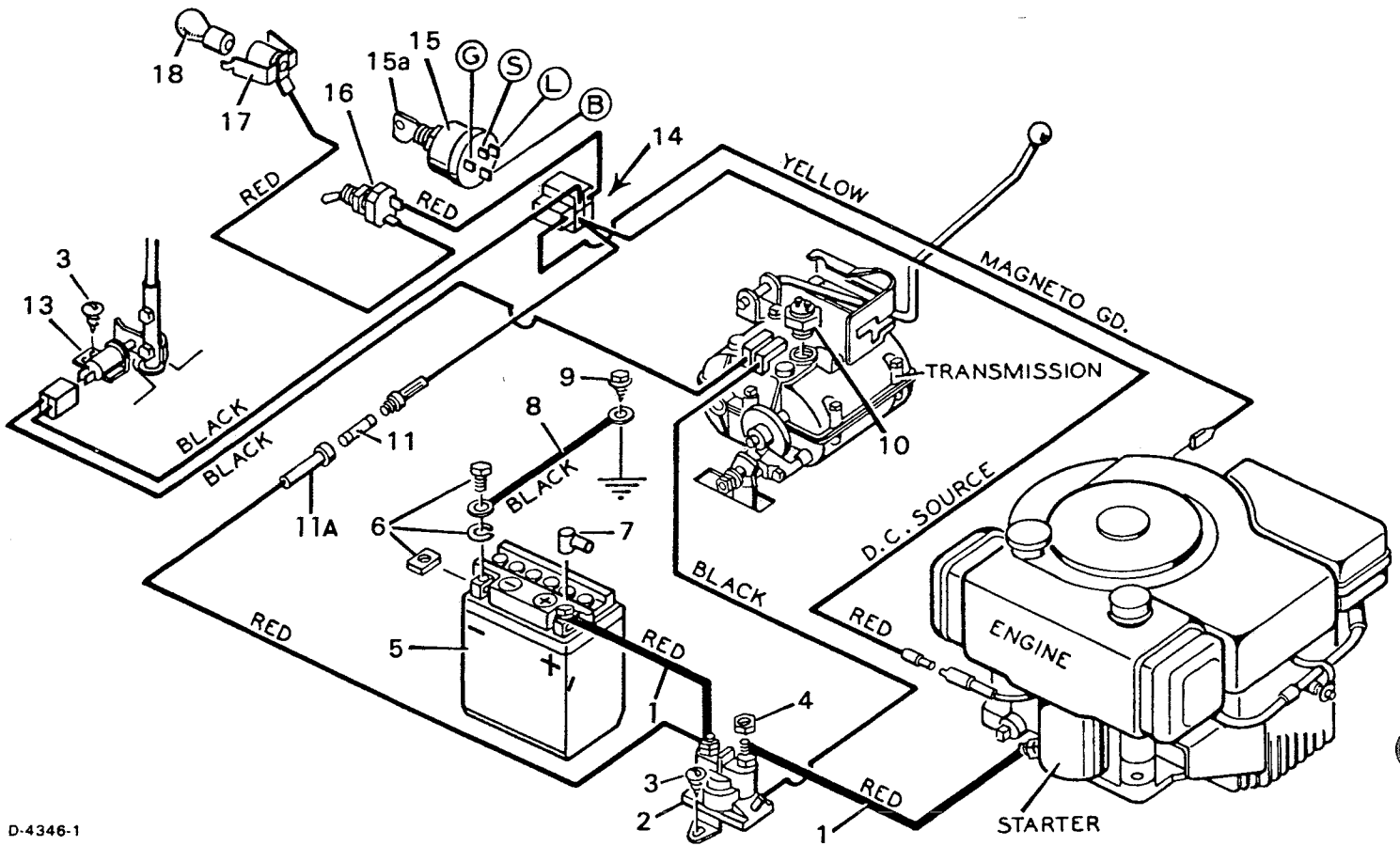
**MODEL 3-30501  
3-30502  
3-30507**

**BLADE HOUSING — BOTTOM  
HALF PARTS LIST**

KEY NO.	DESCRIPTION	PART NO.	KEY NO.	DESCRIPTION	PART NO.
1	Woodruff Key #6	20062	26	Front & Rear Deflector Brkt.	21185
2	Jackshaft	24578	27	Hex Nut #10-24	15X51
3	Flange Locknut 3/8"-16	15X84	28	Torsional Spring	166X4
4	Idler Pulley	20613	29	Machine Screw #10-24X5/8"	4X21
5	Pulley	55100	30	Chute Deflector	24540
6	Belt, Blade Drive	37X37	31	Carriage Bolt 5/16"-18X5/8"	2X53
7	Extension Spring-Blade Brake	165X43	32	Carriage Bolt 1/4"-20X9/16"	2X39
8	Hex Bolt 5/16"-18X5/8"	1X45	33	Flange Locknut 1/4"-20	15X82
9	Belt Guide	55097Z	34	Skid, R.H.	90352
10	Shoulder Bolt 3/8"-16X7/8"	9X15Z	35	Skid, L.H.	90353
11	Blade Idler Assembly	55226	36	Pull Pin	55142Z
12	Cotter Pin	30X20	37	Washer	17X67Z
13	Washer	17X53	38	Front Bracket	55144
14	Hair Pin	20692	39	Keps Nut 1/4"-20	15X66
15	Flange Locknut 5/16"-18	15X88	40	Machine Screw 1/4"-20X1/2"	4X25
16	Pivot Rod & Bracket Assembly	55070	41	Jackshaft Housing Assembly	24384
17	Idler Link	55094Z	42	Hex Bolt 5/16"-18X1"	1X84
18	Idler Support Bracket	24517	43	Blade Adapter	20617
19	Adjusting Nut	21920	44	Washer	24614Z
20	Rear Bracket & Bolt Assembly	55136	45	Blade - 30"	24524
21	Flange Hex Nut 5/16"-18	15X79	-	Blade Hi-Lift for Bagging	24868E
22	Jackshaft Spacer	24533Z	46	Washer	21673Z
23	Complete Blade Housing Assembly	403140	47	Blade Washer	20663Z
24	Push On Cap	28X23	48	Spring Lockwasher	18X27
25	Deflector Rod	21197Z	49	Hex Nut - Blade Mount	15X72
			50	Horn Guard	20581

*Shell Only  
# 55108*

## WIRING DIAGRAM PARTS LIST FOR MODELS 3-30702 — 3-30502



D-4346-1

KEY NO.	DESCRIPTION	PART NO.	KEY NO.	DESCRIPTION	PART NO.
1	Battery Cable	24X12	10	Transmission Limit Switch	23479
2	Solenoid	24285	11	Fuse - 15 Amp	23752
3	Screw	26X185	11A	Fuse Holder	407058
4	Keps Nut 1/4"-20	15X66	13	Limit Switch	24273
5	Battery	23581	14	Wiring Harness	55185
*	Battery Cap	400261	*	Wire Clamp	21980
*	Electrolyte - (Battery Acid)	23590	15	Key & Switch Assy.	21064PA
6	Battery Hardware	402012	15a	Key Only	<del>20776PA</del>
7	Battery Boot	24196	16	Light Switch	20899PA
8	Battery Cable - Ground	24X9	17	Light Socket	90155
9	Screw	26X49	18	Light Bulb	90084

\*Not Illustrated