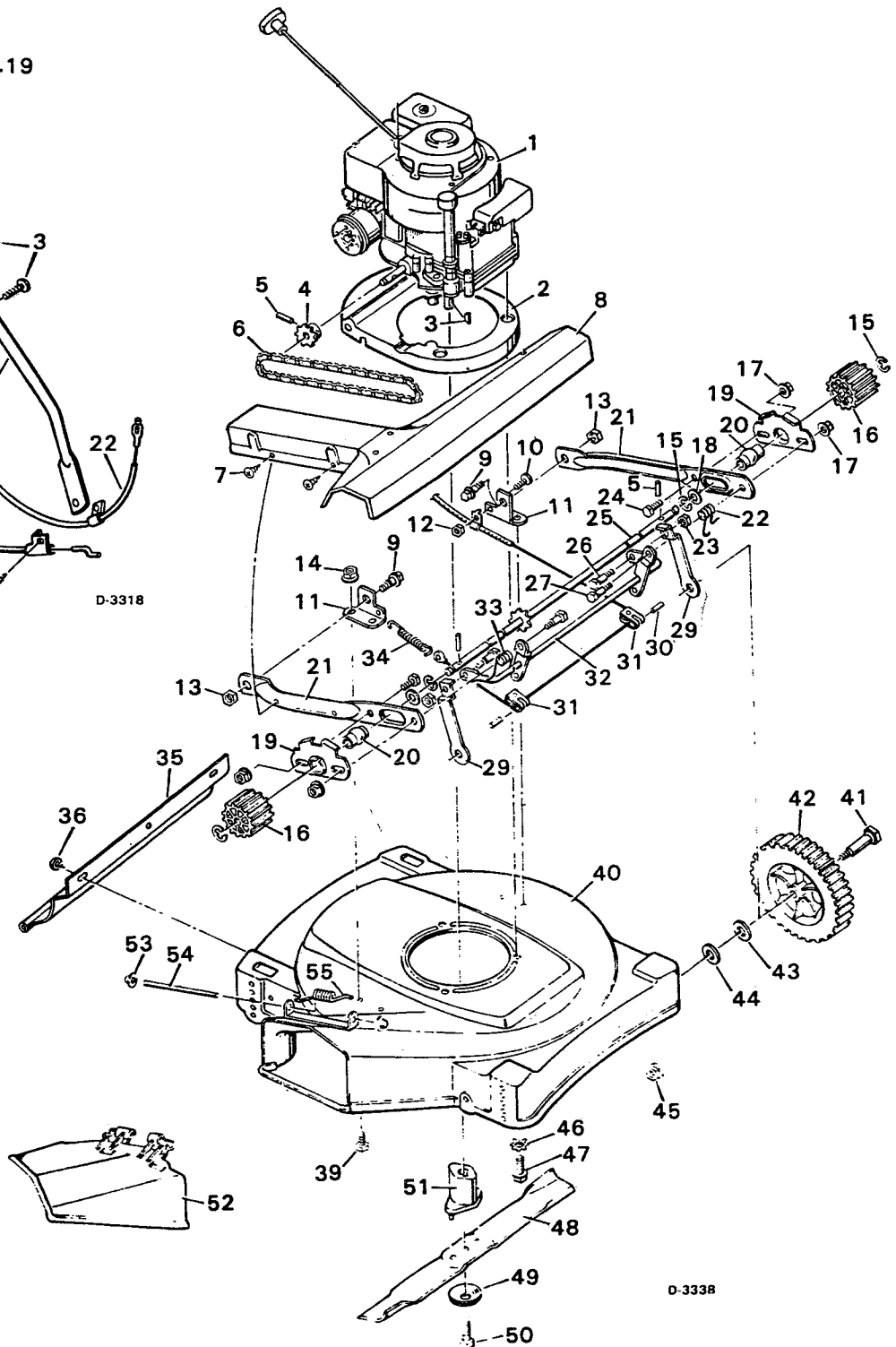
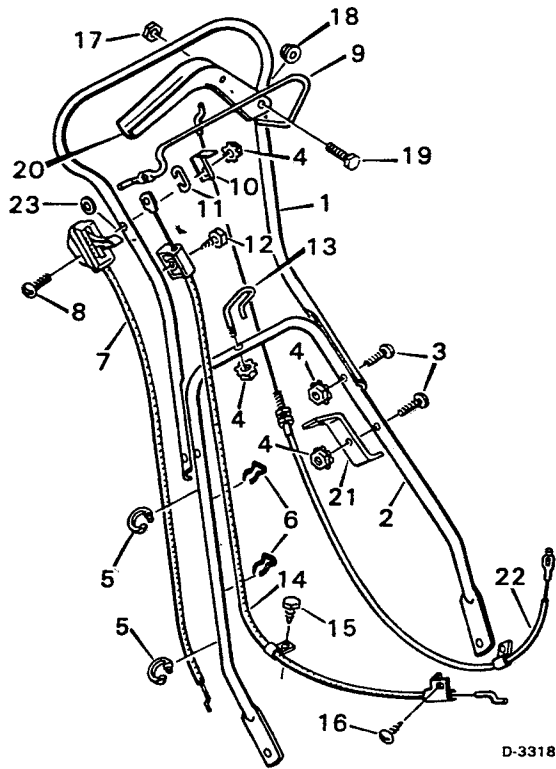


# MODEL 3-22711 22"

# MOWER HOUSING ILLUSTRATION



## MOWER HOUSING PARTS LIST MODEL NO. 3-22711 22"

KEY NO.	DESCRIPTION	PART NO.	KEY NO.	DESCRIPTION	PARTS NO.
1	Engine	---	29	Wheel Connecting Lever, On	
2	Engine Base	42251E		Model W/Axle Bolts	22954Z
3	Woodruff Key	20062	30	Spring Pin	32X70
4	Engine Sprocket	42086	31	Bracket & Pulley Assembly	22973
5	Spring Pin	32X64	32	Tie Rod Assembly	22989Z
6	Chain	20108	33	Torsional Spring, R.H.	166X14
7	Screw	26X185	34	Extension Spring	165X8
8	Chain & Pinion Guard Assembly	402014	35	Rear Guard	42587
9	Shoulder Bolt	9X17	36	Screw	26X219
10	Screw	4X20	39	Bolt	1X38
11	Drive Yoke Support Bracket	22983Z	40	Housing for Non-Folding Handle	70054
12	Nut	15X71	41	Axle Bolt, for Front Wheel	9X6
13	Nut	15X84		Axle Bolt, for Rear Wheel	9X10Z
14	Flange Locknut	15X82	42	Wheel & Tire	20105
15	Retainer Ring	11X8	43	Spacer, on Model W/Axle Bolt	22941
16	Drive Pinion	20066	44	Washer, on Model W/Axle Bolt	10851Z
17	Keps Nut	15X76	45	Flange Nut	15X68
18	Washer	17X100Z	46	Shakeproof Washer	19X8
19	Bearing Retainer	22974Z	47	Bolt	20102
20	Bearing	20048	48	Blade	20046
21	Drive Arm	22963Z	49	Blade Washer	17X137
22	Torsional Spring, L.H.	166X15	50	Bolt	1X89
23	Flange Locknut	15X88	* 51	Blade Adapter	20051
24	Bolt	1X45	52	Chute Deflector	20454
25	Drive Shaft and Sprocket, on Model W/Axle Bolts	22983Z	53	Push On Cap	28X42
26	Shoulder Bolt	9X8	54	Pivot Pin	22050Z
27	Shoulder Bolt	9X1	55	Spring	166X5
			--	Parts Bag	42603
			--	Owners Manual	F-6235

## PARTS LIST FOR HANDLES

KEY NO.	DESCRIPTION	PARTS NO.	KEY NO.	DESCRIPTION	PART NO.
1	Upper Handle	42372C	13	U-Bolt	42361Z
2	Lower Handle	42383C	14	Engine Stop Cable	42363
3	Bolt	3X136Z	15	Screw	26X184
4	Keps Nut	15X66	16	Screw	6X75
5	Plastic Cable Clamp	22550	17	Flange Locknut	15X89
6	Cable Retainer, Metal	42188	18	Spacer	42360
7	Throttle Control, Slide	42096	19	Bolt	1X90
8	Bolt	3X105	20	Clutch Lever	42390C
9	Engine Stop Lever	42386C	21	Clutch Cable Bracket	42362Z
10	Handle Stop	42368Z	22	Clutch Cable	42565
11	Hook	75079	23	Washer	17X32Z
12	Screw	26X220			

\* See page 23 for more information.