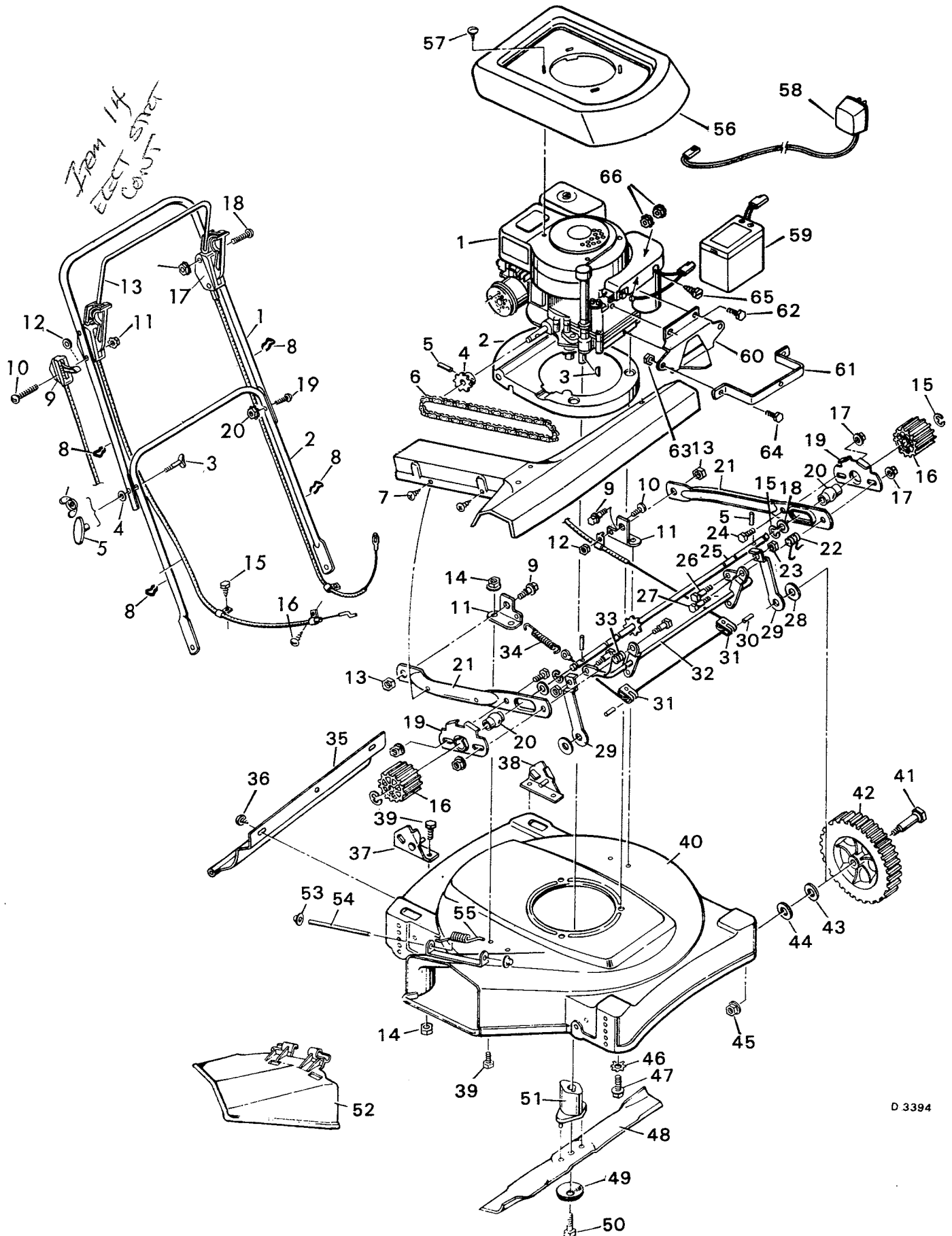


MOWER HOUSING ILLUSTRATION MODEL 3-22483



MOWER HOUSING PARTS LIST MODEL 3-22483

KEY NO	DESCRIPTION	PART NO		KEY NO	DESCRIPTION	PART NO
1	Engine	----		32	Tie Rod Assembly	22989Z
2	Engine Base	42251E		33	Torisional Spring, R.H.	166X14
3	Woodruff Key	20062		34	Extension Spring	165X8
4	Engine Sprocket	42086		35	Rear Guard	42587
5	Spring Pin	32X64		36	Screw	26X219
6	Chain	20108		37	Folding Handle Bracket R.H.	20198Z
7	Screw	26X185		38	Folding Handle Bracket L.H.	20199Z
8	Chain & Pinion Guard Assembly	----		39	Bolt	1X38
9	Shoulder Bolt	9X17		40	Housing for Folding Handle	70055
10	Screw	4X20			Housing for Non-Folding Handle	70054
11	Drive Yoke Support Bracket	22983Z		41	Axle Bolt, for Front Wheel	9X6
12	Nut	15X71			Axle Bolt, for Rear Wheel	9X10Z
13	Nut	15X84			Wheel & Tire*	20105
14	Flange Locknut	15X82		42	Spacer, on Model W/Axle Bolt	22941
15	Retainer Ring	11X8		44	Washer, on Model W/Axle Bolt	10851Z
16	Drive Pinion	20066		45	Flange Nut	15X68
17	Keps Nut	15X76		46	Shakeproof Washer	19X8
18	Washer	17X100Z		47	Bolt	20102
19	Bearing Retainer	22974Z		48	Blade	20046
20	Bearing	20048		49	Blade Washer	17X137
21	Drive Arm	22963Z		50	Bolt	1X68
22	Torisional Spring, L.H.	166X15		51	Blade Adapter	20050
23	Flange Locknut	15X88		52	Chute Deflector	20454
24	Bolt	1X45		53	Push On Cap	28X42
25	Drive Shaft and Sprocket, on Model W/Height Adjusters	22150Z		54	Pivot Pin	22050Z
	Drive Shaft and Sprocket, on Model W/Axle Bolts	22983Z		55	Spring	166X5
26	Shoulder Bolt	9X8		56	Engine Shroud, Optional	42440
27	Shoulder Bolt	9X1		57	Screw	6X160
28	Washer, on Model W/Height Adjusters	17X102Z		58	Battery Charger	42570
29	Wheel Connecting Lever, on Model W/Height Adjusters	22970Z		59	Battery	42327
	Wheel Connecting Lever, on Model W/Axle Bolts	22954Z		60	Battery Bracket	42572
30	Spring Pin	32X70		61	Battery Clamp	42573
31	Bracket & Pulley Assembly	22973		62	Screw	25X2
				63	Nut	15X88
				64	Bolt	1X45
				65	Screw	6X75
				66	Nut	15X66

* To select a wheel & tire, go to the wheel and tire parts list page.

HANDLE PARTS LIST

KEY NO	DESCRIPTION	PART NO		KEY NO	DESCRIPTION	PART NO
1	Upper Handle	42373C		12	Washer	17X32Z
2	Lower Handle	20438C		13	Engine Stop Lever	42591C
3	Bolt for Wingnut	6X73Z		14	Starter Control	42593
	Bolt for plastic Knob	20129Z		15	Screw	26X185
4	Washer	17X46Z		16	Screw	6X75
5	Plastic Knob	20266		17	Drive Control for Non- Folding Handle	42366
6	Wing Nut	14X83Z			Drive Control for Folding Handle	42399
8	Cable Retainer, Metal	42188		18	Bolt	3X147
9	Throttle Control, Slide	42096		19	Bolt, Non-Folding Handle	3X136
	Throttle Control, Lever	42093		20	Nut, Non-Folding Handle	15X66
10	Bolt	3X76				
11	Keps Nut	15X71				