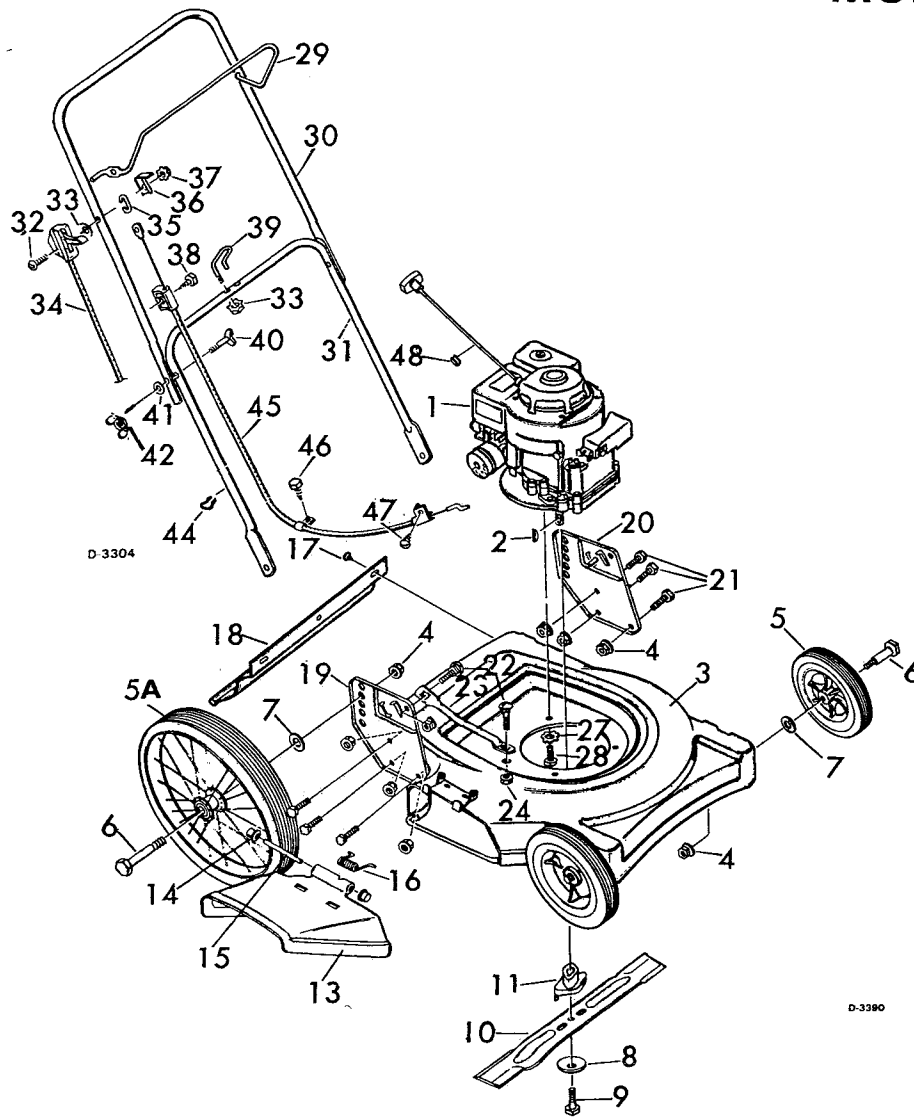


# MOWER HOUSING ILLUSTRATION

# MODEL 3-22141



KEY NO.	DESCRIPTION	PART NO.	KEY NO.	DESCRIPTION	PART NO.	KEY NO.	DESCRIPTION	PART NO.
1	Engine	---	15	Pivot Pin	22326Z	32	Bolt	3X105
2	Woodruff Key	20062	16	Spring	166X5	33	Washer	17X32Z
3	Housing	70058	17	Screw	26X219	34	Throttle Control	42093
4	Hex Nut	15X68Z	18	Rear Guard	42587	35	Hook	75079
5	Wheel and Tire Front	42181	19	Wheel Bracket R.H.	42674	36	Handle Stop	42368Z
5A	Wheel and Tire-Rear	42666	20	Wheel Bracket L.H.	42673	37	Keys Nut	15X66
6	Shoulder Bolt-Front Wheel	9X10Z	21	Hex Bolt	1X85	38	Screw	26X220
--	Shoulder Bolt-Rear Wheel	9X23	22	Carriage Bolt	2X39	39	U-Bolt	42361Z
7	Washer	10851Z	23	Brace R.H.	42670	40	Contour Head Bolt	6X73Z
8	Blade Washer	17X137	--	Brace L.H.	42669	41	Washer	17X46Z
9	Hex Bolt	1X68	24	Flange Locknut	15X82	42	Wing Nut	14X83Z
10	Blade	20046	27	Washer	19X8	44	Cable Retainer-Metal	42188
*11	Blade Adapter	20050	28	Engine Bolt	20103	45	Engine Stop Cable	42363
13	Chute Deflector	22352	29	Engine Stop Lever	42387C	46	Screw	26X184
14	Push On Cap	28X42	30	Upper Handle	42374C	47	Screw	6X75
			31	Lower Handle	42563C	48	Rope Stop	42189

\* NOTE: See page 23 for more information.

F-6576