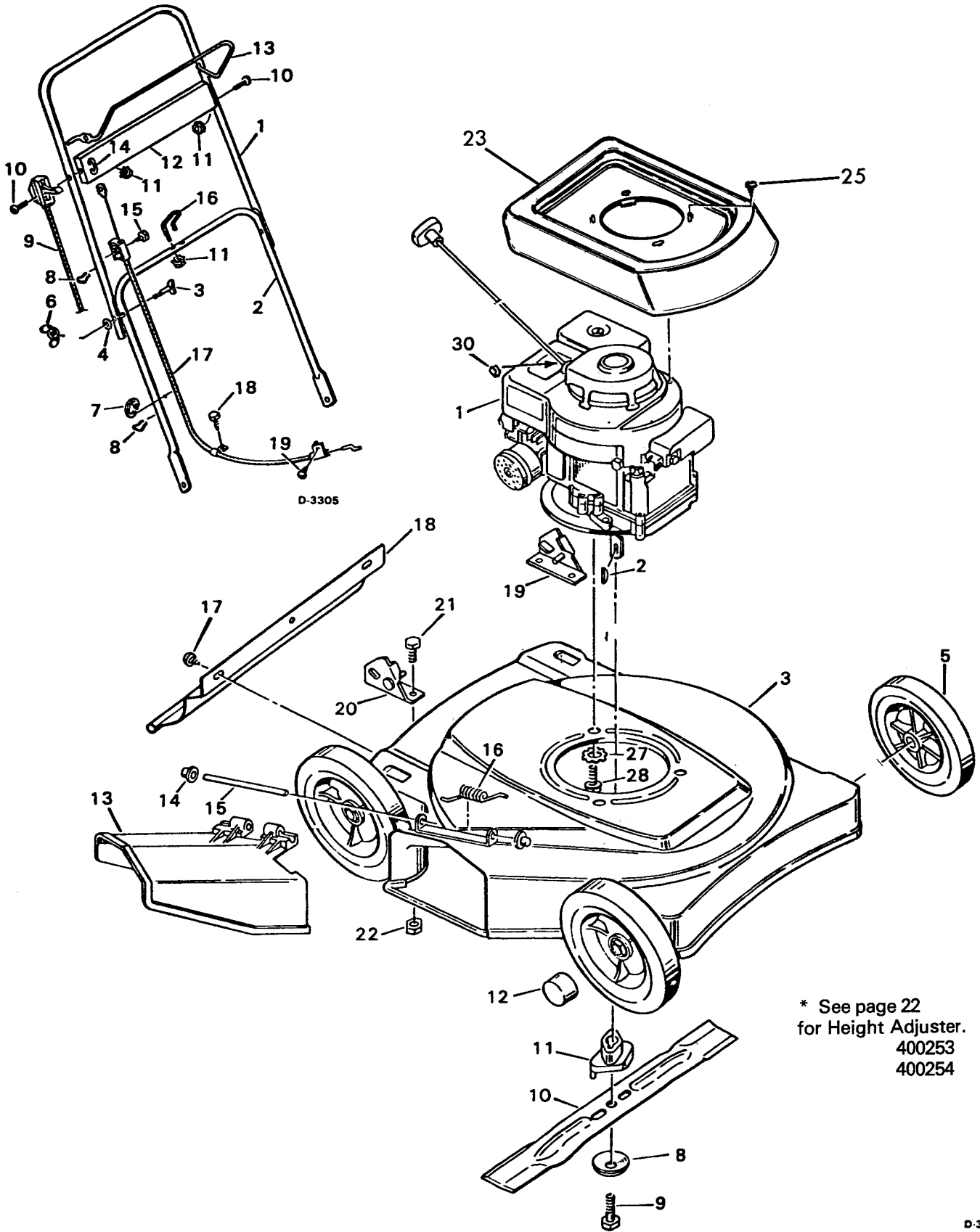


# MODEL 3-22071 22"

# MOWER HOUSING ILLUSTRATION



\* See page 22  
for Height Adjuster.  
400253  
400254

D-3313-1

## MOWER HOUSING PARTS LIST MODEL 3-22071 22"

KEY NO.	DESCRIPTION	22"
1	Engine	---
2	Woodruff Key	20062
3	Housing For Folding Handle	70055
5	Wheel and Tire	22495
8	Blade Washer	17X137
9	Hex Bolt	1X68
10	Blade	20046
* 11	Blade Adapter	20050
12	Hub Cap, Metal	22115
13	Chute Deflector	20454
14	Push On Cap	28X42
15	Pivot Pin	22050Z
16	Spring	166X5
17	Screw	26X219
18	Rear Guard	42587
19	Folding Handle Bracket L.H.	20199Z
20	Folding Handle Bracket R.H.	20198Z
21	Bolt	1X38
22	Nut	15X82
23	Engine Shroud	42440
25	Screw	26X160
27	Washer	19X8
28	Engine Bolt	20103
30	Rope Stop	42189
--	Parts Bag	42606
--	Owners Manual	F-6234

## PARTS LIST FOR HANDLES

KEY NO.	DESCRIPTION	NO. PART
1	Upper Handle	42376C
2	Lower Handle	42563C
3	Bolt for Wingnut	6X73Z
4	Washer	17X32Z
6	Wing Nut	14X83Z
7	Plastic Cable Clamp	22550
8	Cable Retainer, Metal	42188
9	Throttle Control, Lever	42093
10	Bolt	3X105
11	Keps Nut	15X66
12	Control Panel	42060
13	Engine Stop Lever	42387C
14	Hook	75079
15	Screw	26X220
16	U-Bolt	42361Z
17	Engine Stop Cable	42363
18	Screw	26X184
19	Screw	6X75

\* See page 23 for more information.

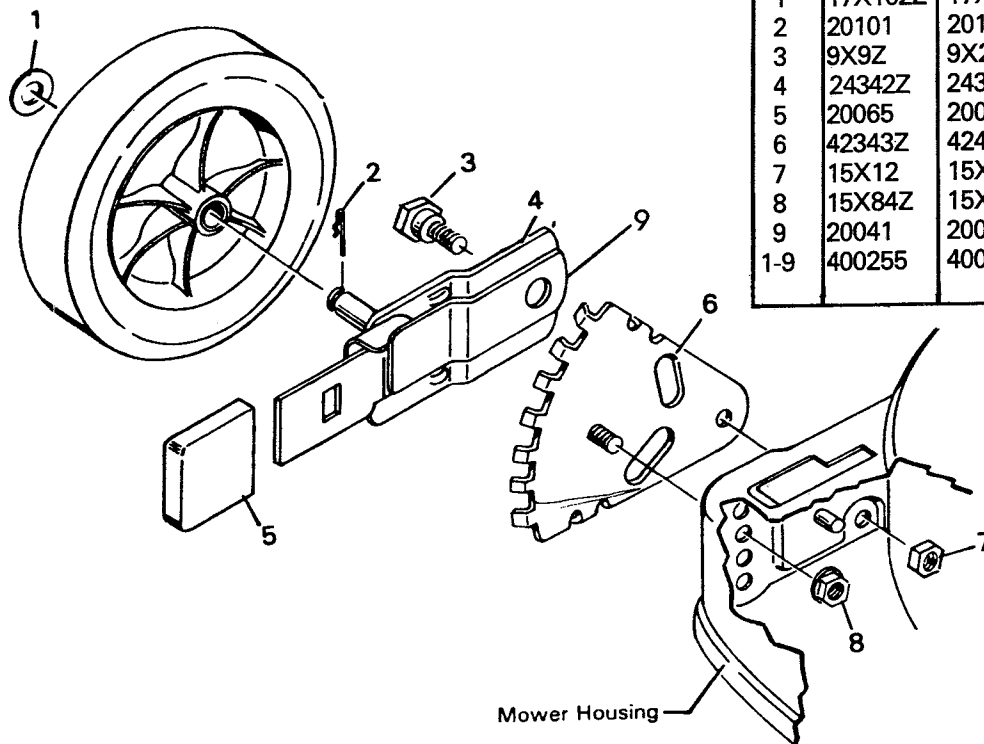
## DELUXE WHEEL ADJUSTER ASSEMBLY

**MODEL 400255 — SIDE BAGGER**

**400256 — REAR BAGGER - (FOR RIGHT FRONT & LEFT REAR)**

**400270 — REAR BAGGER - (FOR LEFT FRONT & RIGHT REAR)**

KEY NO.	MODEL 400255	MODEL 400256	MODEL 400270	DESCRIPTION
1	17X102Z	17X102Z	17X102Z	Washer
2	20101	20101	20101	Hair Pin
3	9X9Z	9X20Z	9X20Z	Shoulder Bolt
4	24342Z	24347Z	24347Z	Arm & Axle Assembly
5	20065	20065	20065	Grip
6	42343Z	42472Z	42471Z	Index Plate
7	15X12	15X12	15X12	Flange Locknut
8	15X84Z	15X84Z	15X84Z	Locknut
9	20041	20041	20041	Spring
1-9	400255	400256	400270	Complete Wheel Adjuster



## STANDARD WHEEL ADJUSTER ASSEMBLY MODELS 400253 OR 400254

KEY NO.	PART NO.	DESCRIPTION
1	9X24	Shoulder Bolt
2	42330	Spring
3	42331	Grip
4	42338Z	Adjuster Lever
5	42339Z	Wheel Adjuster Bracket
6	42336Z	Index Plate
7	42333	Spacer
8	10851Z	Washer
9	15X84	Flange Nut
10	17X122Z	Washer
11	20101	Hair Pin
1-10	400253	Wheel Adjuster Assembly Right Front or Left Rear
1-10	400254	Wheel Adjuster Assembly Left Front or Right Rear

