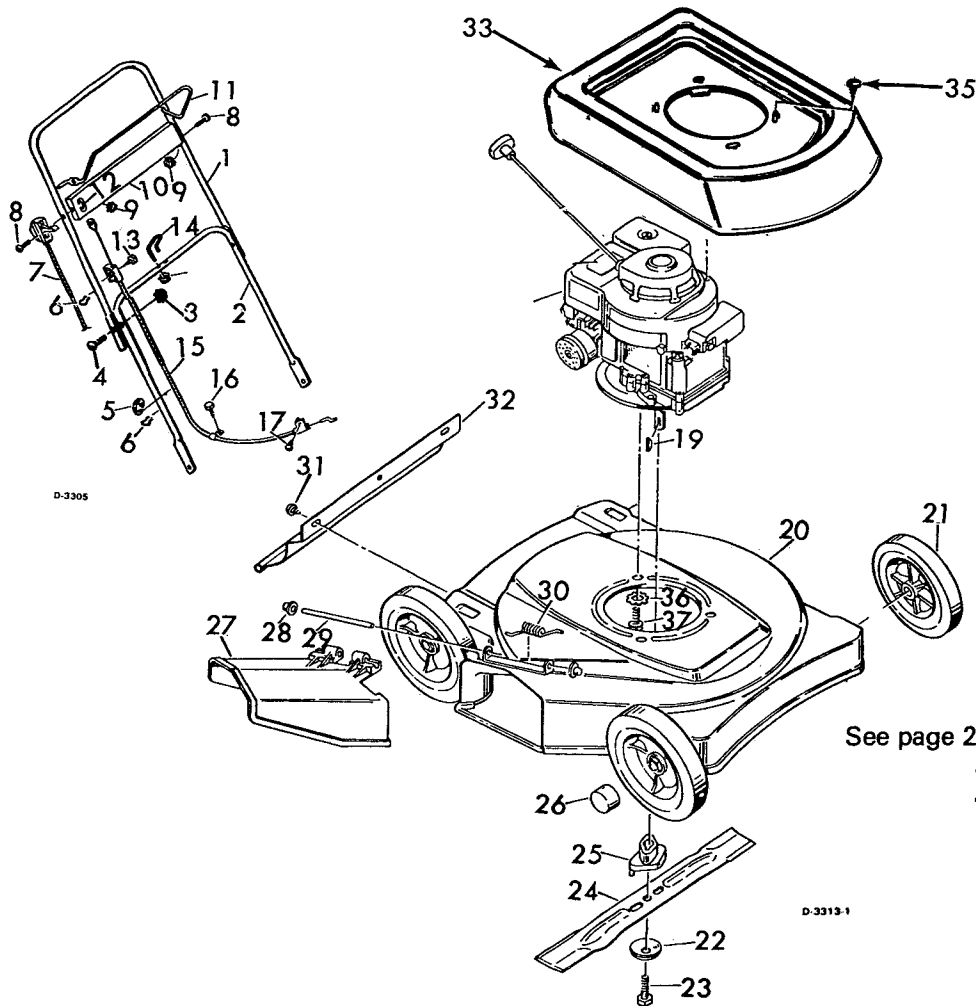


MODEL 3-22061 22" MOWER HOUSING ILLUSTRATION



| KEY NO. | DESCRIPTION | NO. PART | KEY NO. | DESCRIPTION | PARTS NO. |
|---------|--------------------------------|----------|---------|--------------------------------|-----------|
| 1 | Upper Handle | 42376C | 21 | Wheel and Tire | 20104 |
| 2 | Lower Handle | 42563C | 22 | Blade Washer | 17X137 |
| 3 | Keps Nut | 15X66 | 23 | Hex Bolt | 1X68 |
| 4 | Bolt | 3X136Z | 24 | Blade | 20046 |
| 5 | Plastic Cable Clamp | 22550 | *25 | Blade Adapter | 20050 |
| 6 | Cable Retainer, Metal | 42188 | 26 | Hub Cap, Plastic | 20107 |
| 7 | Throttle Control, Lever | 42093 | 27 | Chute Deflector | 20454 |
| 8 | Bolt | 3X105 | 28 | Push On Cap | 28X42 |
| 9 | Keps Nut | 15X66 | 29 | Pivot Pin | 22050Z |
| 10 | Control Panel | 42060 | 30 | Spring | 166X5 |
| 11 | Engine Stop Lever | 42387C | 31 | Screw | 26X219 |
| 12 | Hook | 75079 | 32 | Rear Guard | 42587 |
| 13 | Screw | 26X220 | 33 | Engine Shroud without oil fill | 42439 |
| 14 | U-Bolt | 42361Z | 35 | Screw | 26X160 |
| 15 | Engine Stop Cable | 42363 | 36 | Washer | 19X8 |
| 16 | Screw | 26X184 | 37 | Engine Bolt | 20103 |
| 17 | Screw | 6X75 | -- | Parts Bag | 42605 |
| 18 | Engine | --- | -- | Owners Manual | F6234 |
| 19 | Woodruff Key | 20062 | | | |
| 20 | Housing-for Non-folding Handle | 70054 | | | |

* See page 23 for more information.

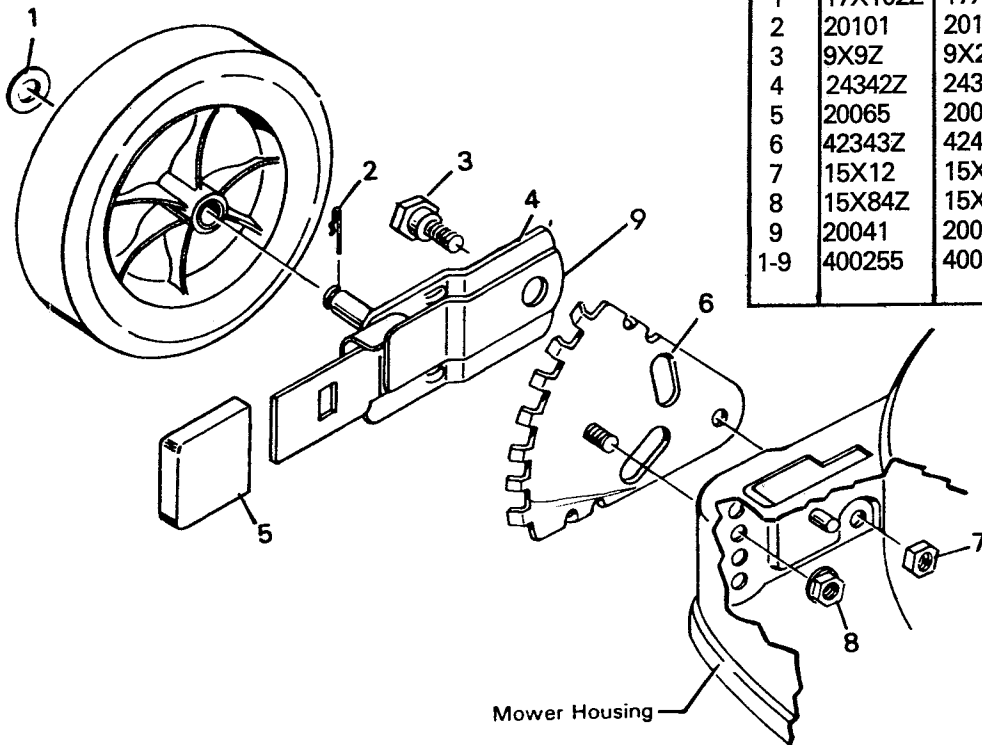
DELUXE WHEEL ADJUSTER ASSEMBLY

MODEL 400255 — SIDE BAGGER

400256 — REAR BAGGER - (FOR RIGHT FRONT & LEFT REAR)

400270 — REAR BAGGER - (FOR LEFT FRONT & RIGHT REAR)

| KEY NO. | MODEL 400255 | MODEL 400256 | MODEL 400270 | DESCRIPTION |
|---------|--------------|--------------|--------------|-------------------------|
| 1 | 17X102Z | 17X102Z | 17X102Z | Washer |
| 2 | 20101 | 20101 | 20101 | Hair Pin |
| 3 | 9X9Z | 9X20Z | 9X20Z | Shoulder Bolt |
| 4 | 24342Z | 24347Z | 24347Z | Arm & Axle Assembly |
| 5 | 20065 | 20065 | 20065 | Grip |
| 6 | 42343Z | 42472Z | 42471Z | Index Plate |
| 7 | 15X12 | 15X12 | 15X12 | Flange Locknut |
| 8 | 15X84Z | 15X84Z | 15X84Z | Locknut |
| 9 | 20041 | 20041 | 20041 | Spring |
| 1-9 | 400255 | 400256 | 400270 | Complete Wheel Adjuster |



STANDARD WHEEL ADJUSTER ASSEMBLY MODELS 400253 OR 400254

| KEY NO. | PART NO. | DESCRIPTION |
|---------|----------|---|
| 1 | 9X24 | Shoulder Bolt |
| 2 | 42330 | Spring |
| 3 | 42331 | Grip |
| 4 | 42338Z | Adjuster Lever |
| 5 | 42339Z | Wheel Adjuster Bracket |
| 6 | 42336Z | Index Plate |
| 7 | 42333 | Spacer |
| 8 | 10851Z | Washer |
| 9 | 15X84 | Flange Nut |
| 10 | 17X122Z | Washer |
| 11 | 20101 | Hair Pin |
| 1-10 | 400253 | Wheel Adjuster Assembly Right Front or Left Rear |
| 1-10 | 400254 | Wheel Adjuster Assembly Left Front or Right Rear |

