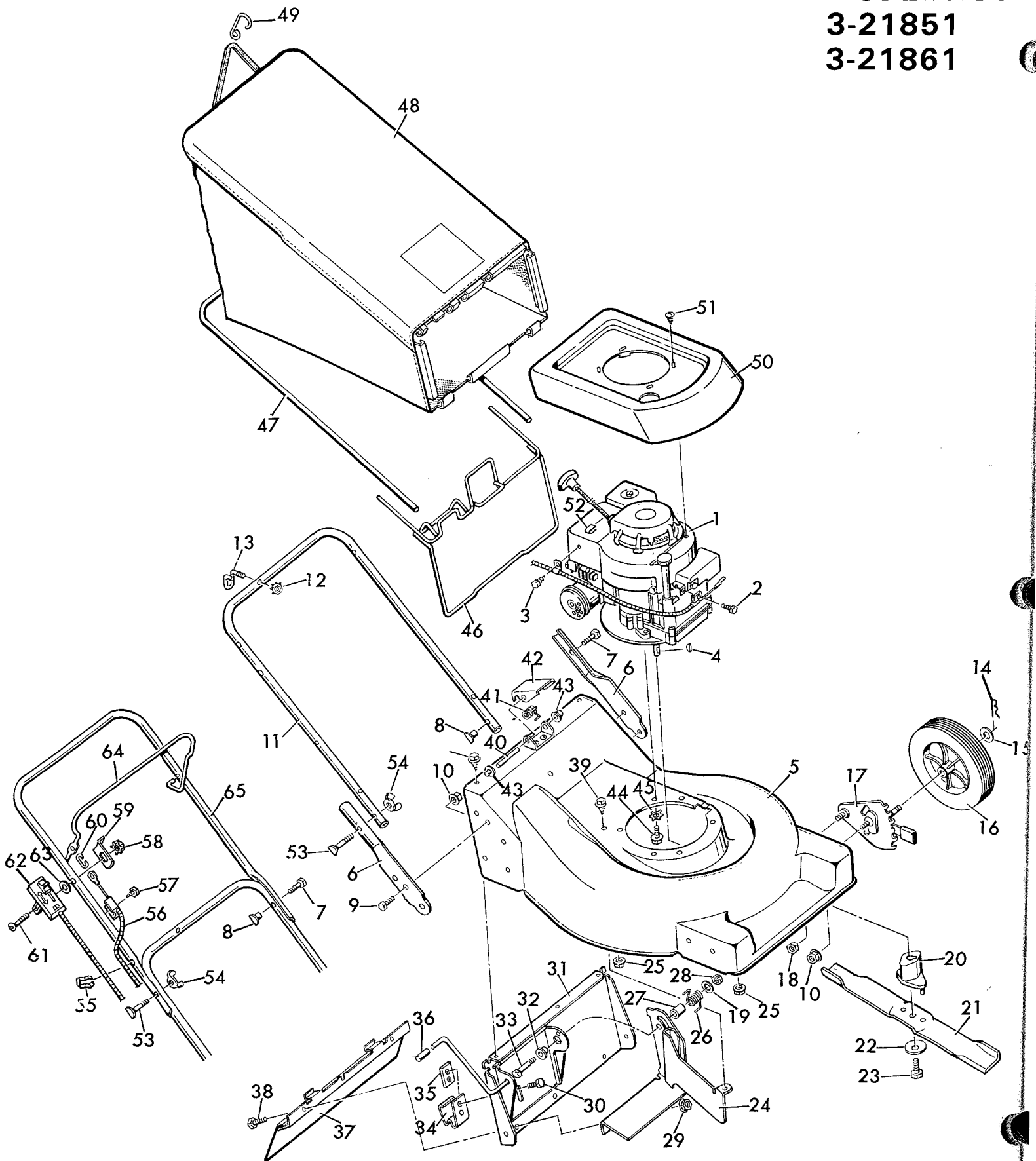


# MOWER HOUSING ILLUSTRATION

**MODEL NOS.**  
**3-21851**  
**3-21861**



# MOWER HOUSING PARTS LIST

**MODEL NOS.**  
**3-21851**  
**3-21861**

KEY NO.	DESCRIPTION	MODEL 21851	MODEL 21861	KEY NO.	DESCRIPTION	MODEL 21851	MODEL 21861
1	Engine			34	Door Lock Spring	42413	42413
2	Screw	6X75	6X75	35	Spacer	42420	42420
3	Screw	26X184	26X184	36	Grip-Door Lever	42423	42423
4	Woodruff Key	20062	20062	37	Rear Guard	70061	70061
5	Housing	70059	70059	38	Hex Bolt	1X38	1X38
6	Handle Mounting Brakt.	42422	42422	39	Tapping Screw	26X214	26X214
7	Hex Bolt	1X74	---	40	Latch Pin	42416Z	42416Z
8	T-Nut	20410	---	41	Spring	166X20	166X20
9	Hex Bolt	1X85	1X85	42	Latch	42415Z	42415Z
10	Hex Nut - Flange	15X84	15X84	43	Push On Cap	28X42	28X42
11	Lower Handle	42425	42425	44	Engine Mounting Bolt	20103	20103
12	Keps Nut	15X66	15X66	45	Shakeproof Washer	19X8	19X8
13	U-Bolt	42361Z	42361Z	46	Bag Frame Assy.	42433	42433
14	Cotter Hair Pin	20101	20101	47	Upper Support Tube	42432	42432
15	Washer	17X122Z	17X122Z	48	Bag Mesh	42430	42430
16	Wheel & Tire	20104	20104	49	Bag Hook	42431	42431
* * 17	Height Adjuster Assy.	---	---	50	Engine Shroud Assy.	---	42440
18	Stover Nut	15X12	15X12	51	Screw	---	26X160
19	Washer	17X104	17X104	52	Rope Stop	---	42189
* 20	Blade Adapter	20051	20051	53	Contour Head Bolt	---	6X73Z
21	Blade	22860	22860	54	Wing Nut	---	14X83Z
22	Blade Washer	17X137	17X137	55	Cable Retainer	42188Z	42188Z
23	Hex Bolt	1X69	1X69	56	Engine Stop Cable	42364	42364
24	Door Assy.	42448E	42448E	57	Screw	26X220	26X220
25	Flange Locknut	15X82	15X82	58	Keps Nut	15X66	15X66
26	Torsion Spring	166X21	166X21	59	Handle Stop	42368Z	42368Z
27	Door Spring Tube	42412C	42412C	60	Hook	75079	75079
28	Hex Nut - Flange	15X68	15X68	61	Screw	3X136Z	3X136Z
29	Flange Locknut	15X89	15X89	62	Throttle Control	42097	42097
30	Screw	25X2	25X2	63	Washer	17X32Z	17X32Z
31	Rear Plate	42408E	42408E	64	Engine Stop Lever	42389C	42389C
32	Spacer	22941	22941	65	Upper Handle	42426C	42426C
33	Hex Bolt	1X87	1X87				

\* See Page 23 For More Information.  
 \* \* See Page 22 For Height Adjuster Assembly 400256 and 400270.

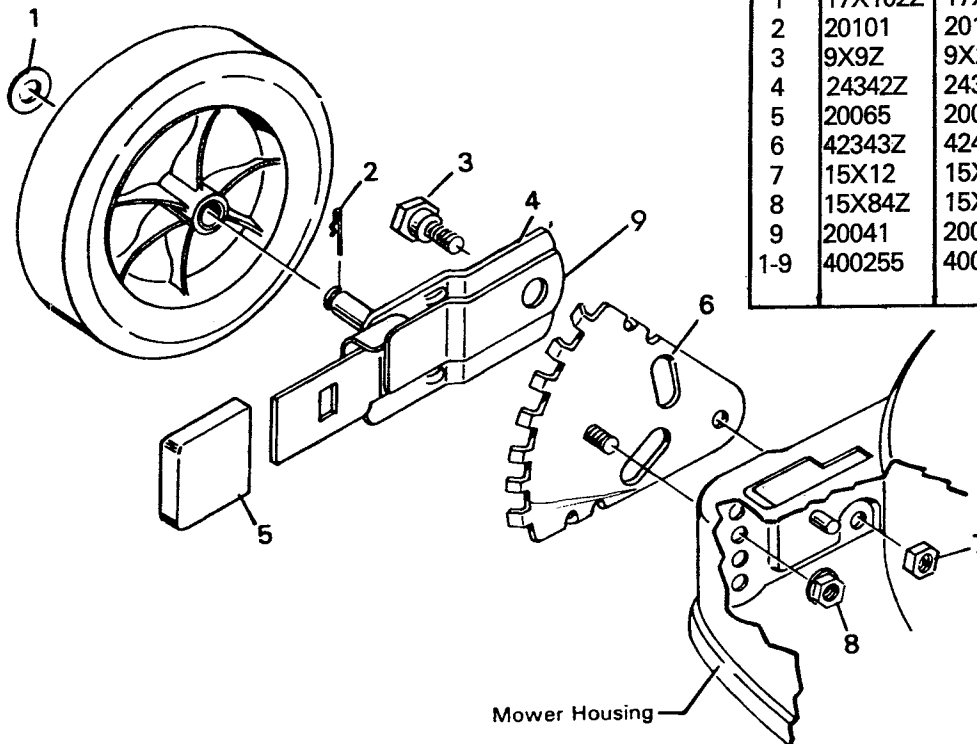
## DELUXE WHEEL ADJUSTER ASSEMBLY

**MODEL 400255 — SIDE BAGGER**

**400256 — REAR BAGGER - (FOR RIGHT FRONT & LEFT REAR)**

**400270 — REAR BAGGER - (FOR LEFT FRONT & RIGHT REAR)**

KEY NO.	MODEL 400255	MODEL 400256	MODEL 400270	DESCRIPTION
1	17X102Z	17X102Z	17X102Z	Washer
2	20101	20101	20101	Hair Pin
3	9X9Z	9X20Z	9X20Z	Shoulder Bolt
4	24342Z	24347Z	24347Z	Arm & Axle Assembly
5	20065	20065	20065	Grip
6	42343Z	42472Z	42471Z	Index Plate
7	15X12	15X12	15X12	Flange Locknut
8	15X84Z	15X84Z	15X84Z	Locknut
9	20041	20041	20041	Spring
1-9	400255	400256	400270	Complete Wheel Adjuster



## STANDARD WHEEL ADJUSTER ASSEMBLY MODELS 400253 OR 400254

KEY NO.	PART NO.	DESCRIPTION
1	9X24	Shoulder Bolt
2	42330	Spring
3	42331	Grip
4	42338Z	Adjuster Lever
5	42339Z	Wheel Adjuster Bracket
6	42336Z	Index Plate
7	42333	Spacer
8	10851Z	Washer
9	15X84	Flange Nut
10	17X122Z	Washer
11	20101	Hair Pin
1-10	400253	Wheel Adjuster Assembly Right Front or Left Rear
1-10	400254	Wheel Adjuster Assembly Left Front or Right Rear

