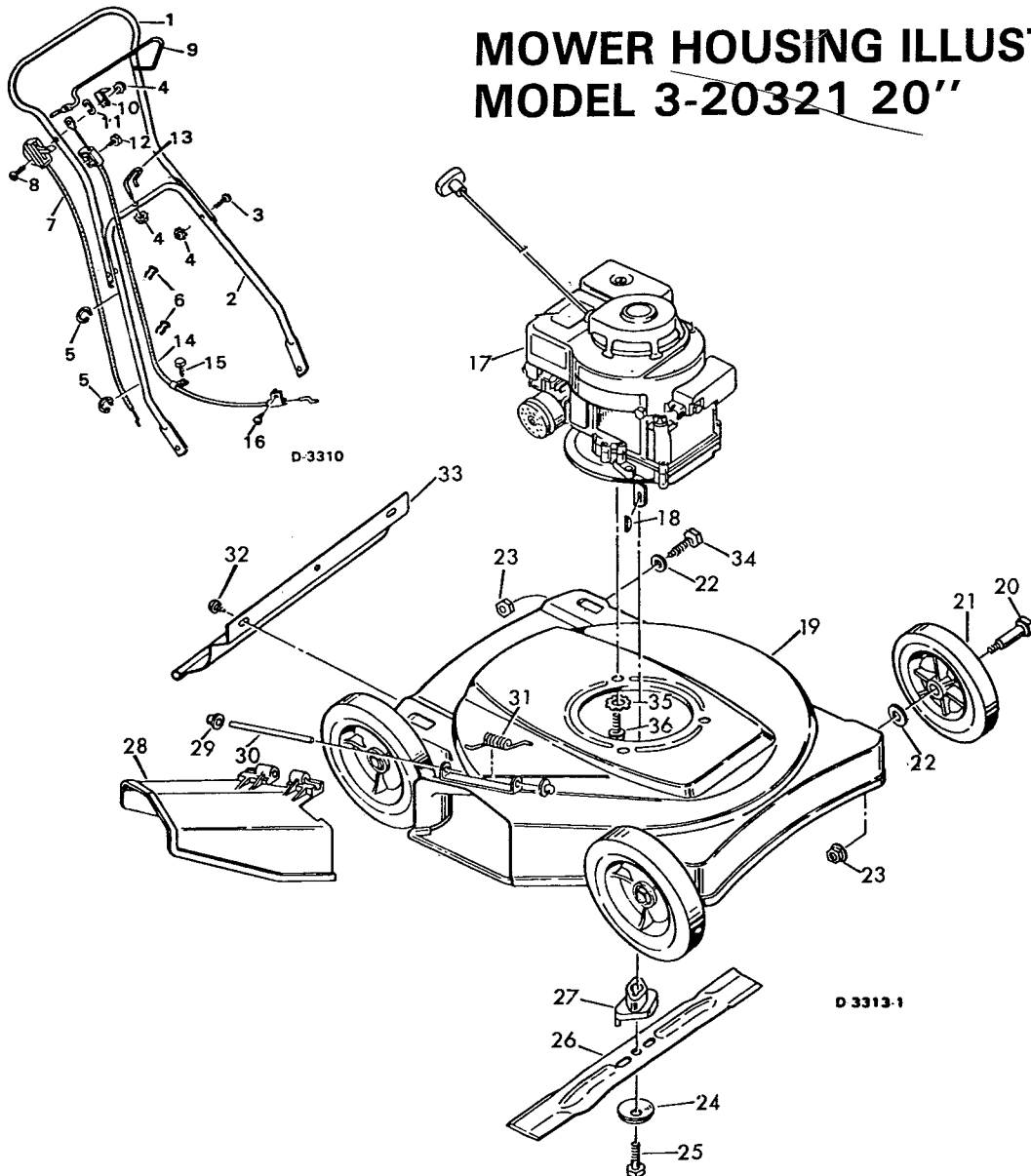


# MOWER HOUSING ILLUSTRATION MODEL 3-20321 20"



KEY NO.	DESCRIPTION	PARTS NO.	KEY NO.	DESCRIPTION	PART NO.
1	Upper Handle	42371C	20	Axle Bolt	9X10Z
2	Lower Handle	42562C	21	Wheel and Tire	42172
3	Bolt	3X136Z	22	Washer	10851Z
4	Keps Nut	15X66	23	Flange Locknut	15X68Z
5	Plastic Cable Clamp	22550	24	Blade Washer	17X137
6	Cable Retainer, Metal	42188	25	Hex Bolt	1X68
7	Throttle Control, Slide	42096	26	Blade	20045
8	Bolt	3X105	* 27	Blade Adapter	20050
9	Engine Stop Lever	42386C	28	Chute Deflector	20454
10	Handle Stop	42368Z	29	Push On Cap	28X42
11	Hook	75079	30	Pivot Pin	22050Z
12	Screw	26X220	31	Spring	166X5
13	U-Bolt	42361Z	32	Screw	26X219
14	Engine Stop Cable	42363	33	Rear Guard	42586
15	Screw	26X184	34	Bolt	1X70
16	Screw	6X75	35	Washer	19X8
17	Engine	---	36	Engine Bolt	20103
18	Woodruff Key	20062	--	Parts Bag	42600
19	Housing-for Non-folding Handle	70050	--	Owners Manual	F-6234

\* See page 23 for more information.