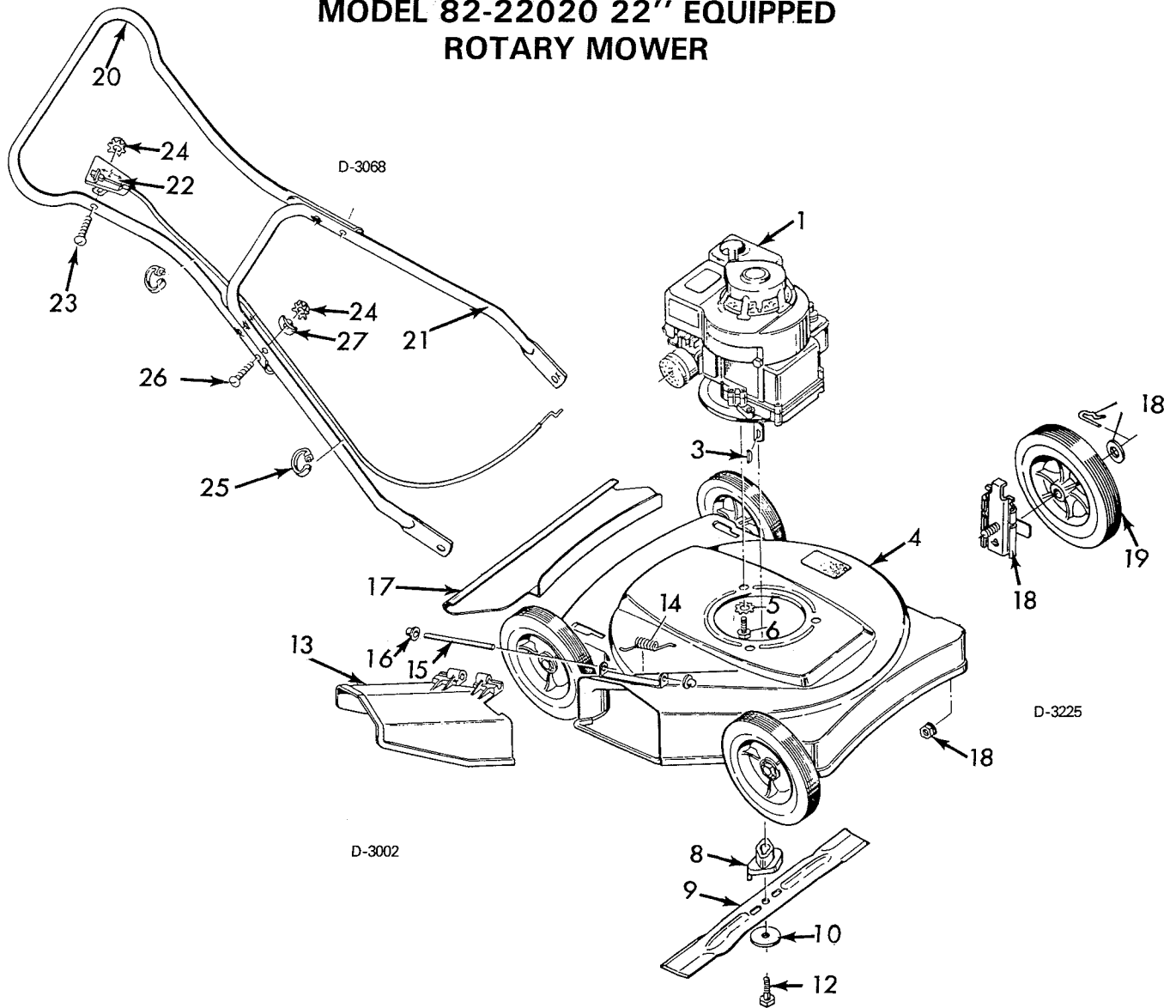


**MODEL 82-22020 22" EQUIPPED
ROTARY MOWER**

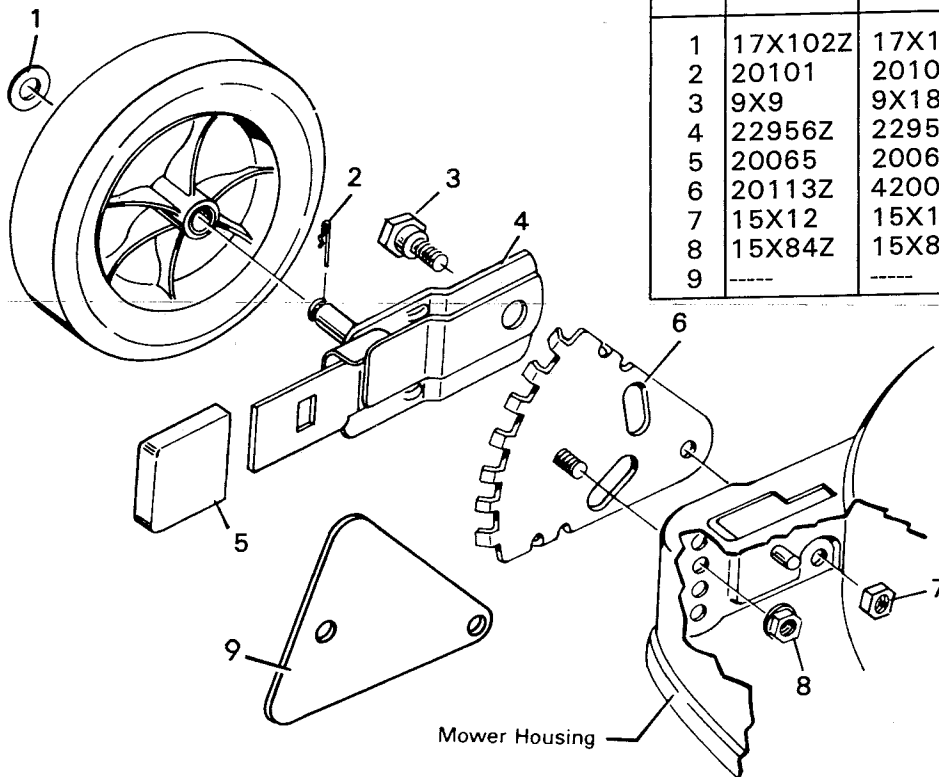


Key No.	Model 82-22020 Part No.	Description	Key No.	Model 82-22020 Part No.	Description
1	----	Engine	18	400251	Wheel Adjuster - Right Front & Left Rear*
3	20062	Woodruff Key	18	400252	Wheel Adjuster - Left Front & Right Rear*
4	70038	Housing Assy.	19	20270	Wheel & Tire
5	19X8	Shakeproof Washer	20	42190Z	Upper Handle Assembly
6	20103	Engine Bolt	21	42199Z	Lower Handle Assembly
8	20050	Blade Adapter	22	22058	Control & Cable
9	20046	Blade	23	3X97Z	Bolt
10	17X137Z	Washer	24	15X66	Keps Nut
12	1X68	Blade Adapter Bolt	25	22550	Cable Clips
13	20454	Chute Deflector	26	3X136Z	Bolt
14	166X5	Torsion Spring	27	17X132Z	Formed Washer
15	22050Z	Pivot Pin		42120	Parts Bag
16	28X42	Push-On-Cap		F-5612	Owners Manual
17	407018	Rear Guard			

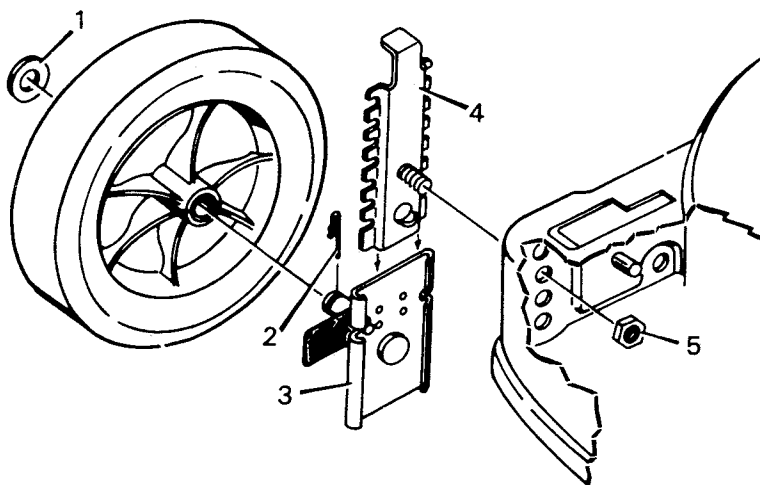
*Note: See page 18 for parts list for Wheel Adjuster Assembly.

DELUXE WHEEL ADJUSTER ASSEMBLY
MODEL 400246 - SIDE BAGGER
400247 - REAR BAGGER

KEY NO.	MODEL 400246	MODEL 400247	DESCRIPTION
1	17X102Z	17X102Z	Washer
2	20101	20101	Hair Pin
3	9X9	9X18	Shoulder Bolt
4	22956Z	22956Z	Arm and Axle Assembly
5	20065	20065	Lever Spring Knob
6	20113Z	42007Z	Index Plate Assembly
7	15X12	15X12	Flange Locknut
8	15X84Z	15X84Z	Locknut
9	----	----	



STANDARD WHEEL ADJUSTER ASSEMBLY
MODELS 400251 & 400252



Key No.	Part No.	Description
1	17X102Z	Washer
2	20101	Hair Pin
3	42102Z	Wheel Bracket Assembly - Right Front or Left Rear
	42103Z	Wheel Bracket Assembly - Left Front or Right Rear
4	42104Z	Index Plate Assembly
1-4	400251	Wheel Adjuster Assembly Right Front or Left Rear
1-4	400252	Wheel Adjuster Assembly - Left Front or Right Rear
5	15X84Z	Flange Locknut