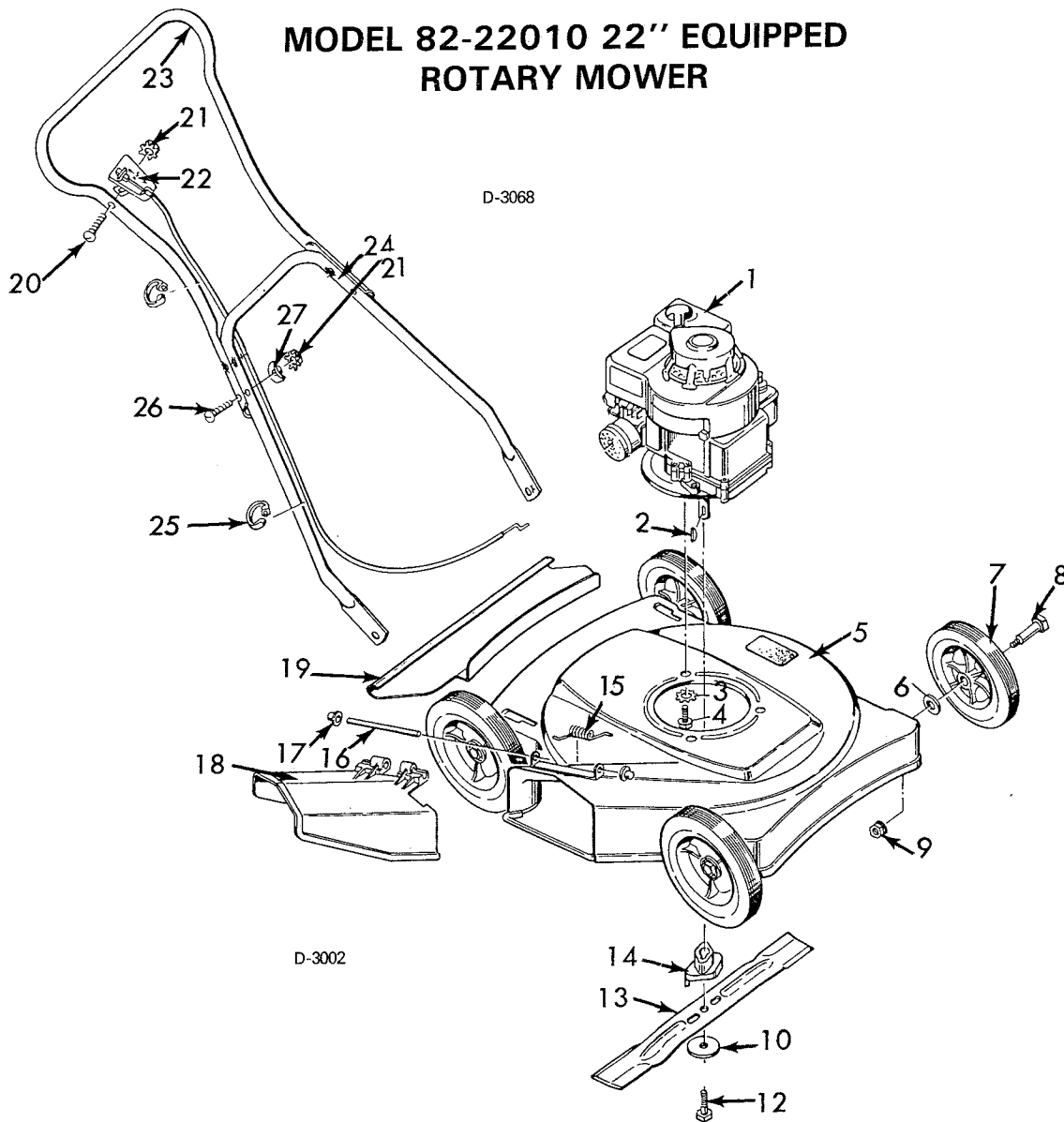


## MODEL 82-22010 22" EQUIPPED ROTARY MOWER



D-3068

D-3002

Key No.	Model 82-22010 Part No.	Description	Key No.	Model 82-22010 Part No.	Description
1	-----	Engine	15	166X5	Torsion Spring
2	20062	Woodruff Key	16	22050Z	Pivot Pin
3	19X8	Shakeproof Washer	17	28X42	Push-On-Cap
4	20103	Engine Bolt	18	20454	Chute Deflector
5	70036	Housing Assembly	19	407018	Rear Guard Panel
6	10851Z	Washer	20	3X97Z	Bolt
7	20270	Wheel & Tire	21	15X66	Keys Nut
8	9X10Z	Axle Bolt	22	22058	Control Assembly 82-22010
9	15X84	Flange Locknut	23	42190Z	Upper Handle Assembly
10	17X137Z	Washer	24	42199Z	Lower Handle Assembly
12	1X68	Blade Adaptor Bolt	25	22550	Cable Clip
13	20046	Blade	26	3X136Z	Screw
14	20050	Blade Adapter	27	17X132Z	Formed Washer
				42120	Parts Bag
				F-5612	Owner's Manual 82-22010