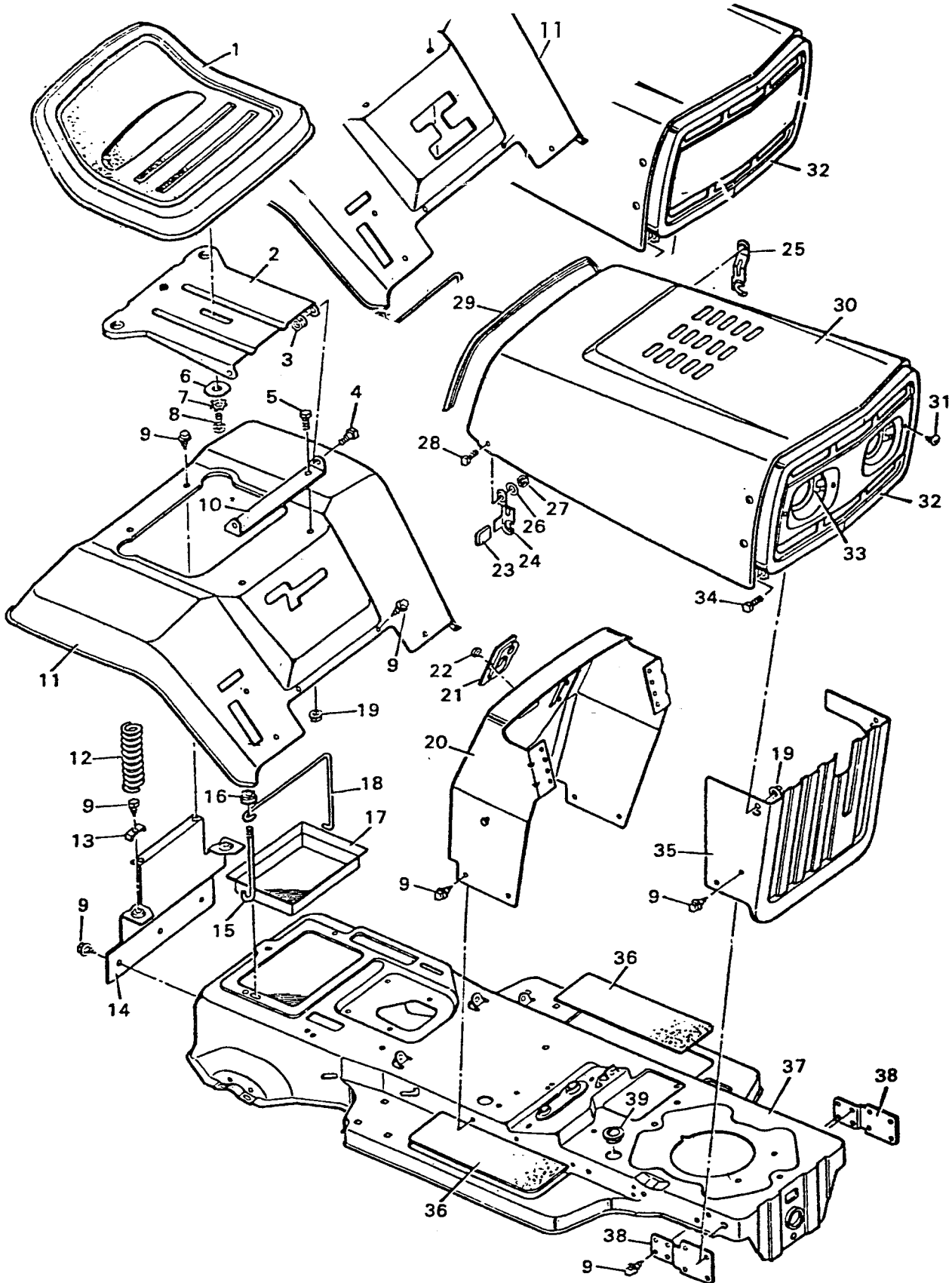


81-30334  
81-36334  
81-36336  
81-36337

**BODY PARTS**



81-30334

81-36334

81-36336

81-36337

BODY PARTS

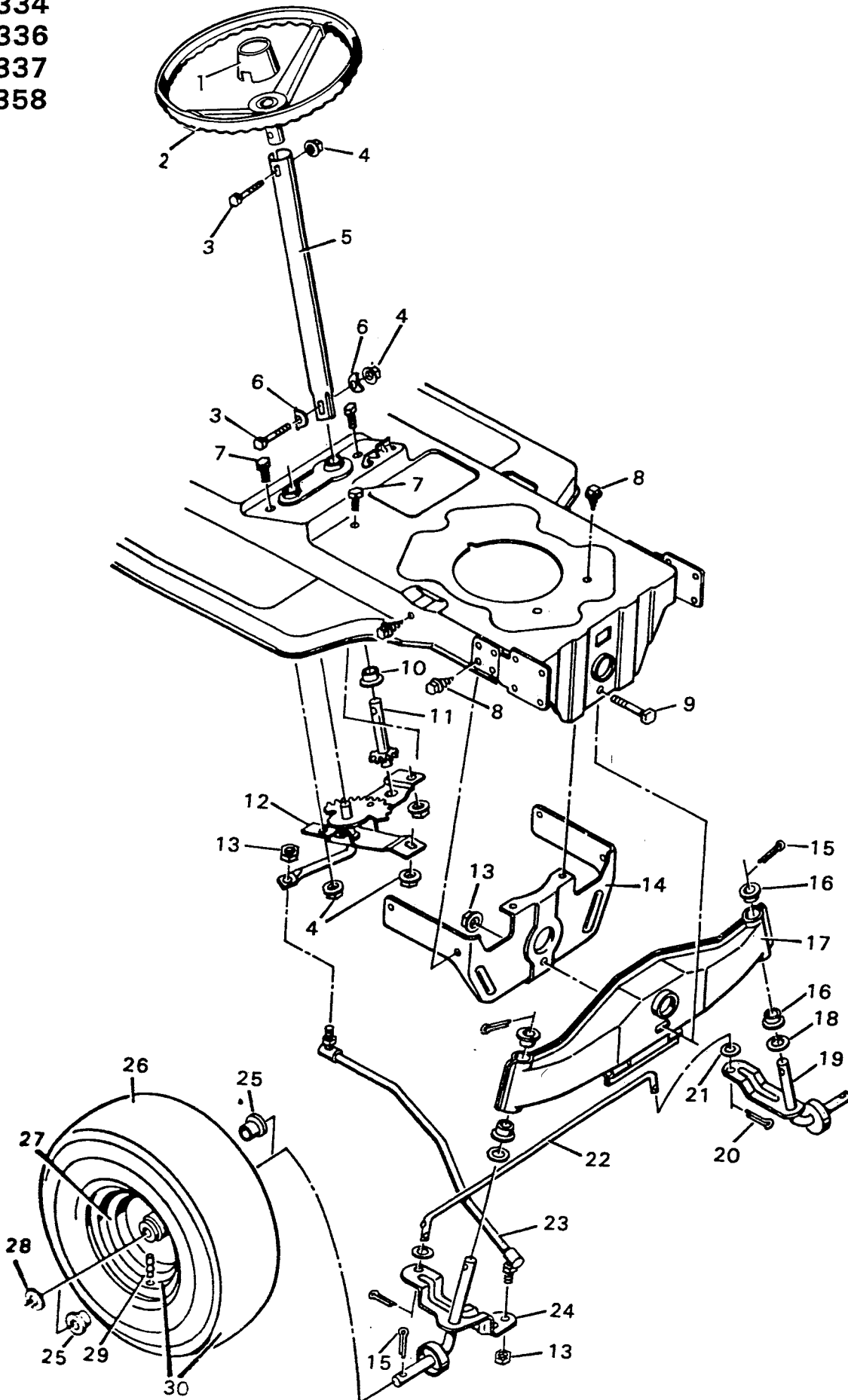
## PARTS LIST

| KEY NO. | 81-30334 PART NO. | 81-36334 PART NO. | 81-36336 PART NO. | 81-36337 PART NO. | DESCRIPTION                                       |
|---------|-------------------|-------------------|-------------------|-------------------|---|
| 1       | 24621             | 24621             | 24621             | 24621             | Seat Assembly                                     |
| 2       | 90032             | 90032             | 90032             | 90032             | Seat Support                                      |
| 3       | 15X84             | 15X84             | 15X84             | 15X84             | Flange Locknut $\frac{3}{8}$ "-16                 |
| 4       | 9X15              | 9X15              | 9X15              | 9X15              | Shoulder Bolt $\frac{3}{8}$ "-16X $\frac{7}{8}$ " |
| 5       | 1X92              | 1X92              | 1X92              | 1X92              | Hex Bolt $\frac{5}{16}$ "-18X $\frac{1}{2}$ "     |
| 6       | 20663Z            | 20663             | 20663Z            | 20663Z            | Washer  |
| 7       | 19X36             | 19X36             | 19X36             | 19X36             | Shakeproof Washer                                 |
| 8       | 1X88              | 1X88              | 1X88              | 1X88              | Hex Bolt $\frac{1}{2}$ "-13X $\frac{3}{4}$ "      |
| 9       | 26X49             | 26X49             | 26X49             | 26X49             | Screw   |
| 10      | 90031             | 90031             | 90031             | 90031             | Pivot Bracket                                     |
| 11      | 90182             | 90182             | 90064             | 90064             | Seat Deck   |
| 12      | 90054             | 90054             | 90054             | 90054             | Spring  |
| 13      | 90014             | 90014             | 90014             | 90014             | Spring Retainer                                   |
| 14      | 90007             | 90007             | 90007             | 90007             | Seat Deck Support                                 |
| 15      | 90012Z            | 90012Z            | 90012Z            | 90012Z            | Clamp Rod - Battery                               |
| 16      | 15X82Z            | 15X82             | 15X82Z            | 15X82Z            | Flange Hex Nut                                    |
| 17      | 24157             | 24157             | 24157             | 24157             | Battery Tray                                      |
| 18      | 90021Z            | 90158Z            | 90158Z            | 90158Z            | Battery Hold-Down Wire                            |
| 19      | 15X88             | 15X88             | 15X88             | 15X88             | Flange Locknut $\frac{5}{16}$ "-18                |
| 20      | 90198             | 90166             | 90166             | 90166             | Dashboard Assembly                                |
| 21      | 90081             | 90081             | 90081             | 90081             | Bearing - Steering Post                           |
| 22      | 26X186            | 26X186            | 26X186            | 26X186            | Screw   |
| 23      | 21434             | 21434             | 21434             | 21434             | Grip - Hood Latch *                               |
| 24      | 90146Z            | 90146Z            | 90146Z            | 90146Z            | Hood Latch - R.H. *                               |
| 25      | 90147Z            | 90147Z            | 90147Z            | 90147Z            | Hood Latch - L.H. *                               |
| 26      | 17X17Z            | 17X17Z            | 17X17Z            | 17X17Z            | Washer *  |
| 27      | 15X81             | 15X81             | 15X81             | 15X81             | Hex Nut #10-24 *                                  |
| 28      | 4X10Z             | 4X20Z             | 4X20Z             | 4X20Z             | Machine Screw #10-24X $\frac{1}{2}$ " *           |
| 29      | 21765             | 21765             | 21765             | 21765             | Edge Trim *                                       |
| 30      | 90168             | 90168             | 90168             | 90168             | Hood Assembly - Complete                          |
| 31      | 26X159            | 15X159            | 26X159            | 26X159            | Tapping Screw                                     |
| 32      | 21712C            | 21706C            | 21706C            | 21706C            | Upper Grille Assembly                             |
| 33      | -----             | 21720E            | 21720E            | 21720E            | Headlight Retainer                                |
| 34      | 1X45              | 1X45              | 1X45              | 1X45              | Hex Bolt $\frac{5}{16}$ "-18X $\frac{5}{8}$ "     |
| 35      | 90141             | 90141             | 90141             | 90141             | Lower Grille                                      |
| 36      | 90148             | 90148             | 90148             | 90148             | Mat - Foot Rest                                   |
| 37      | 90000             | 90000             | 90000             | 90001             | Frame Channel                                     |
| 38      | 90143             | 90143             | 90143             | 90143             | Grille Bracket                                    |
| 39      | 21268             | 21268             | 21268             | 21268             | Grommet   |
|         | 90128             | 90128             | 90128             | 90128             | Parts Bag Assembly                                |
|         | F-5542            | F-5317            | F-5179            | F-5179            | Owner's Manual                                    |
|         | F-5543            | F-5307            | F-5306            | F-5414            | Parts List  |

\*NOTE: These numbers are included in with key no. 30.

81-30334  
81-36334  
81-36336  
81-36337  
81-36358

**STEERING PARTS**



## STEERING PARTS

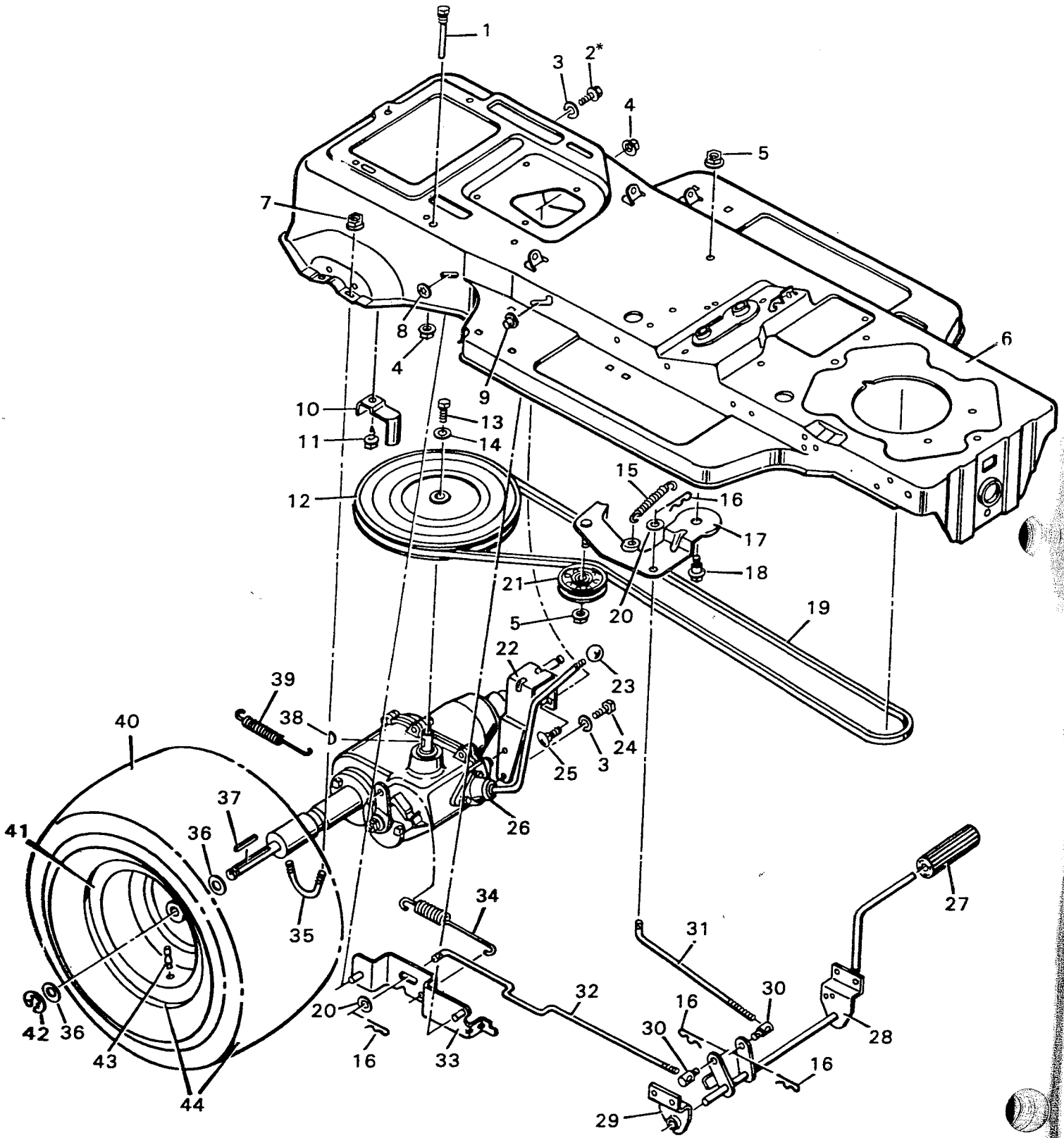
81-30334  
 81-36334  
 81-36336  
 81-36337  
 81-36358

| KEY<br>NO. | 81-36336             | 81-30334 | DESCRIPTION                                    |
|------------|----------------------|----------|--|
|            | 81-36337<br>81-36358 | 81-36334 |  |
| 1          | 23573                | 23573    | Steering Wheel Cap                             |
| 2          | 90126                | 90126    | Steering Wheel                                 |
| 3          | 1X102                | 1X102    | Hex Bolt $\frac{5}{16}$ "-18X1 $\frac{1}{2}$ " |
| 4          | 15X88                | 15X88    | Flange Locknut $\frac{5}{16}$ "-18             |
| 5          | 90130C               | 90130C   | Steering Post                                  |
| 6          | 17X132               | 17X132   | Cup Washer                                     |
| 7          | 1X45                 | 1X45     | Hex Bolt $\frac{5}{16}$ "-18X $\frac{5}{8}$ "  |
| 8          | 26X49                | 26X49    | Screw  |
| 9          | 1X101                | 1X101    | Hex Bolt $\frac{3}{8}$ "-24X3 $\frac{1}{4}$ "  |
| 10         | 90096                | 90096    | Bearing  |
| 11         | 90132                | 90132    | Pinion Gear & Shaft                            |
| 12         | 90025                | 90025    | Sector Gear Assembly                           |
| 13         | 15X87                | 15X87    | Flange Locknut $\frac{3}{8}$ "-24              |
| 14         | 90002                | 90002    | Axle Support - Front                           |
| 15         | 30X49                | 30X49    | Cotter Pin                                     |
| 16         | 90035                | 90035    | Bearing  |
| 17         | 90034                | 90034    | Axle Assembly                                  |
| 18         | 17X113               | 17X113   | Washer   |
| 19         | 90037                | 90139    | Left Handle Spindle Assembly                   |
| 20         | 30X20                | 30X20    | Cotter Pin                                     |
| 21         | 17X57                | 17X57    | Washer   |
| 22         | 90038                | 90038    | Tie Rod  |
| 23         | 90041                | 90041    | Drag Link Assembly                             |
| 24         | 90036                | 90038    | Right Handle Spindle Assembly                  |
| 25         | 24367                | 24367    | Bearing*                                       |
| 26         | 407906               | 407907   | Tire Only*                                     |
| 27         | 407905               | 407909   | Wheel Only*                                    |
| 28         | 17X83Z               | 17X83Z   | Washer   |
| 29         | 24373                | 24373    | Valve Stem & Cap*                              |
| 30         | 24378                | 90218    | Wheel Assembly                                 |

NOTE: Some manuals show 407907 as a valve stem and cap. This is a typographical error - all valve stems and caps should be 24373.

MODEL NO. 81-36336  
81-36337

DRIVE PARTS



\*Item 2 requires a TORX or equivalent socket for service requirements.

MODEL NO. 81-36336  
81-36337

DRIVE PARTS

## PARTS LIST

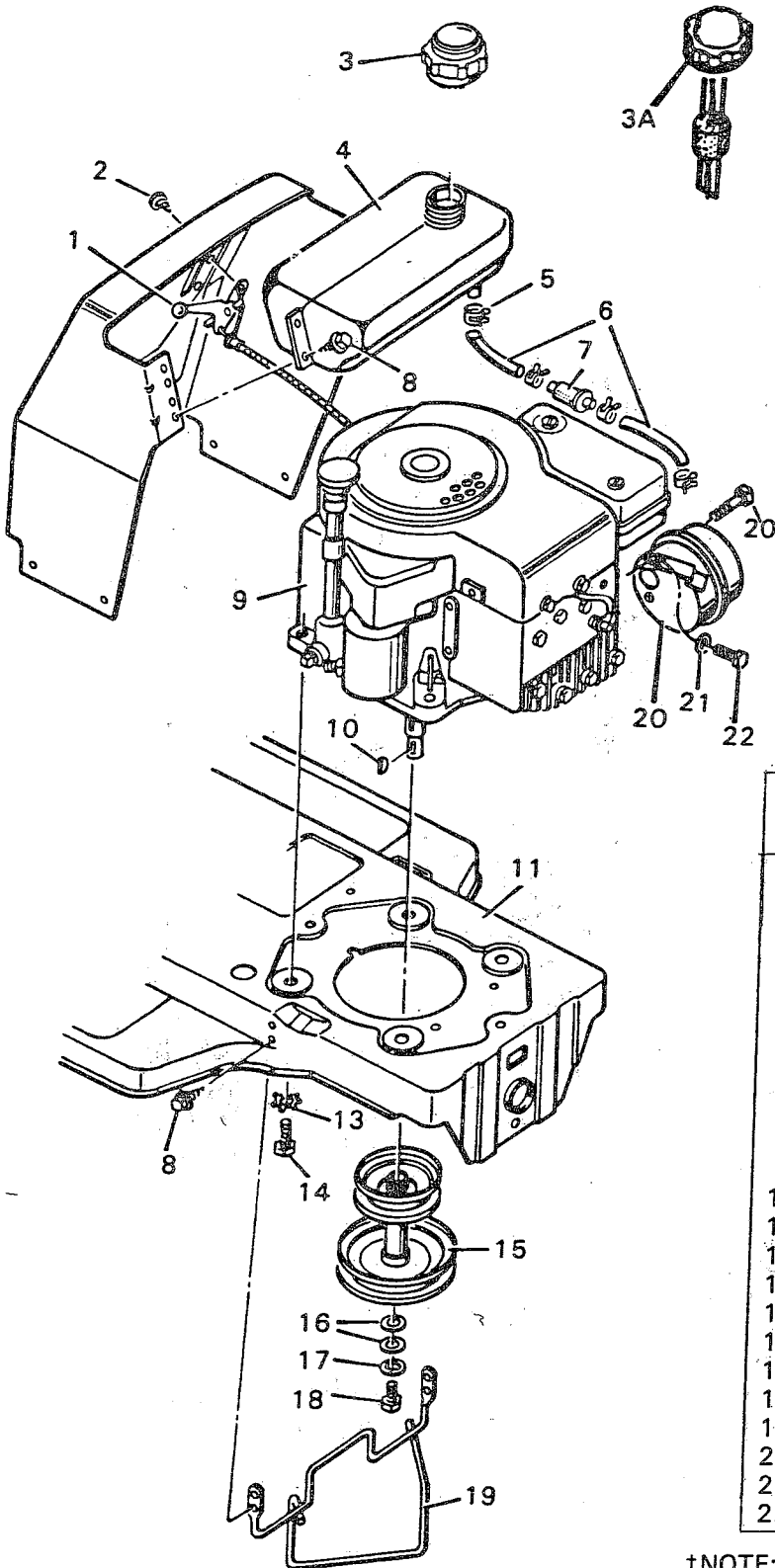
| KEY NO. | 81-36336 | 81-36337 | DESCRIPTION  |
|---------|----------|----------|--|
| 1       | 20619    | 20619    | Guide Bolt   |
| 2       | 6X70     | 6X70     | Torx Flange Head Screw $\frac{5}{16}$ "-18X1"      |
| 3       | 18X15    | 18X15    | Lockwasher   |
| 4       | 15X79    | 15X79    | Flange Nut $\frac{5}{16}$ "-18                     |
| 5       | 15X84    | 15X84    | Flange Locknut $\frac{5}{8}$ "-18                  |
| 6       | 90000    | 90001    | Frame Channel                                      |
| 7       | 15X88    | 15X88    | Flange Locknut $\frac{5}{16}$ "-18                 |
| 8       | 28X44    | 28X44    | Push Nut   |
| 9       | 90145    | 90145    | Cap Retainer                                       |
| 10      | 90008    | 90008    | Belt Guide   |
| 11      | 26X49    | 26X49    | Screw  |
| 12      | 21447    | 21447    | Pulley   |
| 13      | 1X38Z    | 1X38Z    | Hex Bolt $\frac{1}{4}$ "-20X $\frac{5}{8}$ "       |
| 14      | 18X30    | 18X30    | Spring Lockwasher                                  |
| 15      | 90071    | 90071    | Extension Spring                                   |
| 16      | 20692    | 20692    | Hairpin  |
| 17      | 90011Z   | 90011Z   | Idler Bracket Assembly                             |
| 18      | 9X12     | 9X12     | Shoulder Bolt $\frac{5}{8}$ "-16X $\frac{7}{8}$ "  |
| 19      | 37X31    | 37X31    | Drive Belt   |
| 20      | 17X53Z   | 17X53Z   | Washer   |
| 21      | 21409    | 21409    | Idler Pulley                                       |
| 22      | 90074Z   | 90074Z   | Transaxle Support                                  |
| 23      | 20844    | 20844    | Knob - Shift Lever                                 |
| 24      | 1X84     | 1X84     | Hex Bolt $\frac{5}{16}$ "-18X1"                    |
| 25      | 2X53Z    | 2X53Z    | Carriage Bolt $\frac{5}{16}$ "-18X $\frac{5}{8}$ " |
| 26      | 90072    | 90072    | Transaxle†   |
| 27      | 21544    | 21544    | Clutch and Brake Pedal                             |
| 28      | 90027    | 90027    | Lever Assembly                                     |
| 29      | 90013    | 90013    | Support Bracket                                    |
| 30      | 21920    | 21920    | Adjusting Nut                                      |
| 31      | 90066Z   | 90066Z   | Clutch Rod   |
| 32      | 90067Z   | 90067Z   | Brake Rod  |
| 33      | 90068Z   | 90068Z   | Brake Link Assembly                                |
| 34      | 90170    | 90170    | Brake Spring                                       |
| 35      | 90017Z   | 90017Z   | U-Bolt   |
| 36      | 21521    | 21521    | Transaxle Washer                                   |
| 37      | 21553    | 21553    | Square Key $\frac{3}{16}$ "X2"                     |
| 38      | 21539    | 21539    | Woodruff Key No. 61                                |
| 39      | 90142    | 90142    | Spring   |
| 40      | 403007   | 407903   | Tire Only**  |
| 41      | 403004   | 407902   | Wheel Only*  |
| 42      | 11X3     | 11X3     | E-Ring   |
| 43      | 24373    | 24373    | Valve Stem and Cap*                                |
| 44      | 21648    | 24377    | Wheel and Tire Assembly**                          |

\*NOTE: These numbers are included in key no. 44.

†NOTE: All parts pertaining to this transmission are available from Tecumseh Parts and Service Centers listed in the yellow pages of the telephone directory under "Engines, Gasoline" or "Gasoline Engines".

\*\*Order by Part Number and Brand Name, Example:  
24377 Armstrong Wheel Assembly  
24375 Armstrong Tire Only

Complete Transaxle, page 108, 109.

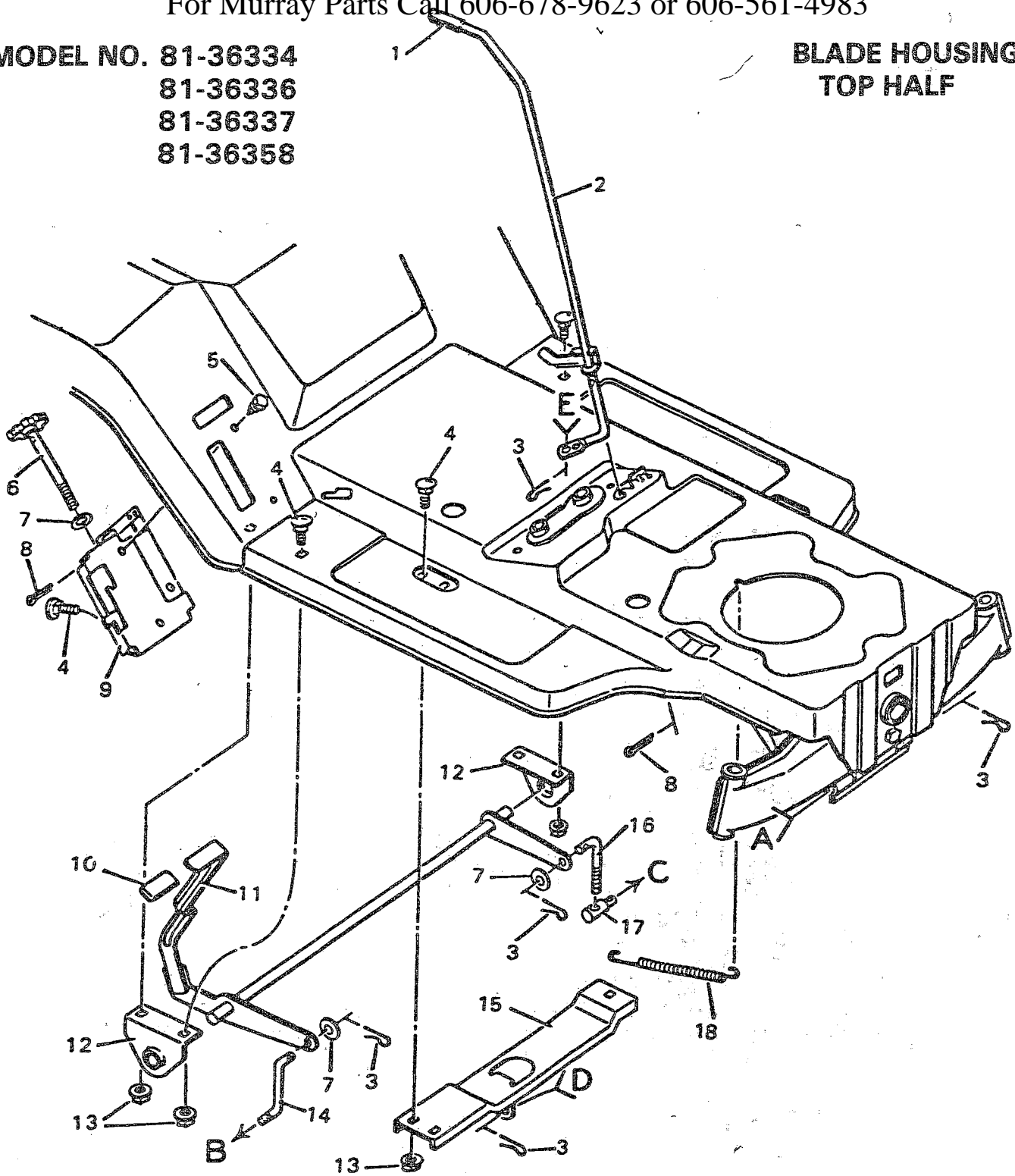


| KEY NO. | PART NO. | DESCRIPTION              |
|---------|----------|--------------------------|
| 1       | 90095    | Throttle Control & Cable |
| ---     | 20339    | Knob - Throttle Control  |
| 2       | 26X159   | Tapping Screw            |
| 3       | 23711    | Gas Cap                  |
| 3A      | 24064    | Gas Cap W/Gauge          |
| 4       | 23300    | Gas Tank                 |
| 5       | 23713    | Hose Clamp               |
| 6       | 23715    | Fuel Line                |
| 7       | 24159    | Filter                   |
| 8       | 26X214   | Tapping Screw            |
| 9       | -----    | Engine †                 |
| 10      | 20062    | Woodruff Key No. 6       |
| 11      | 90001    | Frame Channel            |
| 13      | 19X8     | Shakeproof Washer        |
| 14      | 20103    | Bolt - Engine Mount      |
| 15      | 90005Z   | Stack Pulley Assembly    |
| 16      | 10851Z   | Washer                   |
| 17      | 19X39    | Shakeproof Washer        |
| 18      | 1X20     | Hex Bolt 3/8"-24X1"      |
| 19      | 90075Z   | Belt Guide Assembly      |
| 20      | 23985    | Muffler                  |
| 21      | 18X32    | Lockwasher               |
| 22      | 1X38     | Hex Bolt 1/4"-20X5/8"    |

†NOTE: Your Engine Model, Type & Code Number is stamped on the Blower Housing. All parts pertaining to the engine are available from the Briggs & Stratton Parts and Service Station listed in the yellow pages of the classified Telephone Directory.

MODEL NO. 81-36334  
 81-36336  
 81-36337  
 81-36358

**BLADE HOUSING  
 TOP HALF**



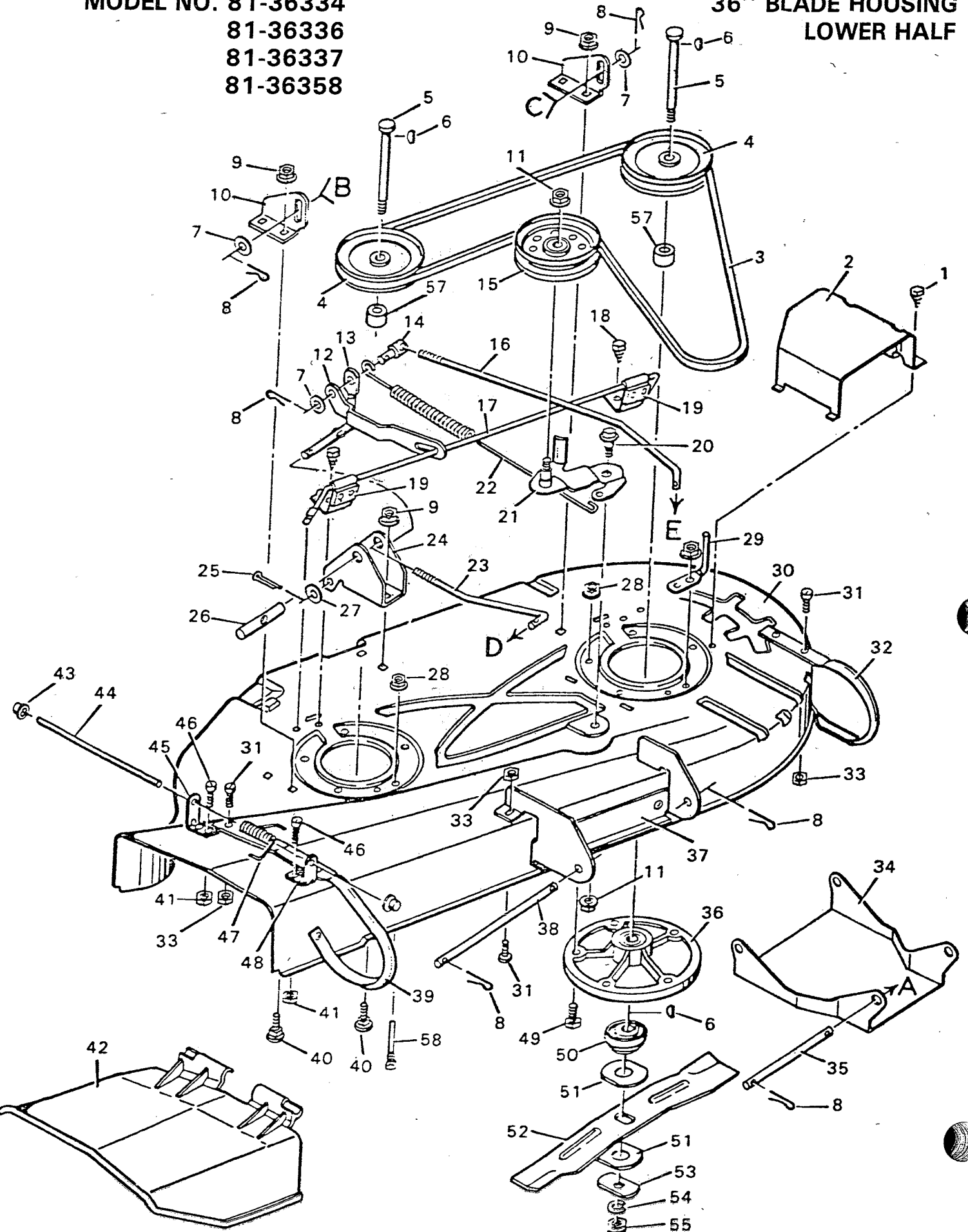
**PARTS LIST**

| KEY NO. | PART NO. | DESCRIPTION                  | KEY NO. | PART NO. | DESCRIPTION     |
|---------|----------|------------------------------|---------|----------|-----------------|
| 1       | 20476    | Grip                         | 10      | 23340    | Grip            |
| 2       | 90030Z   | Control Lever Assembly       | 11      | 90043    | Lifter Assembly |
| 3       | 75336    | Hair Pin                     | 12      | 90042    | Hanger Bracket  |
| 4       | 2X53     | Carriage Bolt                | 13      | 15X79    | Hex Flange Nut  |
| 5       | 26X49    | Screw                        | 14      | 90099Z   | Lifter Rod      |
| 6       | 90078Z   | Adjusting Screw Assembly     | 15      | 90028    | Support Channel |
| 7       | 17X53Z   | Washer                       | 16      | 90100Z   | Adjusting Rod   |
| 8       | 30X20    | Cotter Pin                   | 17      | 21920    | Adjusting Nut   |
| 9       | 404063   | Height Adjust Brkt. Assembly | 18      | 90085    | Spring          |



MODEL NO. 81-36334  
81-36336  
81-36337  
81-36358

36" BLADE HOUSING  
LOWER HALF



MODEL NO. 81-36334

## PARTS LIST

36" BLADE HOUSING  
LOWER HALF

81-36336

81-36337

81-36358

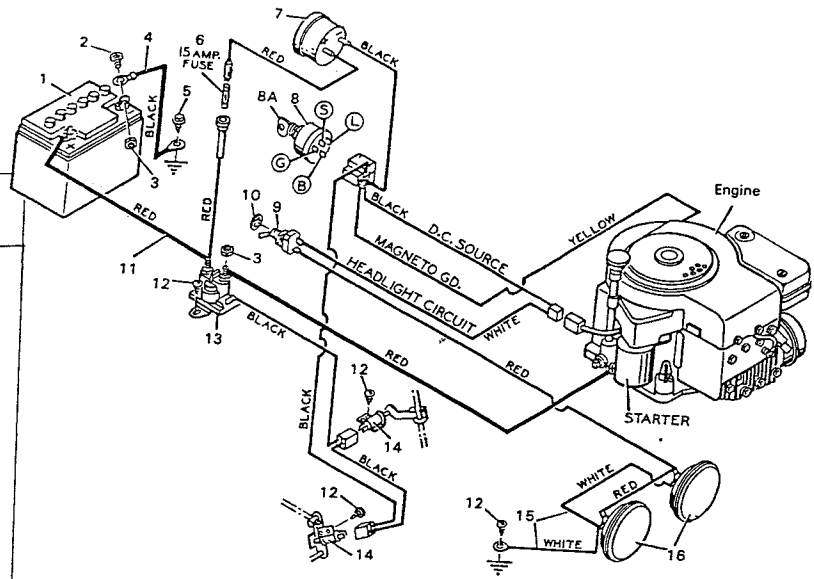
| KEY NO. | PART NO. | DESCRIPTION  |
|---------|----------|--|
| 1       | 26X185   | Screw  |
| 2       | 90117    | Pulley Cover                                       |
| 3       | 37X27    | Belt - Blade Drive                                 |
| 4       | 23739    | Jackshaft Pulley                                   |
| 5       | 24578    | Jackshaft  |
| 6       | 20062    | Woodruff Key No. 6                                 |
| 7       | 17X53Z   | Washer   |
| 8       | 75336    | Hairpin  |
| 9       | 15X79    | Flange Nut $\frac{5}{16}$ "-18*                    |
| 10      | 90103    | Lifter Bracket*                                    |
| 11      | 15X84    | Flange Locknut $\frac{3}{8}$ "-16                  |
| 12      | 90121Z   | Brake Bar  |
| 13      | 90113Z   | Pivot Lever  |
| 14      | 90115    | Adjusting Nut                                      |
| 15      | 90118    | Idler Pulley                                       |
| 16      | 90114Z   | Control Rod  |
| 17      | 90122Z   | Blade Brake Rod                                    |
| 18      | 26X214   | Screw  |
| 19      | 90123    | Spring Assembly                                    |
| 20      | 9X12     | Shoulder Bolt $\frac{3}{8}$ "-16X $\frac{7}{8}$ "  |
| 21      | 90110Z   | Idler Bracket Assembly                             |
| 22      | 90116    | Spring   |
| 23      | 90108Z   | Link Rod   |
| 24      | 90104    | Rear Hanger Bracket*                               |
| 25      | 30X20    | Cotter Pin   |
| 26      | 90109    | Adjusting Bar                                      |
| 27      | 17X102   | Washer   |
| 28      | 15X88    | Flange Locknut $\frac{5}{16}$ "-18                 |
| 29      | 90120Z   | Belt Guide   |
| 30      | 90101    | Blade Housing                                      |
|         | 407918   | Complete Blade Housing                             |
| 31      | 4X24     | Machine Screw $\frac{1}{4}$ "-20X $\frac{1}{2}$ "  |
| 32      | 21945    | Left Hand Skid*                                    |
| 33      | 15X67    | Locknut $\frac{1}{4}$ "-20*                        |
| 34      | 90106    | Front Hanger                                       |
| 35      | 90133Z   | Hanger Rod   |
| 36      | 20551    | Jackshaft Housing Assembly                         |
| 37      | 90105    | Front Hanger Bracket*                              |
| 38      | 90107Z   | Hanger Rod.  |
| 39      | 21944    | Right Hand Skid*                                   |
| 40      | 2X53     | Carriage Bolt $\frac{5}{16}$ "-18X $\frac{5}{8}$ " |
| 41      | 15X81    | Hex Nut #10-24*                                    |
| 42      | 21154    | Chute Deflector                                    |
| 43      | 28X23    | Push On Cap  |
| 44      | 21198Z   | Deflector Rod                                      |
| 45      | 21187    | Rear Deflector Bracket*                            |
| 46      | 4X21     | Machine Screw #10-24X $\frac{5}{8}$ "              |
| 47      | 21189    | Torsion Spring                                     |
| 48      | 21186    | Front Deflector Bracket*                           |
| 49      | 1X84     | Hex Bolt $\frac{5}{16}$ "-18X1"                    |
| 50      | 20617    | Blade Adapter                                      |
| 51      | 21673Z   | Blade Washer                                       |
| 52      | 20930    | Blade - 36"  |
| 53      | 20663Z   | Washer   |
| 54      | 18X27    | Lockwasher   |
| 56      | 15X72    | Hex Nut - Blade Mount $\frac{1}{2}$ "-20           |
| 57      | 24533Z   | Jackshaft Spacer                                   |
| 58      | 20619    | Guide Screw  |

\*NOTE: These numbers are included in with key no.  
30.

# WIRING DIAGRAM FOR

**MODEL NO. 81-36337**

| KEY NO. | PART NO. | DESCRIPTION                    |
|---------|----------|--------------------------------|
| 1       | 90154    | Battery - 30 AMP HOUR          |
| --      | 90171    | Electrolyte (Battery Acid)     |
| 2       | 1X38     | Hex Bolt 1/4"-20X5/8"          |
| 3       | 15X66    | Keps Nut 1/4"-20               |
| 4       | 24X9     | Battery Cable - Black          |
| 5       | 26X49    | Screw                          |
| 6       | 23752    | Slow-Blowing Fuse              |
| 7       | 21057PA  | Ammeter Assembly               |
| 8       | 21064PA  | Key Switch W/A.C. Term         |
| 8A      | 20729    | Key & Ring-Only                |
| 9       | 20899PA  | Light Switch                   |
| 10      | 19X36    | Shakeproof Washer              |
| 11      | 24X17    | Battery Cable                  |
| 12      | 26X185   | Screw                          |
| 13      | 24285    | Solenoid                       |
| 14      | 24273    | Safety Switch                  |
| 15      | 90156    | Ground Wire - Lighting Harness |
| 16      | 23757    | Sealed Beam Lamp               |
| --      | 90062    | Wiring Harness                 |



F-5344