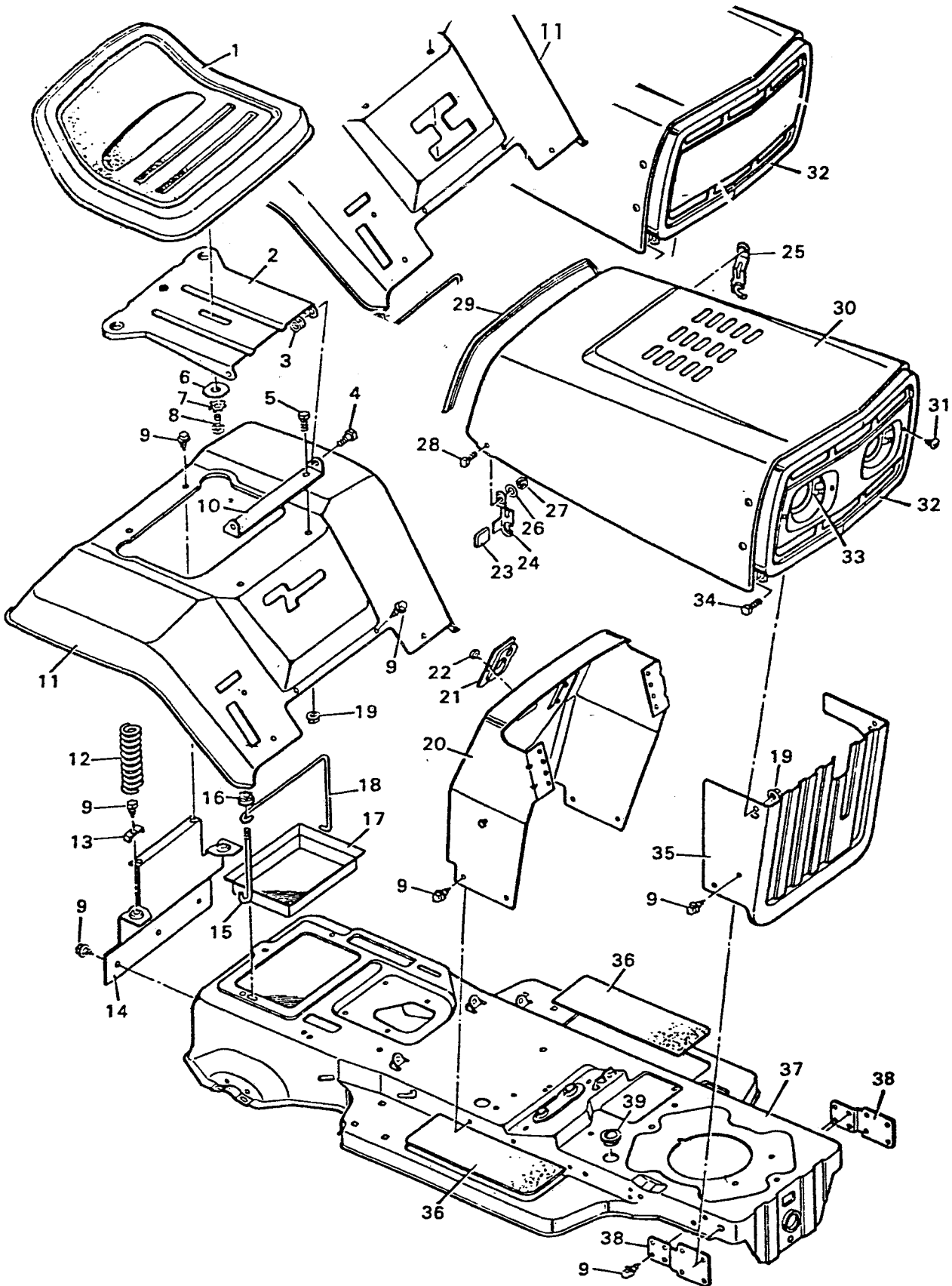


81-30334  
81-36334  
81-36336  
81-36337

**BODY PARTS**



81-30334  
81-36334  
81-36336  
81-36337

**BODY PARTS**

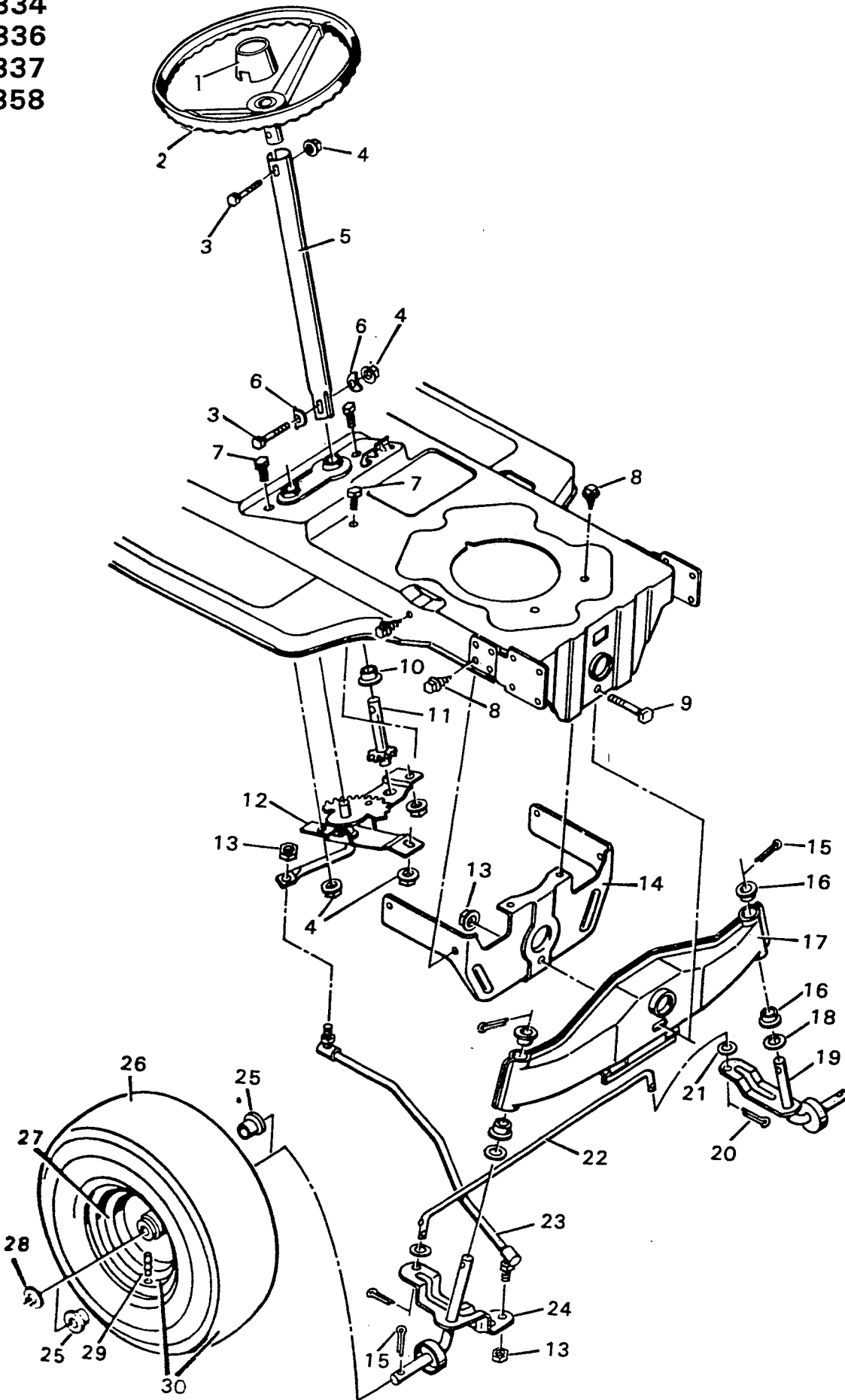
**PARTS LIST**

| KEY NO. | 81-30334 PART NO. | 81-36334 PART NO. | 81-36336 PART NO. | 81-36337 PART NO. | DESCRIPTION                                       |
|---------|-------------------|-------------------|-------------------|-------------------|---|
| 1       | 24621             | 24621             | 24621             | 24621             | Seat Assembly                                     |
| 2       | 90032             | 90032             | 90032             | 90032             | Seat Support                                      |
| 3       | 15X84             | 15X84             | 15X84             | 15X84             | Flange Locknut $\frac{3}{8}$ "-16                 |
| 4       | 9X15              | 9X15              | 9X15              | 9X15              | Shoulder Bolt $\frac{3}{8}$ "-16X $\frac{7}{8}$ " |
| 5       | 1X92              | 1X92              | 1X92              | 1X92              | Hex Bolt $\frac{5}{16}$ "-18X $\frac{1}{2}$ "     |
| 6       | 20663Z            | 20663             | 20663Z            | 20663Z            | Washer  |
| 7       | 19X36             | 19X36             | 19X36             | 19X36             | Shakeproof Washer                                 |
| 8       | 1X88              | 1X88              | 1X88              | 1X88              | Hex Bolt $\frac{1}{2}$ "-13X $\frac{3}{4}$ "      |
| 9       | 26X49             | 26X49             | 26X49             | 26X49             | Screw   |
| 10      | 90031             | 90031             | 90031             | 90031             | Pivot Bracket                                     |
| 11      | 90182             | 90182             | 90064             | 90064             | Seat Deck   |
| 12      | 90054             | 90054             | 90054             | 90054             | Spring  |
| 13      | 90014             | 90014             | 90014             | 90014             | Spring Retainer                                   |
| 14      | 90007             | 90007             | 90007             | 90007             | Seat Deck Support                                 |
| 15      | 90012Z            | 90012Z            | 90012Z            | 90012Z            | Clamp Rod - Battery                               |
| 16      | 15X82Z            | 15X82             | 15X82Z            | 15X82Z            | Flange Hex Nut                                    |
| 17      | 24157             | 24157             | 24157             | 24157             | Battery Tray                                      |
| 18      | 90021Z            | 90158Z            | 90158Z            | 90158Z            | Battery Hold-Down Wire                            |
| 19      | 15X88             | 15X88             | 15X88             | 15X88             | Flange Locknut $\frac{5}{16}$ "-18                |
| 20      | 90198             | 90166             | 90166             | 90166             | Dashboard Assembly                                |
| 21      | 90081             | 90081             | 90081             | 90081             | Bearing - Steering Post                           |
| 22      | 26X186            | 26X186            | 26X186            | 26X186            | Screw   |
| 23      | 21434             | 21434             | 21434             | 21434             | Grip - Hood Latch*                                |
| 24      | 90146Z            | 90146Z            | 90146Z            | 90146Z            | Hood Latch - R.H.*                                |
| 25      | 90147Z            | 90147Z            | 90147Z            | 90147Z            | Hood Latch - L.H.*                                |
| 26      | 17X17Z            | 17X17Z            | 17X17Z            | 17X17Z            | Washer*   |
| 27      | 15X81             | 15X81             | 15X81             | 15X81             | Hex Nut #10-24*                                   |
| 28      | 4X10Z             | 4X20Z             | 4X20Z             | 4X20Z             | Machine Screw #10-24X $\frac{1}{2}$ "*            |
| 29      | 21765             | 21765             | 21765             | 21765             | Edge Trim*  |
| 30      | 90168             | 90168             | 90168             | 90168             | Hood Assembly - Complete                          |
| 31      | 26X159            | 15X159            | 26X159            | 26X159            | Tapping Screw                                     |
| 32      | 21712C            | 21706C            | 21706C            | 21706C            | Upper Grille Assembly                             |
| 33      | -----             | 21720E            | 21720E            | 21720E            | Headlight Retainer                                |
| 34      | 1X45              | 1X45              | 1X45              | 1X45              | Hex Bolt $\frac{5}{16}$ "-18X $\frac{5}{8}$ "     |
| 35      | 90141             | 90141             | 90141             | 90141             | Lower Grille                                      |
| 36      | 90148             | 90148             | 90148             | 90148             | Mat - Foot Rest                                   |
| 37      | 90000             | 90000             | 90000             | 90001             | Frame Channel                                     |
| 38      | 90143             | 90143             | 90143             | 90143             | Grille Bracket                                    |
| 39      | 21268             | 21268             | 21268             | 21268             | Grommet   |
|         | 90128             | 90128             | 90128             | 90128             | Parts Bag Assembly                                |
|         | F-5542            | F-5317            | F-5179            | F-5179            | Owner's Manual                                    |
|         | F-5543            | F-5307            | F-5306            | F-5414            | Parts List  |

\*NOTE: These numbers are included in with key no. 30.

81-30334  
81-36334  
81-36336  
81-36337  
81-36358

STEERING PARTS



**STEERING PARTS**

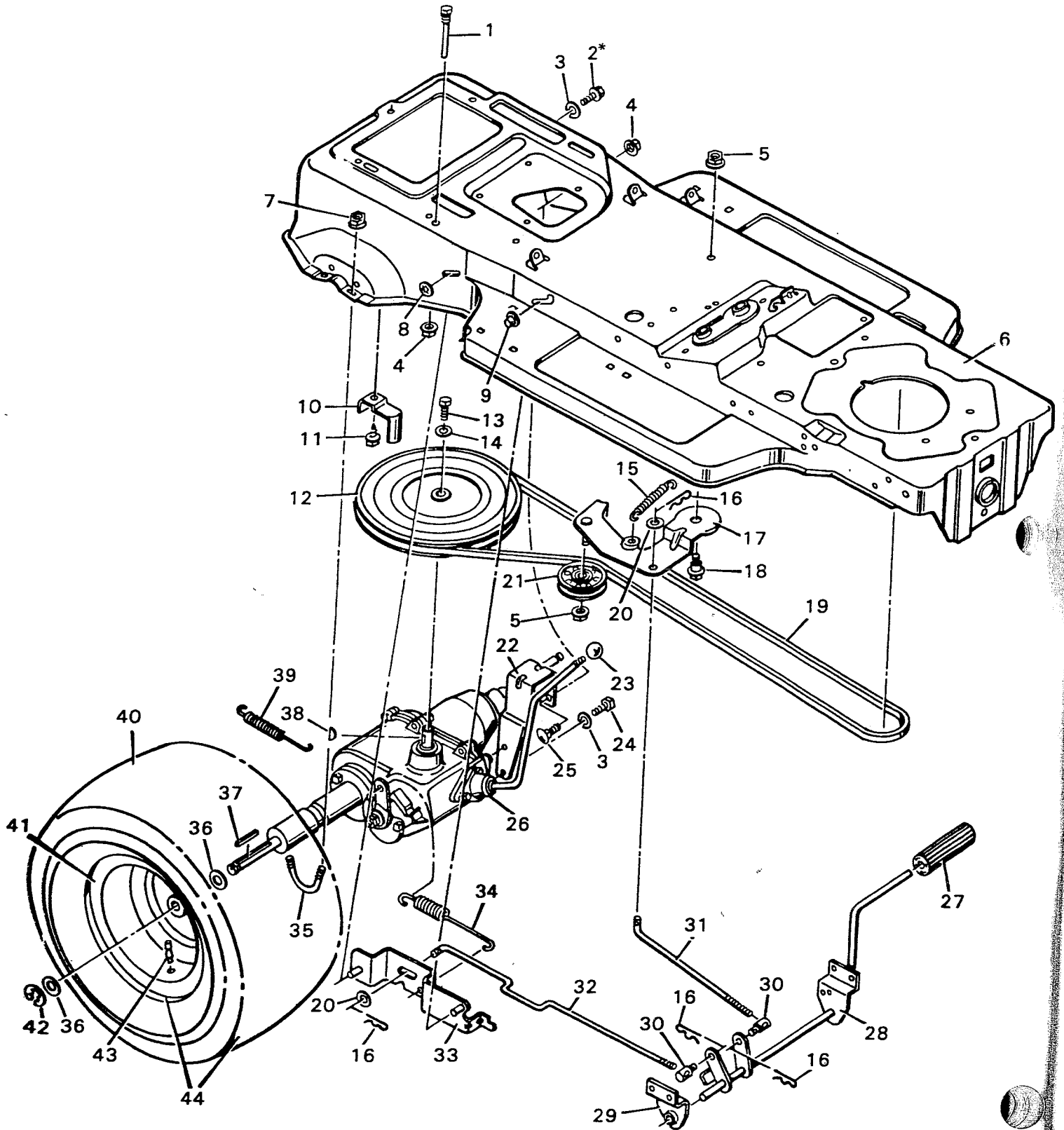
81-30334  
 81-36334  
 81-36336  
 81-36337  
 81-36358

| KEY<br>NO. | 81-36336             | 81-30334 | DESCRIPTION                                    |
|------------|----------------------|----------|--|
|            | 81-36337<br>81-36358 | 81-36334 |  |
| 1          | 23573                | 23573    | Steering Wheel Cap                             |
| 2          | 90126                | 90126    | Steering Wheel                                 |
| 3          | 1X102                | 1X102    | Hex Bolt $\frac{5}{16}$ "-18X1 $\frac{1}{2}$ " |
| 4          | 15X88                | 15X88    | Flange Locknut $\frac{5}{16}$ "-18             |
| 5          | 90130C               | 90130C   | Steering Post                                  |
| 6          | 17X132               | 17X132   | Cup Washer                                     |
| 7          | 1X45                 | 1X45     | Hex Bolt $\frac{5}{16}$ "-18X $\frac{5}{8}$ "  |
| 8          | 26X49                | 26X49    | Screw  |
| 9          | 1X101                | 1X101    | Hex Bolt $\frac{3}{8}$ "-24X3 $\frac{1}{4}$ "  |
| 10         | 90096                | 90096    | Bearing  |
| 11         | 90132                | 90132    | Pinion Gear & Shaft                            |
| 12         | 90025                | 90025    | Sector Gear Assembly                           |
| 13         | 15X87                | 15X87    | Flange Locknut $\frac{3}{8}$ "-24              |
| 14         | 90002                | 90002    | Axle Support - Front                           |
| 15         | 30X49                | 30X49    | Cotter Pin                                     |
| 16         | 90035                | 90035    | Bearing  |
| 17         | 90034                | 90034    | Axle Assembly                                  |
| 18         | 17X113               | 17X113   | Washer   |
| 19         | 90037                | 90139    | Left Handle Spindle Assembly                   |
| 20         | 30X20                | 30X20    | Cotter Pin                                     |
| 21         | 17X57                | 17X57    | Washer   |
| 22         | 90038                | 90038    | Tie Rod  |
| 23         | 90041                | 90041    | Drag Link Assembly                             |
| 24         | 90036                | 90038    | Right Handle Spindle Assembly                  |
| 25         | 24367                | 24367    | Bearing*                                       |
| 26         | 407906               | 407907   | Tire Only*                                     |
| 27         | 407905               | 407909   | Wheel Only*                                    |
| 28         | 17X83Z               | 17X83Z   | Washer   |
| 29         | 24373                | 24373    | Valve Stem & Cap*                              |
| 30         | 24378                | 90218    | Wheel Assembly                                 |

NOTE: Some manuals show 407907 as a valve stem and cap. This is a typographical error - all valve stems and caps should be 24373.

MODEL NO. 81-36336  
81-36337

DRIVE PARTS



\*Item 2 requires a TORX or equivalent socket for service requirements.

MODEL NO. 81-36336  
81-36337

DRIVE PARTS

## PARTS LIST

| KEY |          | 81-36337 | DESCRIPTION  |
|-----|----------|----------|--|
| NO. | 81-36336 |          |  |
| 1   | 20619    | 20619    | Guide Bolt   |
| 2   | 6X70     | 6X70     | Torx Flange Head Screw $\frac{5}{16}$ "-18X1"      |
| 3   | 18X15    | 18X15    | Lockwasher   |
| 4   | 15X79    | 15X79    | Flange Nut $\frac{5}{16}$ "-18                     |
| 5   | 15X84    | 15X84    | Flange Locknut $\frac{3}{8}$ "-18                  |
| 6   | 90000    | 90001    | Frame Channel                                      |
| 7   | 15X88    | 15X88    | Flange Locknut $\frac{5}{16}$ "-18                 |
| 8   | 28X44    | 28X44    | Push Nut   |
| 9   | 90145    | 90145    | Cap Retainer                                       |
| 10  | 90008    | 90008    | Belt Guide   |
| 11  | 26X49    | 26X49    | Screw  |
| 12  | 21447    | 21447    | Pulley   |
| 13  | 1X38Z    | 1X38Z    | Hex Bolt $\frac{1}{4}$ "-20X $\frac{5}{8}$ "       |
| 14  | 18X30    | 18X30    | Spring Lockwasher                                  |
| 15  | 90071    | 90071    | Extension Spring                                   |
| 16  | 20692    | 20692    | Hairpin  |
| 17  | 90011Z   | 90011Z   | Idler Bracket Assembly                             |
| 18  | 9X12     | 9X12     | Shoulder Bolt $\frac{3}{8}$ "-16X $\frac{7}{8}$ "  |
| 19  | 37X31    | 37X31    | Drive Belt   |
| 20  | 17X53Z   | 17X53Z   | Washer   |
| 21  | 21409    | 21409    | Idler Pulley                                       |
| 22  | 90074Z   | 90074Z   | Transaxle Support                                  |
| 23  | 20844    | 20844    | Knob - Shift Lever                                 |
| 24  | 1X84     | 1X84     | Hex Bolt $\frac{5}{16}$ "-18X1"                    |
| 25  | 2X53Z    | 2X53Z    | Carriage Bolt $\frac{5}{16}$ "-18X $\frac{5}{8}$ " |
| 26  | 90072    | 90072    | Transaxle †  |
| 27  | 21544    | 21544    | Clutch and Brake Pedal                             |
| 28  | 90027    | 90027    | Lever Assembly                                     |
| 29  | 90013    | 90013    | Support Bracket                                    |
| 30  | 21920    | 21920    | Adjusting Nut                                      |
| 31  | 90066Z   | 90066Z   | Clutch Rod   |
| 32  | 90067Z   | 90067Z   | Brake Rod  |
| 33  | 90068Z   | 90068Z   | Brake Link Assembly                                |
| 34  | 90170    | 90170    | Brake Spring                                       |
| 35  | 90017Z   | 90017Z   | U-Bolt   |
| 36  | 21521    | 21521    | Transaxle Washer                                   |
| 37  | 21553    | 21553    | Square Key $\frac{3}{16}$ "X2"                     |
| 38  | 21539    | 21539    | Woodruff Key No. 61                                |
| 39  | 90142    | 90142    | Spring   |
| 40  | 403007   | 407903   | Tire Only**  |
| 41  | 403004   | 407902   | Wheel Only*  |
| 42  | 11X3     | 11X3     | E-Ring   |
| 43  | 24373    | 24373    | Valve Stem and Cap*                                |
| 44  | 21648    | 24377    | Wheel and Tire Assembly**                          |

\*NOTE: These numbers are included in key no. 44.

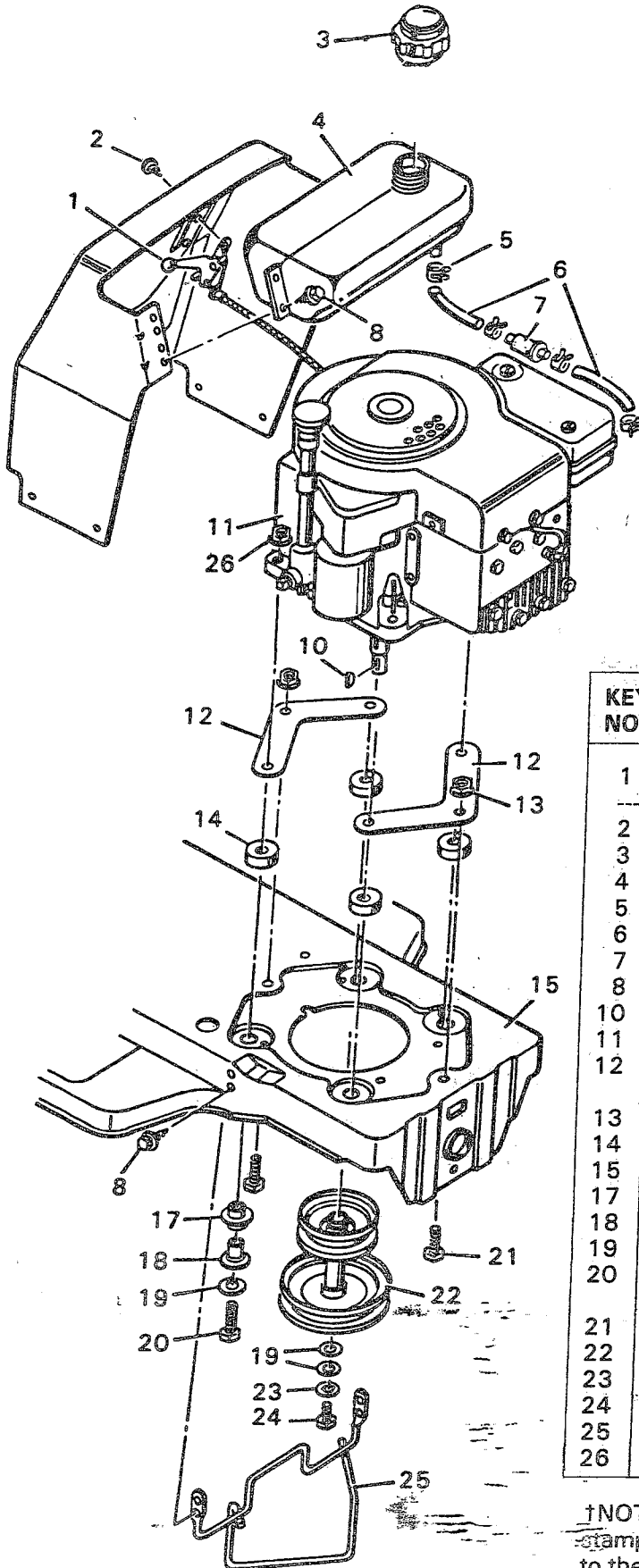
†NOTE: All parts pertaining to this transmission are available from Tecumseh Parts and Service Centers listed in the yellow pages of the telephone directory under "Engines, Gasoline" or "Gasoline Engines".

\*\*Order by Part Number and Brand Name, Example:  
24377 Armstrong Wheel Assembly  
24375 Armstrong Tire Only

Complete Transaxle, page 108, 109.

MODEL NO. 81-30334  
81-36334  
81-36336

ENGINE MOUNT

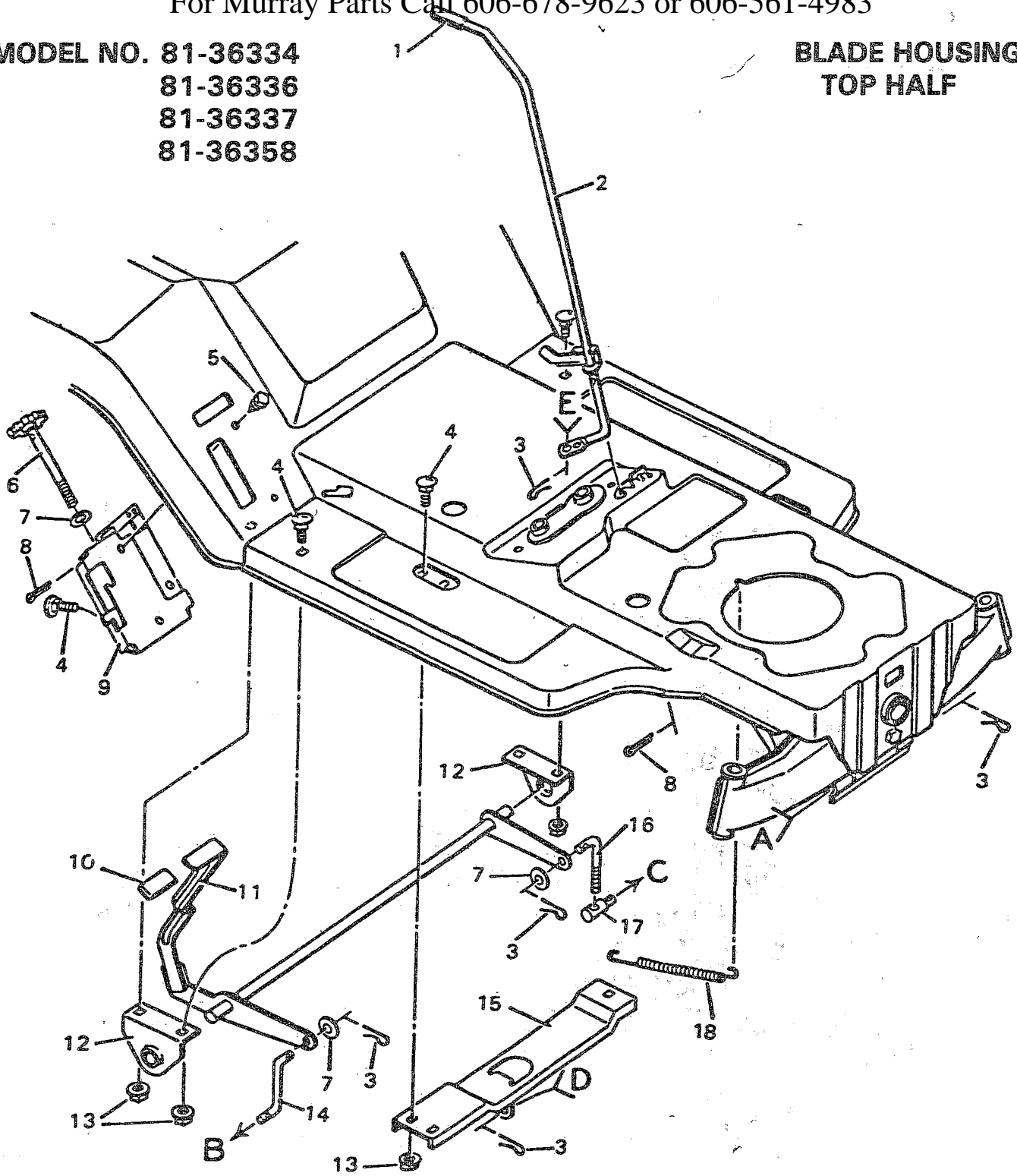


| KEY NO. | 81-30334 | 81-36334<br>81-36336 | DESCRIPTION                                |
|---------|----------|----------------------|--|
| 1       | 90095    | 90095                | Throttle Control & Cable                   |
| ---     | 20339    | 20339                | Knob - Throttle Control                    |
| 2       | 26X159   | 26X159               | Tapping Screw                              |
| 3       | 23711    | 23711                | Gas Cap                                    |
| 4       | 23300    | 23300                | Gas Tank                                   |
| 5       | 23713    | 23713                | Hose Clamp                                 |
| 6       | 23715    | 23715                | Fuel Line                                  |
| 7       | 24159    | 24159                | Filter                                     |
| 8       | 26X214   | 26X214               | Tapping Screw                              |
| 10      | 20062    | 20062                | Woodruff Key No. 6                         |
| 11      | -----    | -----                | Engine †                                   |
| 12      | 90023Z   | 90023Z               | Strap                                      |
| 13      | 15X88    | 15X88                | Flange Locknut 5/16"-18                    |
| 14      | 24589    | 24589                | Rubber Load Mount                          |
| 15      | 90000    | 90000                | Frame Channel                              |
| 17      | 24590    | 24590                | Rubber Rebound Mount                       |
| 18      | 24591    | 24591                | Spacer Tube                                |
| 19      | 10851Z   | 10851Z               | Washer                                     |
| 20      | 1X107    | 1X107                | Hex Bolt - Engine Mount<br>5/16"-24X2 1/2" |
| 21      | 1X45     | 1X45                 | Hex Bolt 5/16"-18X5/8"                     |
| 22      | 90005Z   | 90005Z               | Stack Pulley Assembly                      |
| 23      | 19X39    | 19X39                | Shakeproof Washer                          |
| 24      | 1X20     | 1X20                 | Hex Bolt 3/8"-24X1"                        |
| 25      | 90276Z   | 90075Z               | Belt Guide Assembly                        |
| 26      | 15X90    | 15X90                | Flange Locknut 5/8"-24                     |

†NOTE: Your Engine Model, Type & Code Number is stamped on the Blower Housing. All parts pertaining to the engine are available from the Briggs and Stratton parts and Service Station listed in the yellow pages of the classified Telephone Directory.

MODEL NO. 81-36334  
 81-36336  
 81-36337  
 81-36358

**BLADE HOUSING  
 TOP HALF**



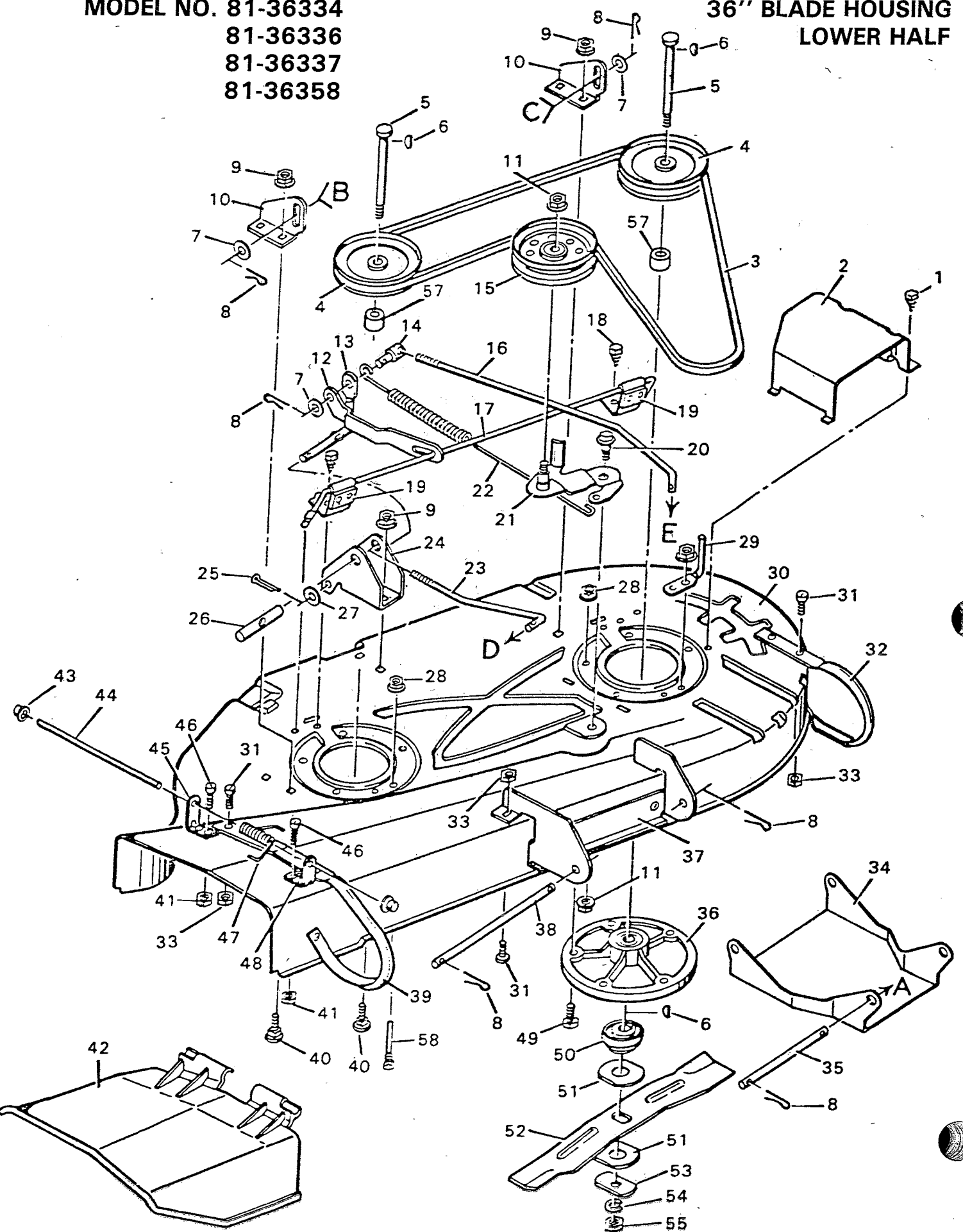
**PARTS LIST**

| KEY NO. | PART NO. | DESCRIPTION                  | KEY NO. | PART NO. | DESCRIPTION     |
|---------|----------|------------------------------|---------|----------|-----------------|
| 1       | 20476    | Grip                         | 10      | 23340    | Grip            |
| 2       | 90030Z   | Control Lever Assembly       | 11      | 90043    | Lifter Assembly |
| 3       | 75336    | Hair Pin                     | 12      | 90042    | Hanger Bracket  |
| 4       | 2X53     | Carriage Bolt                | 13      | 15X79    | Hex Flange Nut  |
| 5       | 26X49    | Screw                        | 14      | 90099Z   | Lifter Rod      |
| 6       | 90078Z   | Adjusting Screw Assembly     | 15      | 90028    | Support Channel |
| 7       | 17X53Z   | Washer                       | 16      | 90100Z   | Adjusting Rod   |
| 8       | 30X20    | Cotter Pin                   | 17      | 21920    | Adjusting Nut   |
| 9       | 404063   | Height Adjust Brkt. Assembly | 18      | 90085    | Spring          |



MODEL NO. 81-36334  
81-36336  
81-36337  
81-36358

36" BLADE HOUSING  
LOWER HALF



MODEL NO. 81-36334

## PARTS LIST

36" BLADE HOUSING  
LOWER HALF

81-36336

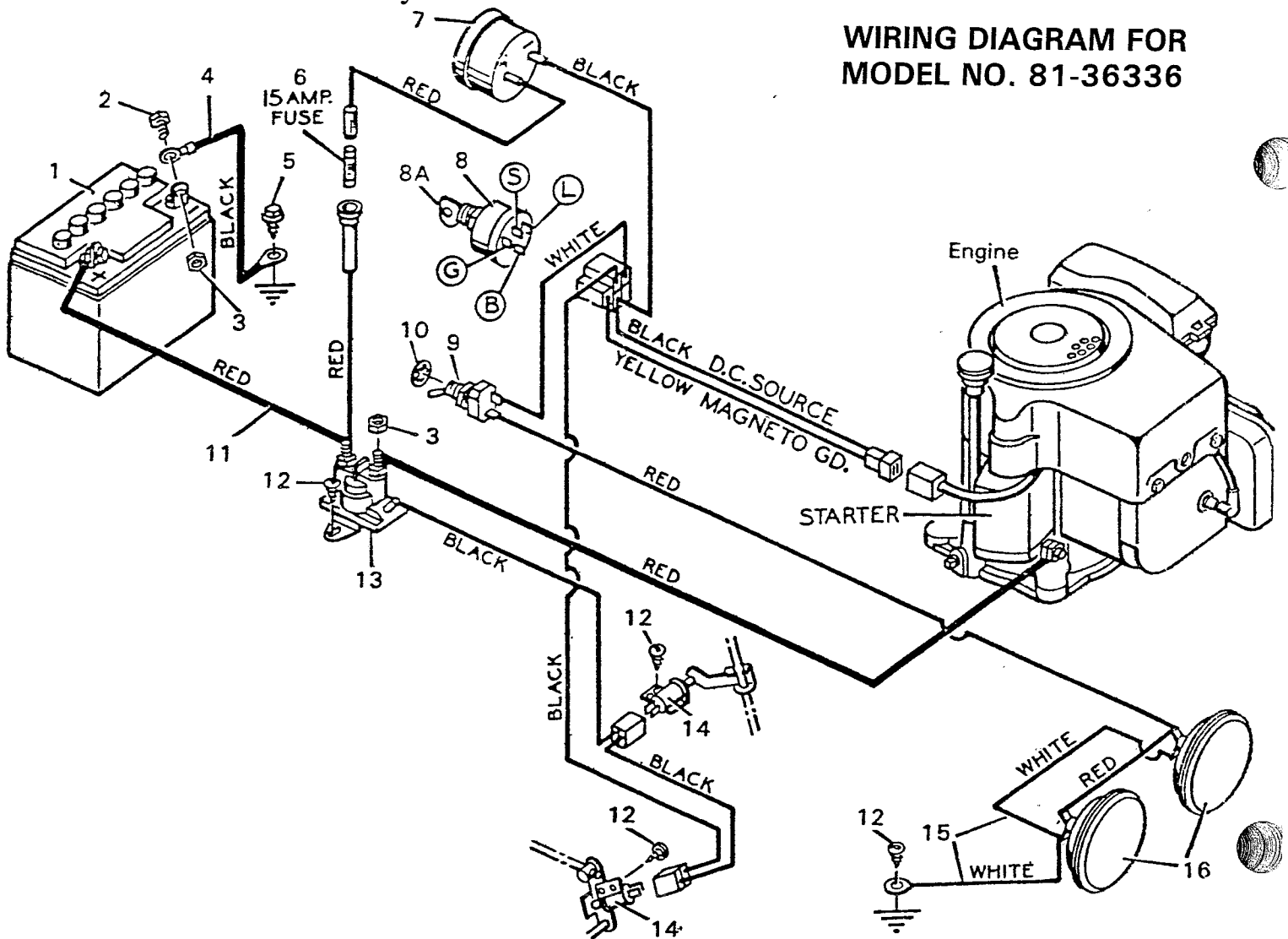
81-36337

81-36358

| KEY NO. | PART NO. | DESCRIPTION  |
|---------|----------|--|
| 1       | 26X185   | Screw  |
| 2       | 90117    | Pulley Cover                                       |
| 3       | 37X27    | Belt - Blade Drive                                 |
| 4       | 23739    | Jackshaft Pulley                                   |
| 5       | 24578    | Jackshaft  |
| 6       | 20062    | Woodruff Key No. 6                                 |
| 7       | 17X53Z   | Washer   |
| 8       | 75336    | Hairpin  |
| 9       | 15X79    | Flange Nut $\frac{5}{16}$ "-18*                    |
| 10      | 90103    | Lifter Bracket*                                    |
| 11      | 15X84    | Flange Locknut $\frac{3}{8}$ "-16                  |
| 12      | 90121Z   | Brake Bar  |
| 13      | 90113Z   | Pivot Lever  |
| 14      | 90115    | Adjusting Nut                                      |
| 15      | 90118    | Idler Pulley                                       |
| 16      | 90114Z   | Control Rod  |
| 17      | 90122Z   | Blade Brake Rod                                    |
| 18      | 26X214   | Screw  |
| 19      | 90123    | Spring Assembly                                    |
| 20      | 9X12     | Shoulder Bolt $\frac{3}{8}$ "-16X $\frac{7}{8}$ "  |
| 21      | 90110Z   | Idler Bracket Assembly                             |
| 22      | 90116    | Spring   |
| 23      | 90108Z   | Link Rod   |
| 24      | 90104    | Rear Hanger Bracket*                               |
| 25      | 30X20    | Cotter Pin   |
| 26      | 90109    | Adjusting Bar                                      |
| 27      | 17X102   | Washer   |
| 28      | 15X88    | Flange Locknut $\frac{5}{16}$ "-18                 |
| 29      | 90120Z   | Belt Guide   |
| 30      | 90101    | Blade Housing                                      |
|         | 407918   | Complete Blade Housing                             |
| 31      | 4X24     | Machine Screw $\frac{1}{4}$ "-20X $\frac{1}{2}$ "  |
| 32      | 21945    | Left Hand Skid*                                    |
| 33      | 15X67    | Locknut $\frac{1}{4}$ "-20*                        |
| 34      | 90106    | Front Hanger                                       |
| 35      | 90133Z   | Hanger Rod   |
| 36      | 20551    | Jackshaft Housing Assembly                         |
| 37      | 90105    | Front Hanger Bracket*                              |
| 38      | 90107Z   | Hanger Rod   |
| 39      | 21944    | Right Hand Skid*                                   |
| 40      | 2X53     | Carriage Bolt $\frac{5}{16}$ "-18X $\frac{5}{8}$ " |
| 41      | 15X81    | Hex Nut #10-24*                                    |
| 42      | 21154    | Chute Deflector                                    |
| 43      | 28X23    | Push On Cap  |
| 44      | 21198Z   | Deflector Rod                                      |
| 45      | 21187    | Rear Deflector Bracket*                            |
| 46      | 4X21     | Machine Screw #10-24X $\frac{5}{8}$ "              |
| 47      | 21189    | Torsion Spring                                     |
| 48      | 21186    | Front Deflector Bracket*                           |
| 49      | 1X84     | Hex Bolt $\frac{5}{16}$ "-18X1"                    |
| 50      | 20617    | Blade Adapter                                      |
| 51      | 21673Z   | Blade Washer                                       |
| 52      | 20930    | Blade - 36"  |
| 53      | 20663Z   | Washer   |
| 54      | 18X27    | Lockwasher   |
| 56      | 15X72    | Hex Nut - Blade Mount $\frac{1}{2}$ "-20           |
| 57      | 24533Z   | Jackshaft Spacer                                   |
| 58      | 20619    | Guide Screw  |

\*NOTE: These numbers are included in with key no.  
30.

**WIRING DIAGRAM FOR  
MODEL NO. 81-36336**



**PARTS LIST**

| KEY NO. | DESCRIPTION                    | PART NO. |
|---------|--------------------------------|----------|
| 1       | Battery - 30 AMP HOUR          | 90154    |
| --      | Electrolyte (Battery Acid)     | 90171    |
| 2       | Hex Bolt 1/4"-20X5/8"          | 1X38Z    |
| 3       | Keps Nut 1/4"-20               | 15X66    |
| 4       | Battery Cable - Black          | 24X9     |
| 5       | Screw                          | 26X49    |
| 6       | Slow-Blowing Fuse              | 23752    |
| 7       | Ammeter Assembly               | 21057PA  |
| 8       | Key Switch W/AC Terminal       | 21064PA  |
| 8A      | Key & Ring-Only                | 20729    |
| 9       | Light Switch                   | 20899PA  |
| 10      | Shakeproof Washer              | 19X36    |
| 11      | Battery Cable                  | 24X17    |
| 12      | Screw                          | 26X185   |
| 13      | Solenoid                       | 24285    |
| 14      | Safety Switch                  | 24273    |
| 15      | Ground Wire - Lighting Harness | 90156    |
| 16      | Sealed Beam Lamp               | 23757    |
| --      | Wiring Harness                 | 90063    |