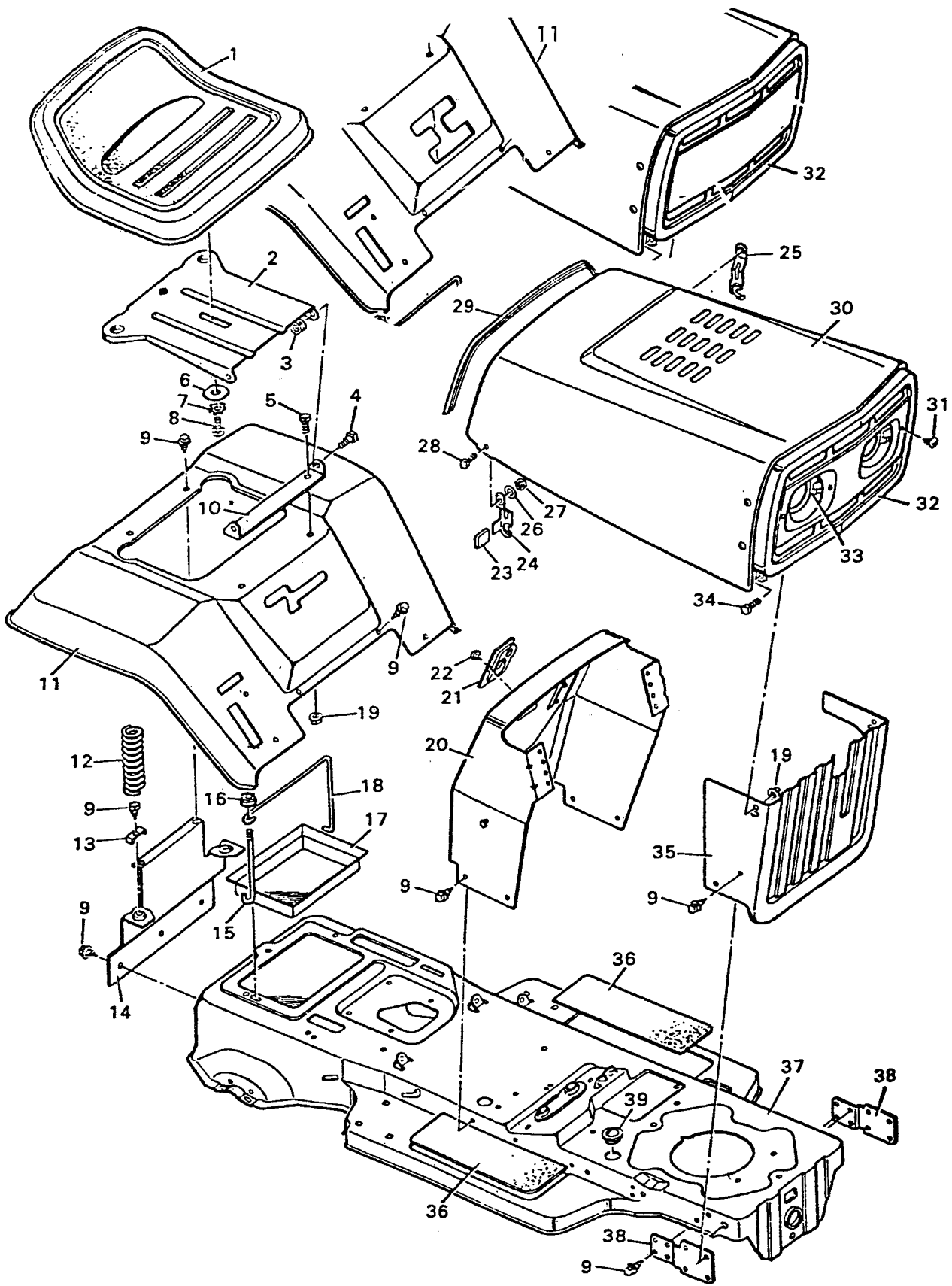


81-30334  
81-36334  
81-36336  
81-36337

BODY PARTS



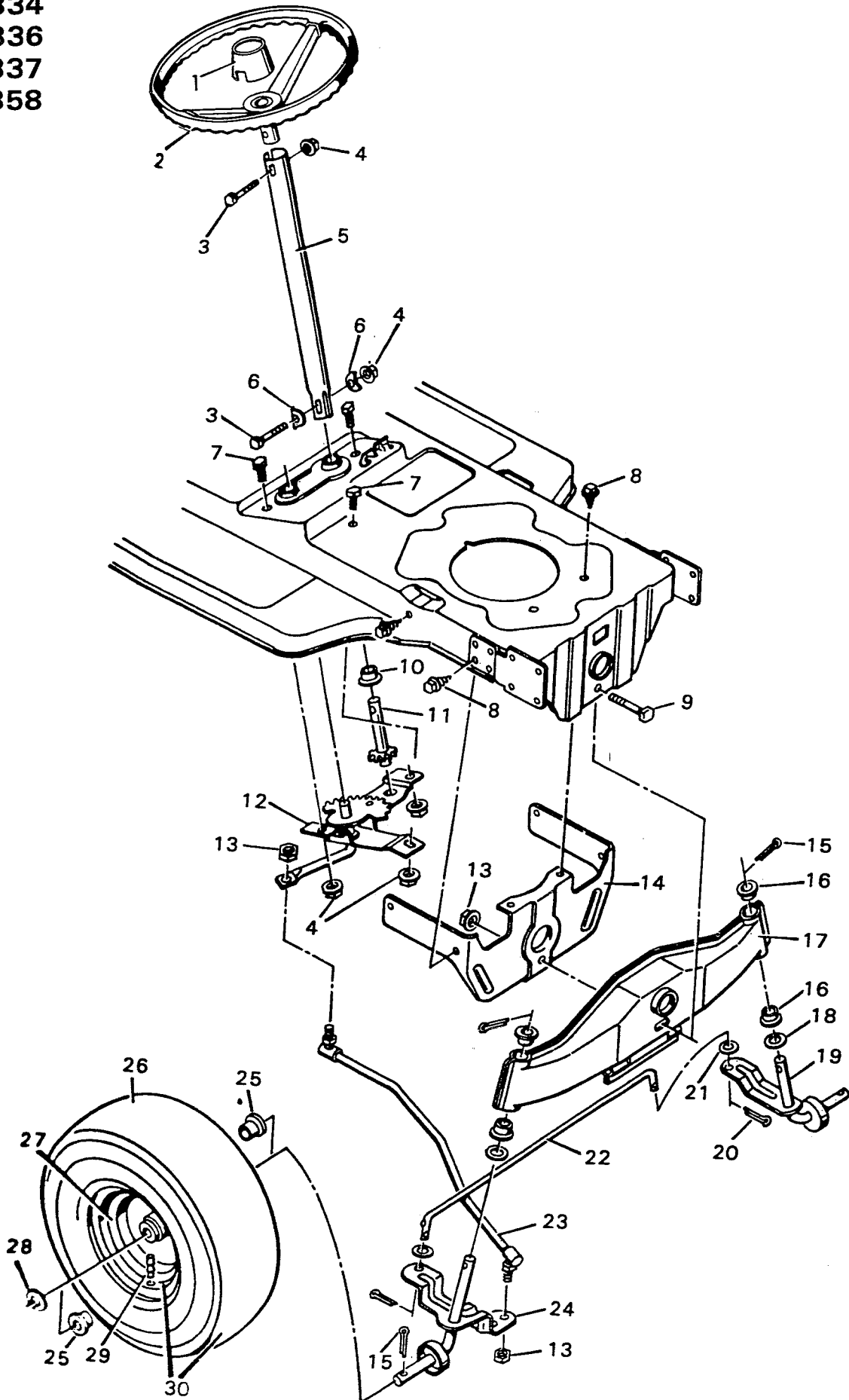
81-30334  
81-36334  
81-36336  
81-36337

## PARTS LIST

KEY NO.	81-30334 PART NO.	81-36334 PART NO.	81-36336 PART NO.	81-36337 PART NO.	DESCRIPTION
1	24621	24621	24621	24621	Seat Assembly
2	90032	90032	90032	90032	Seat Support
3	15X84	15X84	15X84	15X84	Flange Locknut $\frac{3}{8}$ "-16
4	9X15	9X15	9X15	9X15	Shoulder Bolt $\frac{3}{8}$ "-16X $\frac{7}{8}$ "
5	1X92	1X92	1X92	1X92	Hex Bolt $\frac{5}{16}$ "-18X $\frac{1}{2}$ "
6	20663Z	20663	20663Z	20663Z	Washer
7	19X36	19X36	19X36	19X36	Shakeproof Washer
8	1X88	1X88	1X88	1X88	Hex Bolt $\frac{1}{2}$ "-13X $\frac{3}{4}$ "
9	26X49	26X49	26X49	26X49	Screw
10	90031	90031	90031	90031	Pivot Bracket
11	90182	90182	90064	90064	Seat Deck
12	90054	90054	90054	90054	Spring
13	90014	90014	90014	90014	Spring Retainer
14	90007	90007	90007	90007	Seat Deck Support
15	90012Z	90012Z	90012Z	90012Z	Clamp Rod - Battery
16	15X82Z	15X82	15X82Z	15X82Z	Flange Hex Nut
17	24157	24157	24157	24157	Battery Tray
18	90021Z	90158Z	90158Z	90158Z	Battery Hold-Down Wire
19	15X88	15X88	15X88	15X88	Flange Locknut $\frac{5}{16}$ "-18
20	90198	90166	90166	90166	Dashboard Assembly
21	90081	90081	90081	90081	Bearing - Steering Post
22	26X186	26X186	26X186	26X186	Screw
23	21434	21434	21434	21434	Grip - Hood Latch*
24	90146Z	90146Z	90146Z	90146Z	Hood Latch - R.H.*
25	90147Z	90147Z	90147Z	90147Z	Hood Latch - L.H.*
26	17X17Z	17X17Z	17X17Z	17X17Z	Washer*
27	15X81	15X81	15X81	15X81	Hex Nut #10-24*
28	4X10Z	4X20Z	4X20Z	4X20Z	Machine Screw #10-24X $\frac{1}{2}$ "*
29	21765	21765	21765	21765	Edge Trim*
30	90168	90168	90168	90168	Hood Assembly - Complete
31	26X159	15X159	26X159	26X159	Tapping Screw
32	21712C	21706C	21706C	21706C	Upper Grille Assembly
33	-----	21720E	21720E	21720E	Headlight Retainer
34	1X45	1X45	1X45	1X45	Hex Bolt $\frac{5}{16}$ "-18X $\frac{5}{8}$ "
35	90141	90141	90141	90141	Lower Grille
36	90148	90148	90148	90148	Mat - Foot Rest
37	90000	90000	90000	90001	Frame Channel
38	90143	90143	90143	90143	Grille Bracket
39	21268	21268	21268	21268	Grommet
	90128	90128	90128	90128	Parts Bag Assembly
	F-5542	F-5317	F-5179	F-5179	Owner's Manual
	F-5543	F-5307	F-5306	F-5414	Parts List

\*NOTE: These numbers are included in with key no. 30.

- 81-30334
- 81-36334
- 81-36336
- 81-36337
- 81-36358



## STEERING PARTS

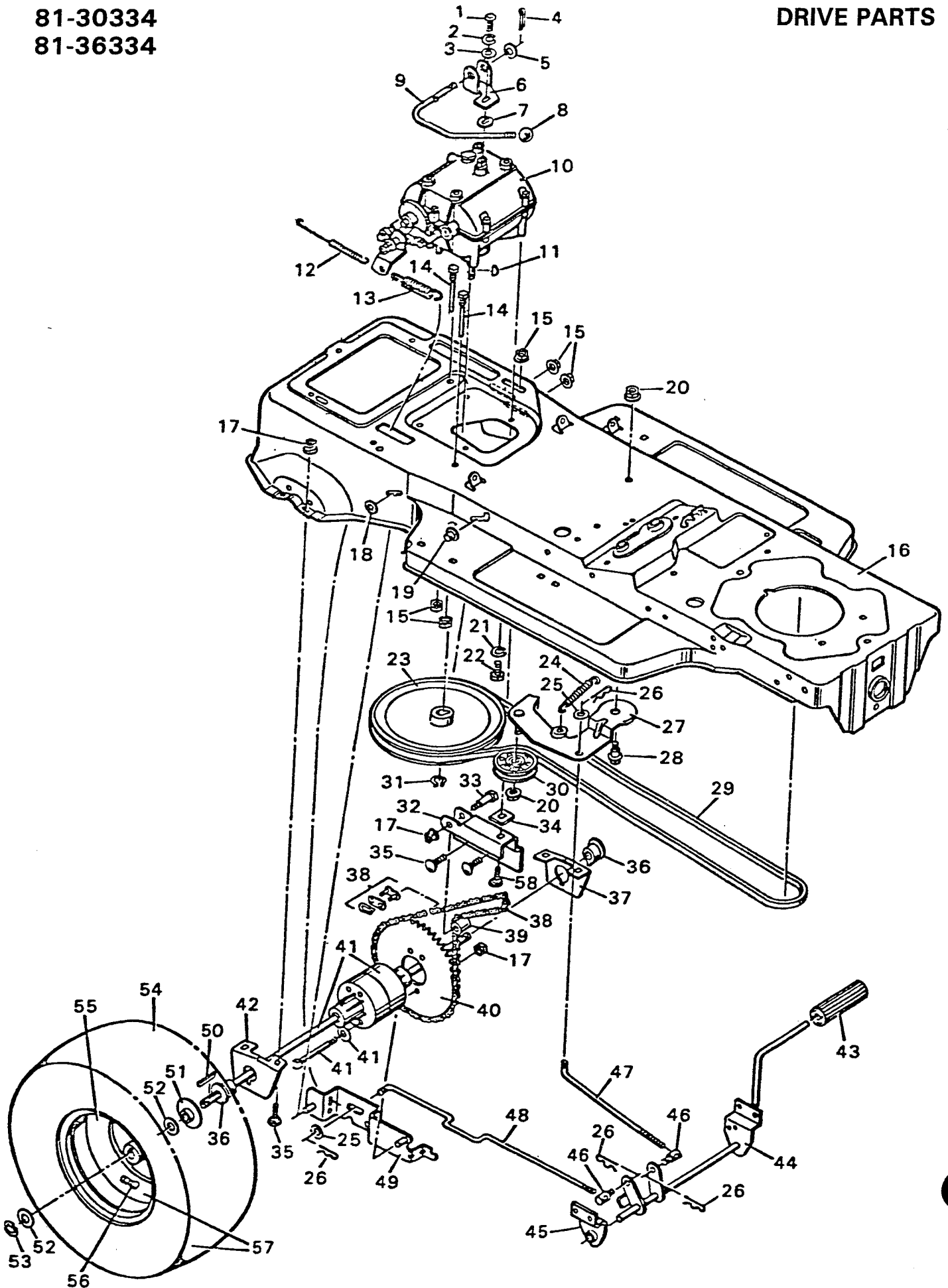
81-30334  
81-36334  
81-36336  
81-36337  
81-36358

KEY NO.	81-36336	81-30334	DESCRIPTION
	81-36337	81-36334	
	81-36358	81-36334	
1	23573	23573	Steering Wheel Cap
2	90126	90126	Steering Wheel
3	1X102	1X102	Hex Bolt $\frac{5}{16}$ "-18X $\frac{1}{2}$ "
4	15X88	15X88	Flange Locknut $\frac{5}{16}$ "-18
5	90130C	90130C	Steering Post
6	17X132	17X132	Cup Washer
7	1X45	1X45	Hex Bolt $\frac{5}{16}$ "-18X $\frac{5}{8}$ "
8	26X49	26X49	Screw
9	1X101	1X101	Hex Bolt $\frac{3}{8}$ "-24X $\frac{3}{4}$ "
10	90096	90096	Bearing
11	90132	90132	Pinion Gear & Shaft
12	90025	90025	Sector Gear Assembly
13	15X87	15X87	Flange Locknut $\frac{3}{8}$ "-24
14	90002	90002	Axle Support - Front
15	30X49	30X49	Cotter Pin
16	90035	90035	Bearing
17	90034	90034	Axle Assembly
18	17X113	17X113	Washer
19	90037	90139	Left Handle Spindle Assembly
20	30X20	30X20	Cotter Pin
21	17X57	17X57	Washer
22	90038	90038	Tie Rod
23	90041	90041	Drag Link Assembly
24	90036	90038	Right Handle Spindle Assembly
25	24367	24367	Bearing*
26	407906	407907	Tire Only*
27	407905	407909	Wheel Only*
28	17X83Z	17X83Z	Washer
29	24373	24373	Valve Stem & Cap*
30	24378	90218	Wheel Assembly

NOTE: Some manuals show 407907 as a valve stem and cap. This is a typographical error - all valve stems and caps should be 24373.

81-30334  
81-36334

DRIVE PARTS



81-30334

## PARTS LIST

DRIVE PARTS

81-36334

KEY NO.	PART NO.	DESCRIPTION	KEY NO.	PART NO.	DESCRIPTION
1	1X82	Hex Bolt ¼"-28X½"	31	11X7	Retainer Ring
2	18X30	Spring Lockwasher	32	90189Z	Chain Idler Bracket
3	17X32	Washer	33	9X22	Shoulder Bolt ⅝"-18X1.72"
4	30X20	Cotter Pin	34	90177Z	Spacer
6	90183Z	Shifter Yoke	35	2X53Z	Carriage Bolt ⅝"-18X⅝"
7	17X131	Washer	36	90225	Axle Bearing
8	20739	Shift Lever Knob	37	90181Z	Bearing Plate - L.H.
9	90191Z	Shift Lever	38	90178	Roller Chain & Link
10	90223	Transmission †	39	90176	Roller
11	20697	Woodruff Key No. 9	40	90188	Sprocket - 50 T
12	90142	Spring	41	90226	Differential
13	21675	Spring	42	90180Z	Bearing Plate - R.H.
14	20619	Guide Screw	43	21544	Clutch and Brake Pedal
15	15X79Z	Flange Locknut ⅝"-18	44	90027	Lever Assembly
16	90000	Frame Channel	45	90013	Support Bracket
17	15X88	Flange Locknut ⅝"-18	46	21920	Adjusting Nut
18	28X44	Push Nut	47	90066Z	Clutch Rod
19	90145	Cap Retainer	48	90067Z	Brake Rod
20	15X84	Flange Nut ⅜"-16	49	90068Z	Brake Link Assembly
21	18X15	Spring Lockwasher	50	21553	Square Key - ⅜"
22	1X91	Hex Bolt ⅝"-18X¾"	51	23041	Extruded Washer
23	90190	Pulley	52	17X113	Transaxle Washer
24	90071	Extension Spring	53	11X3	E-Ring
25	17X53Z	Washer	54	407911	Tire Only*
26	20692	Hairpin	55	24373	Wheel Only*
27	90011Z	Idler Bracket Assembly	56	407901	Valve Stem & Cap*
28	9X12	Shoulder Bolt ⅜"-16X⅞"	57	90193	Rear Wheel - Complete
29	37X27	Drive Belt	58	2X64	Carriage Bolt ⅝"-18X¾"
30	21409	Idler Pulley			

NOTE: All parts pertaining to this transmission are available from Tecumseh Parts and Service Centers listed in the yellow pages of the telephone directory under "Engines, Gasoline" or "Gasoline Engines".

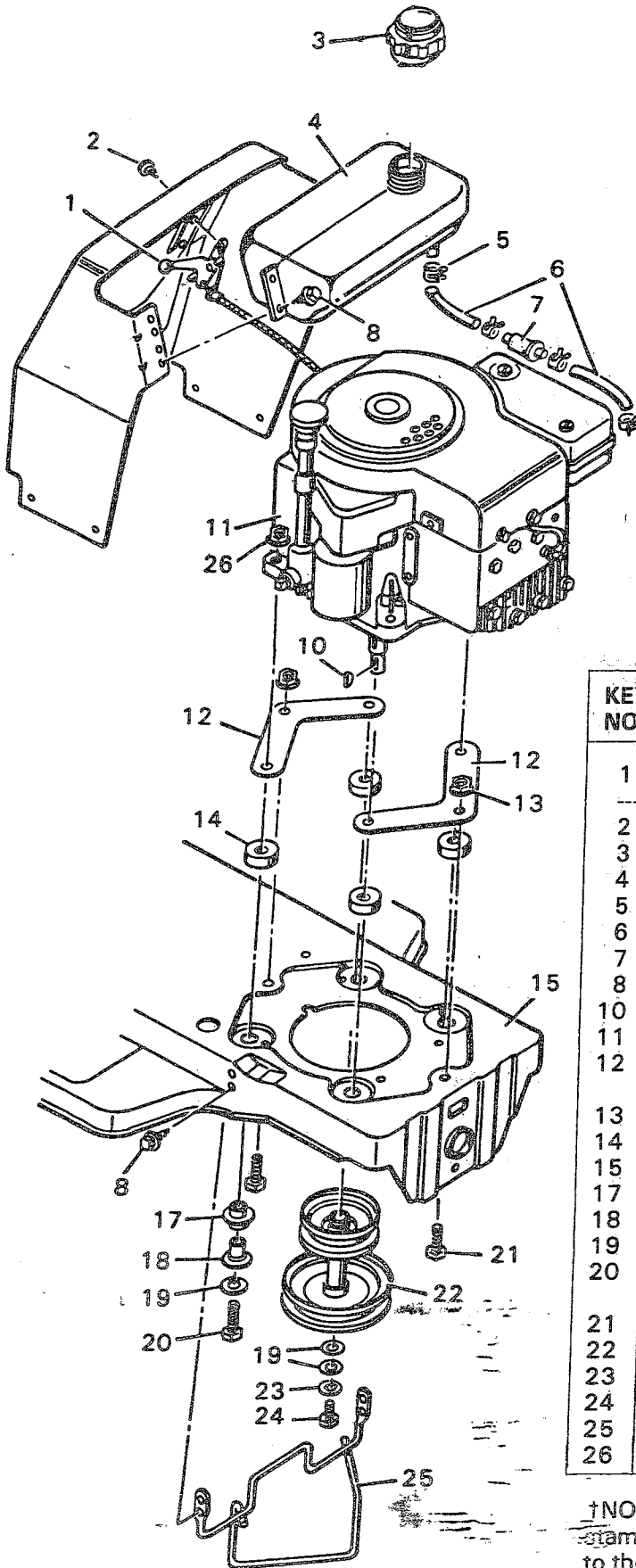
Complete Differential page 96.  
Complete Transmission page 102, 103.

MODEL NO. 81-30334

81-36334

81-36336

ENGINE MOUNT

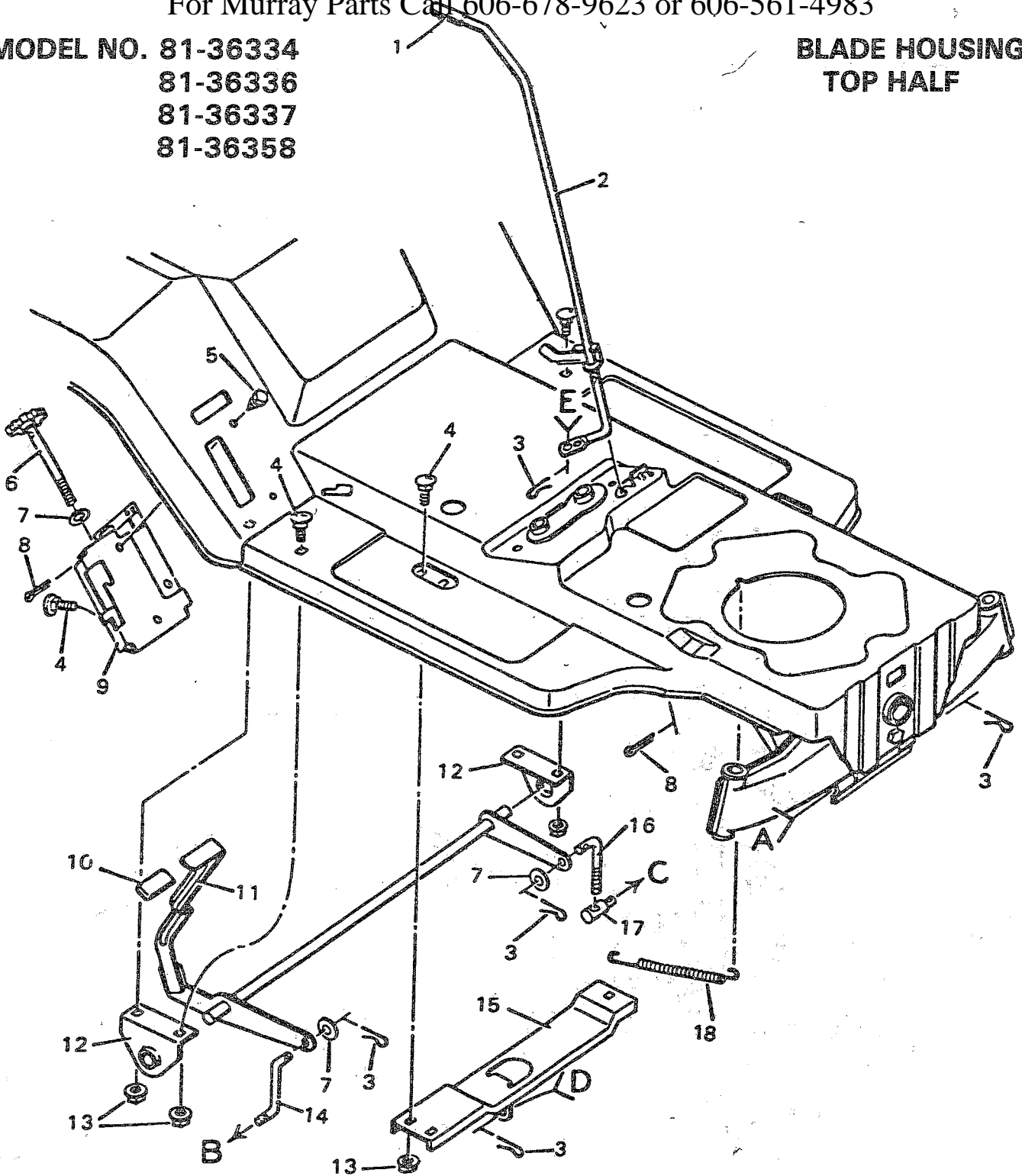


KEY NO.	81-30334	81-36334 81-36336	DESCRIPTION
1	90095	90095	Throttle Control & Cable
2	20339	20339	Knob - Throttle Control
2	26X159	26X159	Tapping Screw
3	23711	23711	Gas Cap
4	23300	23300	Gas Tank
5	23713	23713	Hose Clamp
6	23715	23715	Fuel Line
7	24159	24159	Filter
8	26X214	26X214	Tapping Screw
10	20062	20062	Woodruff Key No. 6
11	-----	-----	Engine †
12	90023Z	90023Z	Strap
13	15X88	15X88	Flange Locknut 5/16"-18
14	24589	24589	Rubber Load Mount
15	90000	90000	Frame Channel
17	24590	24590	Rubber Rebound Mount
18	24591	24591	Spacer Tube
19	10851Z	10851Z	Washer
20	1X107	1X107	Hex Bolt - Engine Mount 5/8"-24X2 1/2"
21	1X45	1X45	Hex Bolt 5/16"-18X5/8"
22	90005Z	90005Z	Stack Pulley Assembly
23	19X39	19X39	Shakeproof Washer
24	1X20	1X20	Hex Bolt 3/8"-24X1"
25	90276Z	90075Z	Belt Guide Assembly
26	15X90	15X90	Flange Locknut 5/8"-24

†NOTE: Your Engine Model, Type & Code Number is stamped on the Blower Housing. All parts pertaining to the engine are available from the Briggs and Stratton parts and Service Station listed in the yellow pages of the classified Telephone Directory.

MODEL NO. 81-36334  
 81-36336  
 81-36337  
 81-36358

**BLADE HOUSING  
 TOP HALF**



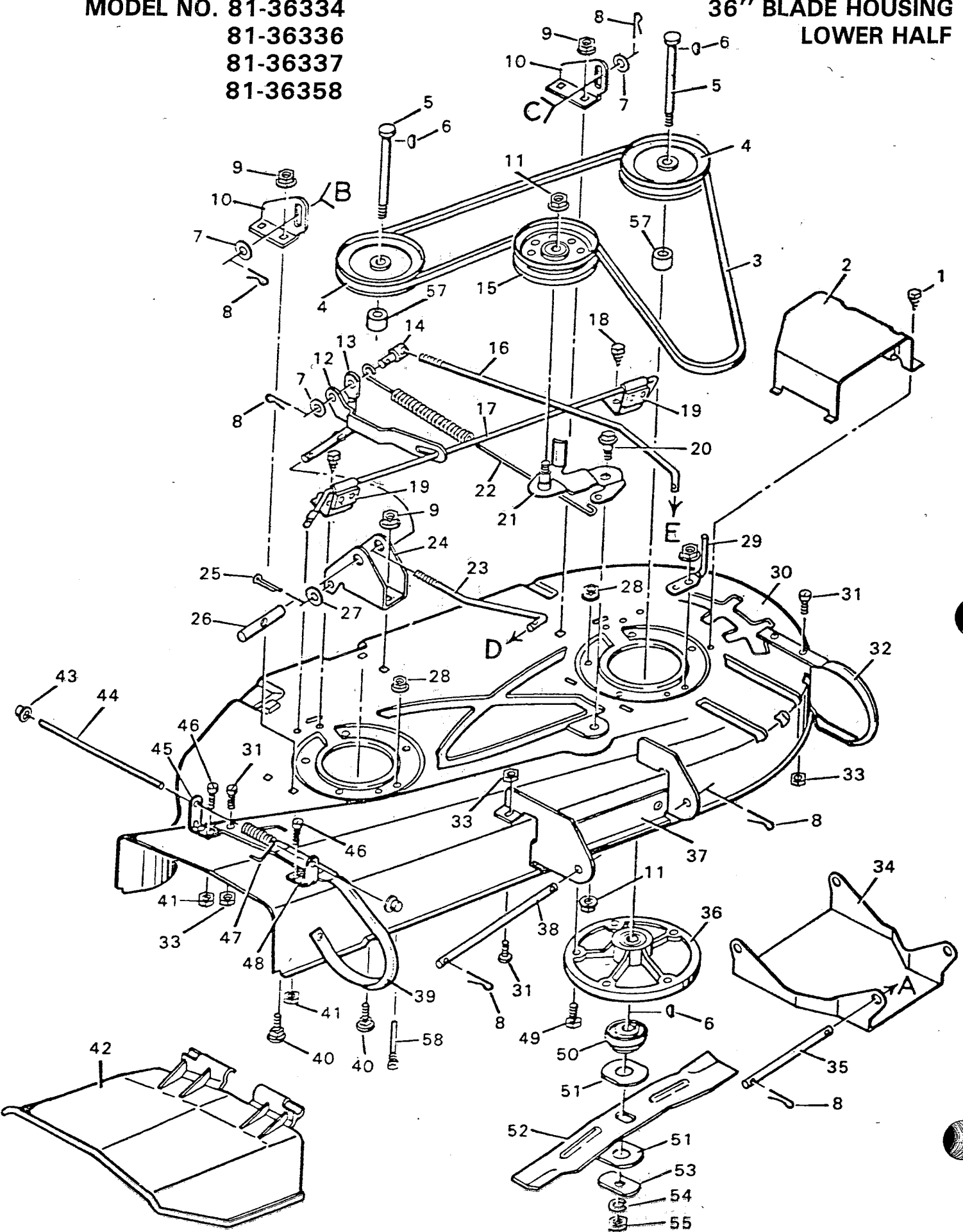
**PARTS LIST**

KEY NO.	PART NO.	DESCRIPTION	KEY NO.	PART NO.	DESCRIPTION
1	20476	Grip	10	23340	Grip
2	90030Z	Control Lever Assembly	11	90043	Lifter Assembly
3	75336	Hair Pin	12	90042	Hanger Bracket
4	2X53	Carriage Bolt	13	15X79	Hex Flange Nut
5	26X49	Screw	14	90099Z	Lifter Rod
6	90078Z	Adjusting Screw Assembly	15	90028	Support Channel
7	17X53Z	Washer	16	90100Z	Adjusting Rod
8	30X20	Cotter Pin	17	21920	Adjusting Nut
9	404063	Height Adjust Brkt. Assembly	18	90085	Spring



MODEL NO. 81-36334  
81-36336  
81-36337  
81-36358

36" BLADE HOUSING  
LOWER HALF



MODEL NO. 81-36334

## PARTS LIST

36" BLADE HOUSING  
LOWER HALF

81-36336

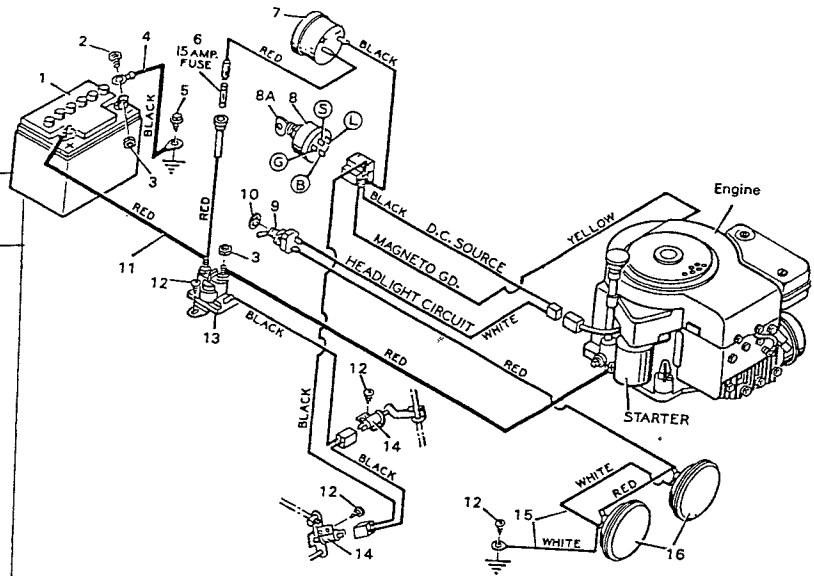
81-36337

81-36358

KEY NO.	PART NO.	DESCRIPTION
1	26X185	Screw
2	90117	Pulley Cover
3	37X27	Belt - Blade Drive
4	23739	Jackshaft Pulley
5	24578	Jackshaft
6	20062	Woodruff Key No. 6
7	17X53Z	Washer
8	75336	Hairpin
9	15X79	Flange Nut $\frac{5}{16}$ "-18*
10	90103	Lifter Bracket*
11	15X84	Flange Locknut $\frac{3}{8}$ "-16
12	90121Z	Brake Bar
13	90113Z	Pivot Lever
14	90115	Adjusting Nut
15	90118	Idler Pulley
16	90114Z	Control Rod
17	90122Z	Blade Brake Rod
18	26X214	Screw
19	90123	Spring Assembly
20	9X12	Shoulder Bolt $\frac{3}{8}$ "-16X $\frac{7}{8}$ "
21	90110Z	Idler Bracket Assembly
22	90116	Spring
23	90108Z	Link Rod
24	90104	Rear Hanger Bracket*
25	30X20	Cotter Pin
26	90109	Adjusting Bar
27	17X102	Washer
28	15X88	Flange Locknut $\frac{5}{16}$ "-18
29	90120Z	Belt Guide
30	90101	Blade Housing
	407918	Complete Blade Housing
31	4X24	Machine Screw $\frac{1}{4}$ "-20X $\frac{1}{2}$ "
32	21945	Left Hand Skid*
33	15X67	Locknut $\frac{1}{4}$ "-20*
34	90106	Front Hanger
35	90133Z	Hanger Rod
36	20551	Jackshaft Housing Assembly
37	90105	Front Hanger Bracket*
38	90107Z	Hanger Rod
39	21944	Right Hand Skid*
40	2X53	Carriage Bolt $\frac{5}{16}$ "-18X $\frac{5}{8}$ "
41	15X81	Hex Nut #10-24*
42	21154	Chute Deflector
43	28X23	Push On Cap
44	21198Z	Deflector Rod
45	21187	Rear Deflector Bracket*
46	4X21	Machine Screw #10-24X $\frac{5}{8}$ "
47	21189	Torsion Spring
48	21186	Front Deflector Bracket*
49	1X84	Hex Bolt $\frac{5}{16}$ "-18X1"
50	20617	Blade Adapter
51	21673Z	Blade Washer
52	20930	Blade - 36"
53	20663Z	Washer
54	18X27	Lockwasher
56	15X72	Hex Nut - Blade Mount $\frac{1}{2}$ "-20
57	24533Z	Jackshaft Spacer
58	20619	Guide Screw

\*NOTE: These numbers are included in with key no.  
30.

## WIRING DIAGRAM FOR MODEL NO. 81-36334



KEY NO.	PART NO.	DESCRIPTION
1	90154	Battery - 30 AMP HOUR
--	90171	Electrolyte (Battery Acid)
2	1X38	Hex Bolt 1/4"-20X5/8"
3	15X66	Keps Nut 1/4"-20
4	24X9	Battery Cable - Black
5	26X49	Screw
6	23752	Slow-Blowing Fuse
7	21057PA	Ammeter Assembly
8	21064PA	Key Switch W/A.C. Term
8A	20729	Key & Ring-Only
9	20899PA	Light Switch
10	19X36	Shakeproof Washer
11	24X17	Battery Cable
12	26X185	Screw
13	24285	Solenoid
14	24273	Safety Switch
15	90156	Ground Wire - Lighting Harness
16	23757	Sealed Beam Lamp
--	90062	Wiring Harness

F-5344