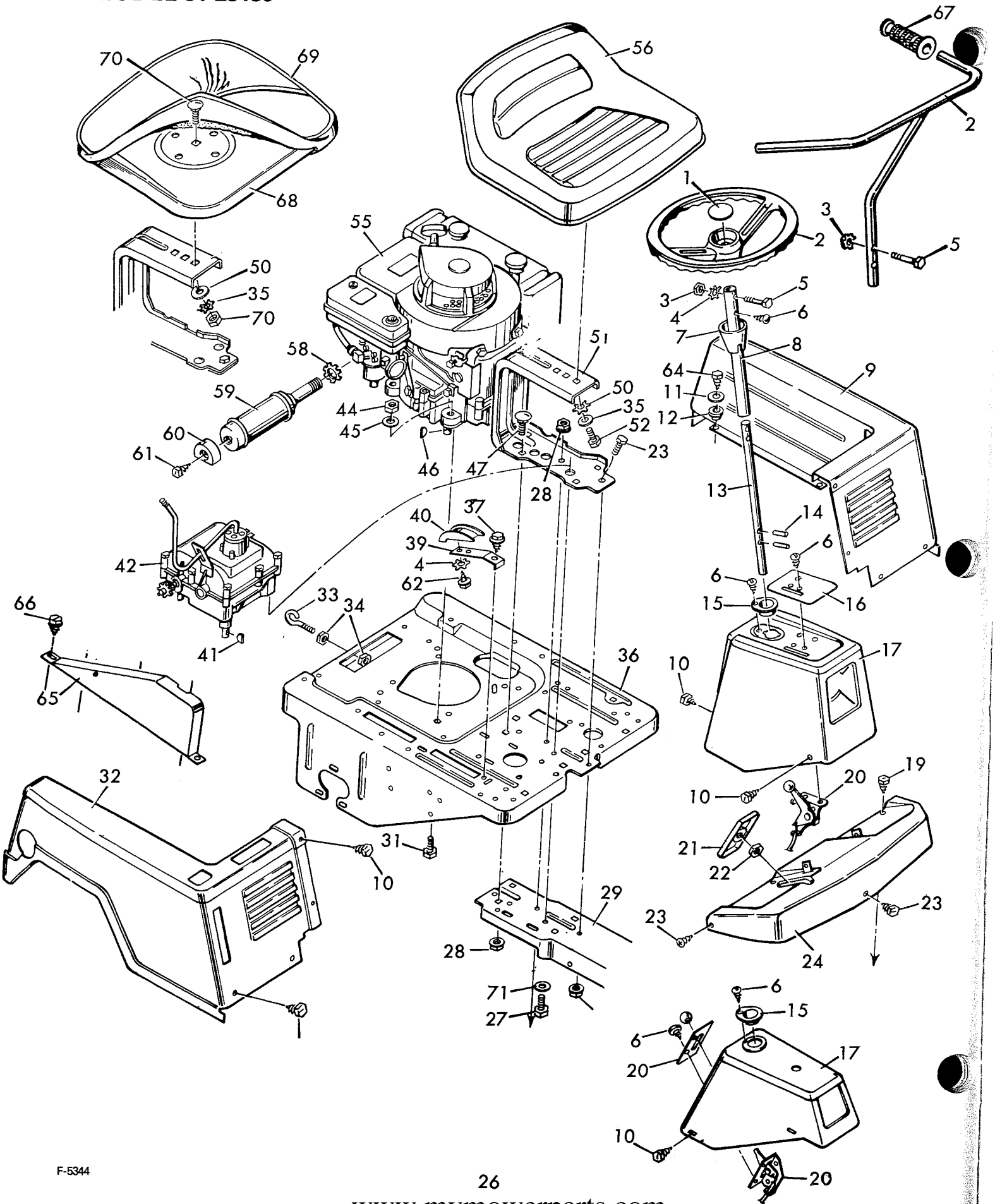


MODEL 81-25010  
MODEL 81-25030  
MODEL 81-25130

TOP HALF



**MODEL 81-25010**  
**MODEL 81-25030**  
**MODEL 81-25130**

Key No.	Model 81-25130	Model 81-25030	Model 81-25010	Description	Key No.	Model 81-25130	Model 81-25030	Model 81-25010	Description
1	21303	21303	-----	Steering Wheel Cap	34	15X33	15X33	15X33	Hex Nut 3/8"-24X9/16"
2	21302	21302	23453	Handlebar or Steering Wheel	35	17X67Z	17X67Z	17X67Z	Washer
3	15X1Z	15X1Z	15X1Z	Nut 1/4"-20	36	23427	23427	23427	Engine Base
4	19X4	19X4	19X4	Shakeproof Washer	37	26X174	26X174	26X174	Screw
5	6X58	6X58	1X94	Hex Bolt	39	23402	23402	23402	Idler Leaf Spring
6	26X159	26X159	-----	Self Tapping Screw	40	23403	23403	23403	Guide Block
7	21171	21171	-----	Steering Wheel Collar	41	20697	20697	20697	Woodruff Key
8	21172C	21172C	-----	Sleeve	42	23467	23467	24605	Transmission*
9	23421	23421	-----	L.H. Shroud Assembly	44	15X42	15X42	15X42	Hex Nut
10	26X214	26X214	26X214	Screw	45	17X47Z	17X47Z	17X47Z	Washer
11	17X106	17X106	-----	Washer	46	20062	20062	20062	Woodruff Key
12	20720	20720	-----	Grommet	47	2X56	2X56	2X56	Carriage Bolt
13	24612	24612	-----	Steering Post	48	15X88Z	15X88Z	15X88Z	Flange Locknut 5/16"-18
14	32X70	32X70	-----	Spring Pins	49	1X78	None	None	Bolt 5/16"-18
15	21034	21034	23404	Nylon Bearing	50	19X36	19X36	19X36	Shakeproof Washer
16	21241	-----	-----	Control Plate	51	24567	24567	24567	Seat Bracket
17	24656	23450	23449	Console Assembly	52	1X88	1X88	1X88	Hex Bolt 1/2"-13X3/4"
19	26X179	26X179	26X179	Screw # 10X1/2"	55	-----	-----	-----	Engine
20	24842PA	21221	21221	Throttle Control	56	23569	23569	-----	Seat
21	20575E	20575E	20575E	Pedal	57	23486Z	None	-----	Seat Hinge
22	15X63	15X63	15X63	Hex Nut	58	23484	23484	-----	Heavy Duty 3/4"
23	26X197	26X197	26X197	Hex Tapping Screw-5/16"	59	23483	-----	-----	Locknut
24	20473	20474	20474	Apron Assembly	60	23554	-----	-----	Muffler
26	15X79Z	15X79Z	15X79Z	Hex Flange Nut 5/16"-18	61	26X185	-----	-----	Deflector
27	1X91	1X91	1X91	Hex Bolt 5/16"-18	62	26X195	26X195	26X195	Screw
28	15X84Z	15X84Z	15X84Z	Hex Flange Nut 3/8"-16X9/16"	63	19X6	19X6	19X6	Shakeproof Washer
29	23666	23673	23673	Frame Channel	64	26X184	26X184	26X184	Screw # 10X5/8"
31	1X74	1X74	1X74	Engine Bolt	65	-----	-----	20605	Chain Guard
32	23417	23420	-----	R.H. Shroud Assembly	66	-----	-----	26X185	Screw
33	20696	20696	20696	Eye Bolt	67	-----	-----	32766	Grip
					68	-----	-----	23570	Seat Pan
					69	-----	-----	23571	Seat Pad
					70	-----	-----	15X64	Hex Nut
					71	10851Z	10851Z	10851Z	Washer
						21817	21817	24803	Parts Bag Assembly
						F-5171	F-5171	F-5170	Owners Manual

\* Complete illustration of transmission shown on Page 99, 100.



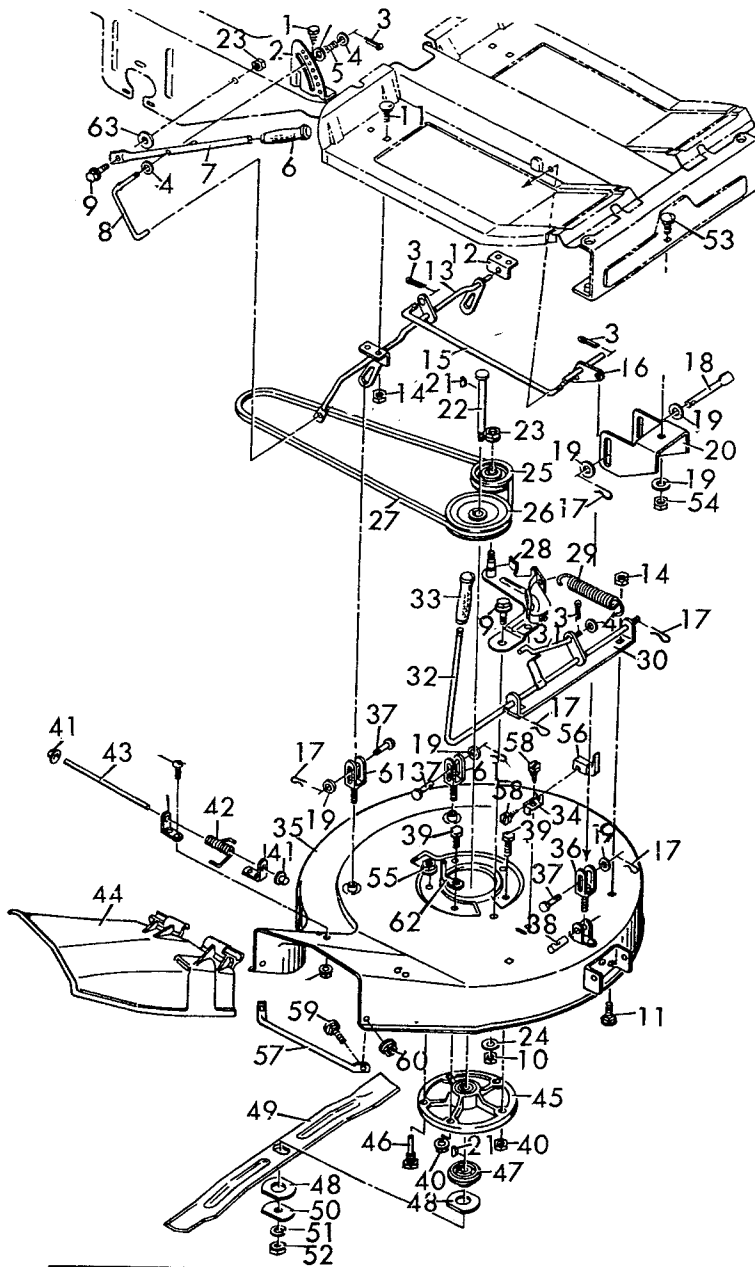
**MODEL 81-25010**  
**MODEL 81-25030**  
**MODEL 81-25130**

Key No.	Model 81-25130	Model 81-25030	Model 81-25010	Description	Key No.	Model 81-25130	Model 81-25030	Model 81-25010	Description
1	23427	23427	23427	Engine Base	37	17X32	17X32	17X32	Plain Washer
2	26X197	26X197	26X197	Screw	38	23118	23118	23118	Brake Rod
3	23553Z	23553Z	23553Z	Chain Clamp	39	20669	20669	20669	Clutch & Brake Rod
4	1X45	1X45	1X45	Bolt 5/16"-18X5/8"	40	6X46	6X46	6X46	Shoulder Screw
5	23455	23455	23455	Running Board Support - R.H.	41	23340	23340	23340	Parking Brake Grip
6	23456	23456	23456	Running Board Support - L.H.	42	21829Z	21829Z	21829Z	Parking Brake Lever
7	26X197	26X197	26X197	Hex Tapping Srew	43	23120	23120	23120	Parking Brake Link
8	15X68	15X68	15X68	Flange Nut 3/8"X16	44	23119	23119	23119	Brake Spring
9	15X79	15X79	15X79	Hex Flange Nut 5/16"X18	45	1X85	1X85	1X85	Bolt 3/8"-16X3/4"
10	23666	23673	23673	Frame Channel	46	15X84	15X84	15X84	Flange Locknut 3/8"-16
11	14X77	14X77	14X77	Acorn Nut	47	20682	20682	20682	Drive Idler Spring
12	19X4	19X4	19X4	Shakeproof Washer	48	23122Z	23122Z	23122Z	Drive Idler Assembly
13	20587	20587	20587	Nylon Spindle Bearing	49	9X15Z	9X15Z	9X15Z	Shoulder Screw
14	21071	21071	21071	Steering Support	50	26X50	26X50	26X50	Screw
15	15X68	15X68	15X68	Hex Nut 3/8"-16	51	37X5	37X5	37X5	Drive Belt
16	30X49	30X49	30X49	Cotter Pin	52	20613	20613	20613	Idler Pulley
17	17X100Z	17X100Z	17X100Z	Plain Washer	53	23615	20614	23615	Transmission Pulley
18	2X56	2X56	2X56	Carriage Bolt 3/8"-16X3/4"	54	23470Z	23470Z	23470Z	Belt Guide
19	21894	21894	21894	Running Board L.H.	55	11X7	11X7	11X7	Retainer Ring
20	20864	20864	20864	Lower Steering Post	56	1X20	1X20	1X20	Bolt 3/8"-24X1"
21	21893	21893	21893	Running Board R.H.	57	19X39	19X39	19X39	Shakeproof Washer
22	2X53	2X53	2X53	Carriage Bolt 5/16"-18X5/8"	58	10851Z	10851Z	10851Z	Washer
23	20709	20709	20709	Stop Clip	59	23505Z	23505Z	23505Z	Stack Pulley Assembly
24	20545	20545	20545	Front Axle Beam	60	24713Z	24713Z	24713Z	Stack Pulley Belt Guide
25	20639	20639	20639	Apron Support	61	1X81	1X81	1X81	Bolt 5/16"-18X1-5/8"
26	24692	24692	24692	Spindle Arm L.H.	62	20752	20752	20752	Rear Wheel & Tire
27	24700	24700	24700	Tie Bar & Bracket	63	133X3	133X3	133X3	Tire Only
28	24691	24691	24691	Spindle Arm R.H.					Tube Only
29	24625	24624	24624	Front Wheel & Tire	64	135X3	135X3	135X3	Wheel Only
	133X2	-----	-----	Tire Only		24373	24373	24373	Valve Stem & Cap-Tubeless
	134X2	-----	-----	Tube Only	65	20570Z	20570Z	20570Z	Bearing Retainer
	135X2	-----	-----	Wheel Only	66	20568	20568	20568	Rear Axle Bearing
30	24615	24615	24615	Front Wheel Bearing	67	61961Z	61961Z	61961Z	Washer
32	9X15	9X15	9X15	Shoulder Bolt	68	32X65	32X65	32X65	Roll Pin
33	15X88	15X88	15X88	Flange Nut 5/16"-18	69	20686	20686	20686	Differential*
34	20645	20645	20645	Clutch & Brake Lever	70	23544	23544	23544	Roller Chain 40-1/2"
35	20572	20572	20572	Clutch & Brake Lever Clamp	71	20730	20730	20730	Connecting Link
36	30X20	30X20	30X20	Cotter Hair Pin	72	24831	20691	20691	L.H. Rubber Mat
					73	24830	20690	20690	R.H. Rubber Mat
					74	-----	-----	-----	Grommet
					75	17X100Z	17X100Z	17X100Z	Washer

\* NOTE: Complete illustration of differential shown on page 97.

**MODEL 81-25010  
MODEL 81-25030  
MODEL 81-25130**

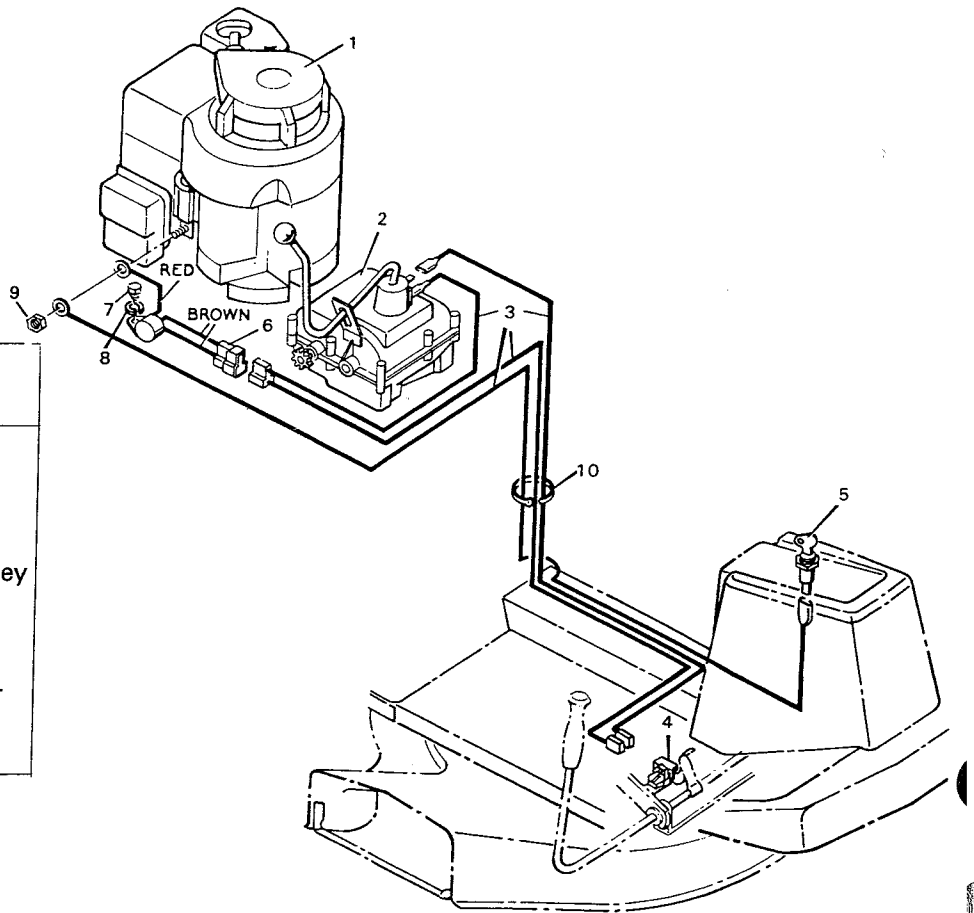
**25" BLADE HOUSING**



Key No.	Part No.	Description
1	26X197	Hex Tapping Screws 5/16"X5/8"
2	20636	Index Bracket
3	30X20	Cotter Pin
4	17X46Z	Washer
5	20680	Lifter Spring
6	20718	Grip - Lifter Lever
7	23593	Lever & Pin Assembly 81-25010
	20658	Lever & Pin Assembly 81-25030
	20658	Lever & Pin Assembly 81-25130
8	21886	Lifter Rod
9	9X14	Shoulder Bolt

Key No.	Part No.	Description
11	2X53	Carriage Bolt 5/16"-18X5/8"
12	21876	Rear Bracket
13	24505	Rear Lifter Rod Assembly
14	15X79	Hex Nut 5/16"-18
15	24500	Lifter Link
16	21880	Pivot Arm & Rod Assembly - Low Console Models 81-25010 81-25030
	21982	Pivot Arm & Rod Assembly - High Console Models 81-25130
17	75336	Hair Pin
18	21890Z	Pin
19	17X67Z	Washer
20	24535	Front Suspension Bracket
21	20062	Woodruff Key
22	20616	Jackshaft
23	15X84	Locknut 3/8"-16
24	17X46Z	Washer
25	20613	Idler Pulley
26	20615	Jackshaft Pulley
27	37X7	Blade Belt
28	20671	Idler Bracket & Brake Assembly
29	20681	Blade Idler Spring
30	20666	Front Scissor Bracket
31	20673Z	Rod - Blade Brake
32	24671Z	Blade Drive Lever Assembly
33	20719	Grip
34	24503	Switch Bracket
35	24676	Blade Housing
36	24521	Slotted Bracket & Bolt Assembly
37	21891	Clevis Pin
38	21892	Lifter Pin
39	1X84	Hex Bolt 5/16"-18X7/8"
40	15X88	Hex Nut 5/16"-18
41	28X23	Push-On-Cap
42	21189	Torsion Spring
43	21197Z	Deflector Rod
44	21151	Chute Deflector
45	20551	Jackshaft Housing Assembly
46	20619Z	Guide Bolt
47	20617	Blade Adapter
48	21673Z	Washer
49	20083	Blade
50	20663Z	Blade Washer
51	18X27	Lockwasher
52	15X72	Blade Mounting Nut 1/4"-20
53	2X55	Carriage Bolt
54	15X41	Hex Nut
55	15X79	Hex Nut
56	24527	Limit Switch
57	20581	Horn Guard
58	26X214	Screw
59	2X39	Carriage Bolt
60	15X89	Flange Nut
61	24592	Rear Slotted Bracket
62	23470Z	Belt Guide
63	17X127Z	Washer
	403126	Complete Blade Housing Assembly

**WIRING DIAGRAM**  
**Model NO. 81-25010**  
**81-25030**  
**81-25130**



KEY NO.	PART NO.	DESCRIPTION
1	----	Engine
2	----	Transmission
3	24837	Wiring Harness
4	24527	Limit Switch
5	23665PA 20729	Ignition Switch & Key Key Only
6	21361	Solid State Module
7	26X185	Screw
8	19X1	Shakeproof Washer
9	15X49Z	Hex Nut
10	32618	Tie Strap