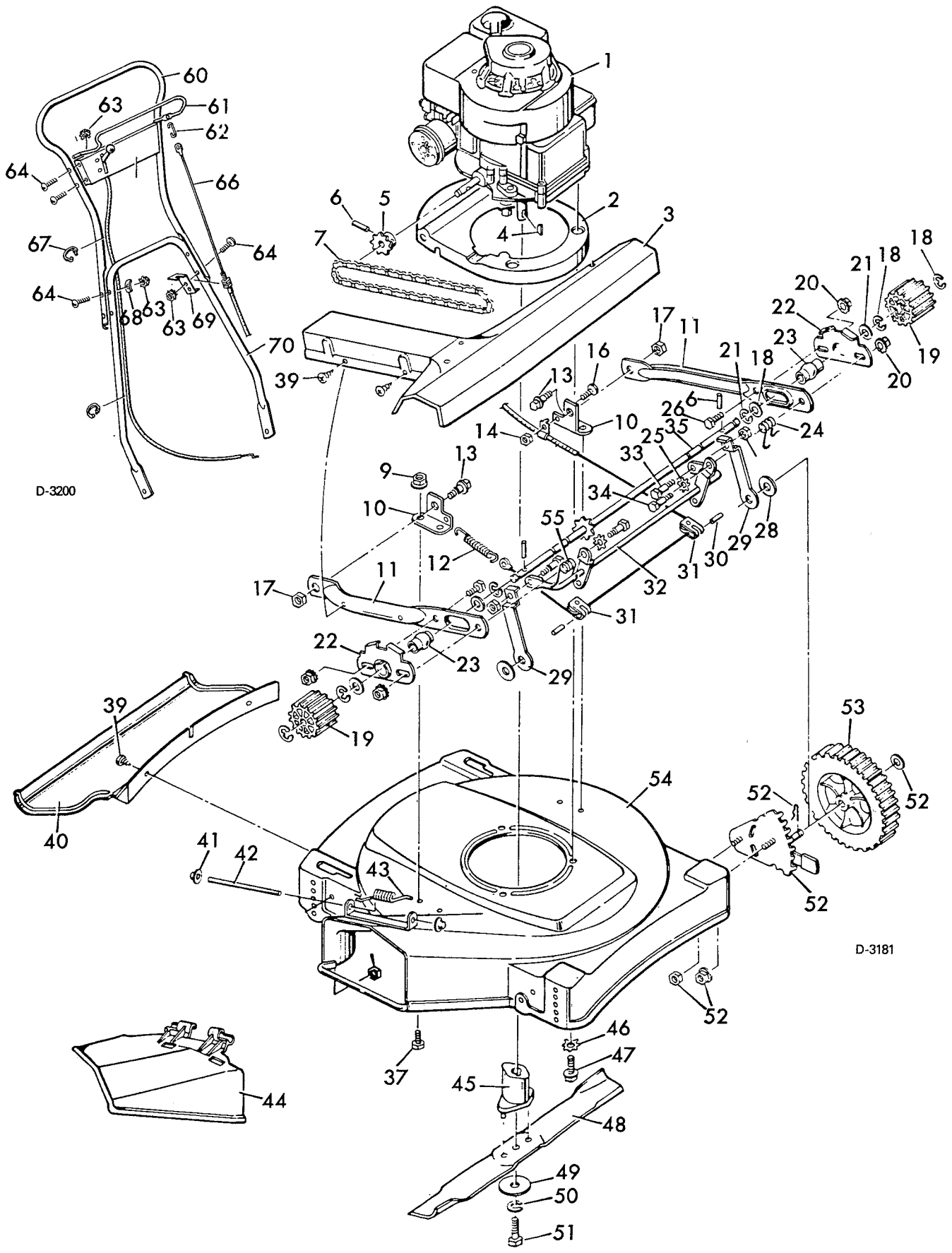


MODEL 81-22420 22" DELUXE SELF-PROPELLED



MODEL 81-22420

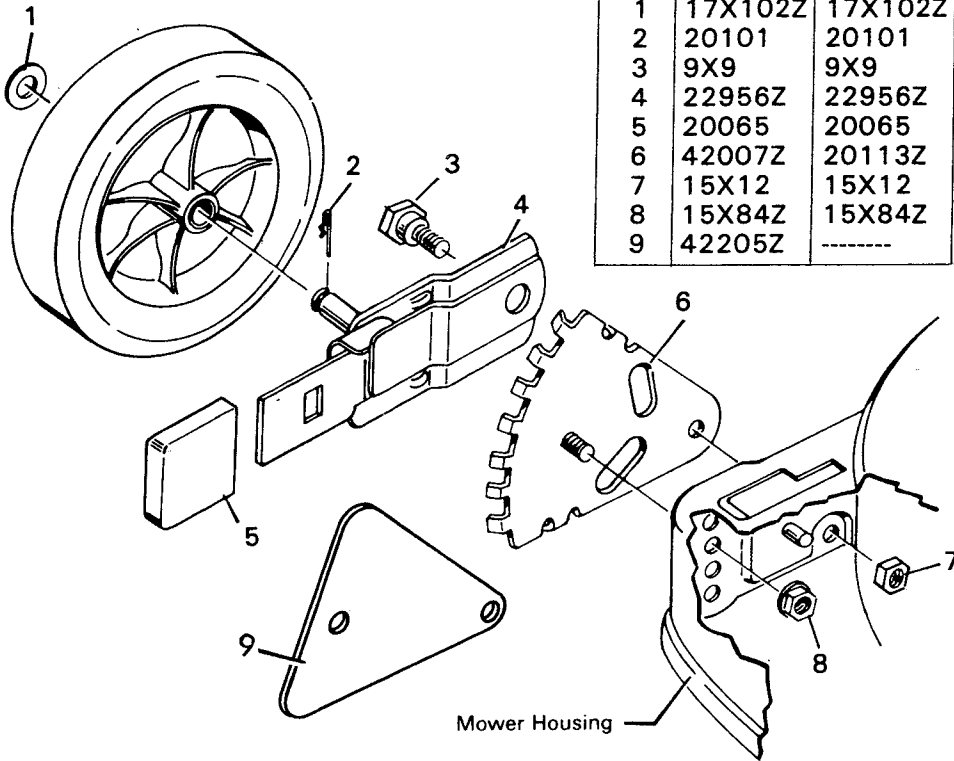
Key No.	Model 81-22420 Part No.	Description	Key No.	Model 81-22420 Part No.	Description
1	-----	Engine	35	22150Z	Drive Shaft & Sprocket Assembly
2	42251E	Engine Base	37	1X38	Hex Bolt
3	402014	Chain & Pinion Guard Assembly	39	26X185	Screw
4	20062	Woodruff Key	40	407018	Rear Guard
5	42086	Engine Sprocket	41	28X42	Push-On-Cap
6	32X64	Spring Pin	42	22050Z	Pivot Rod
7	20108	Roller Chain	43	22052	Torsion Spring
9	15X82	Flange Locknut	44	20454	Chute Deflector
10	22953Z	Drive Yoke Support Bracket	45	20051	Blade Adapter
11	22963Z	Drive Arm	46	19X8	Shakeproof Washer
12	22618	Spring	47	20102	Engine Bolt
13	9X17	Shoulder Bolt	48	20046	Blade
14	15X51Z	Hex Nut	49	20094Z	Blade Washer
16	4X20	Machine Screw	50	18X31	Spring Lockwasher
17	15X84	Hex Nut	51	1X69	Blade Mounting Bolt
18	11X8	E-Ring	52	400246	Wheel Adjuster Assembly*
19	20066	Drive Cog	53	20105	Wheel
20	15X76	Flange Locknut	54	22994	Mower Housing
21	17X100Z	Washer	55	22976	Torsion Spring R.H.
22	22974Z	Bearing Retainer	60	42195C	Upper Handle
23	20048	Bearing	61	22958Z	Clutch Control Handle
24	22977	Torsion Spring - L.H.	62	75079	Clutch Cable Hook
25	19X6	Shakeproof Washer	63	15X66	Keps Nut 1/4"-20
26	1X45	Hex Bolt	64	3X136	Screw 1/4"-20X1-3/8"
27	15X43Z	Hex Nut	65	402013	Control Plate & Throttle Control
29	22970Z	Wheel Connecting Lever	66	22992	Clutch Cable
30	32X70	Spring Pin	67	22550	Cable Clamp
31	22973	Bracket and Pulley Assembly	68	20087Z	Formed Washer
32	22989Z	Tie Rod Assembly	69	22968Z	Cable Bracket
33	9X8	Bolt	70	42197C	Lower Handle
34	9X1	Bolt		42122	Parts Bag Assembly
				F-5287	Owners Manual

*For complete parts list information for Wheel Adjuster Assembly Model 400246, see page 24.

DELUXE WHEEL ADJUSTER ASSEMBLY

MODEL 400245 - MULCHER
400246 - SIDE BAGGER
400247 - REAR BAGGER

KEY NO.	MODEL 400245	MODEL 400246	MODEL 400247	DESCRIPTION
1	17X102Z	17X102Z	17X102Z	Washer
2	20101	20101	20101	Hair Pin
3	9X9	9X9	9X18	Shoulder Bolt
4	22956Z	22956Z	22956Z	Arm and Axle Assembly
5	20065	20065	20065	Lever Spring Knob
6	42007Z	20113Z	42007Z	Index Plate Assembly
7	15X12	15X12	15X12	Flange Locknut
8	15X84Z	15X84Z	15X84Z	Locknut
9	42205Z	-----	-----	Spacer



STANDARD WHEEL ADJUSTER ASSEMBLY MODELS 400251 & 400252

Key No.	Part No.	Description
1	17X102Z	Washer
2	20101	Hair Pin
3	42102Z	Wheel Bracket Assembly - Right Front or Left Rear
	42103Z	Wheel Bracket Assembly - Left Front or Right Rear
4	42104Z	Index Plate Assembly
1-4	400251	Wheel Adjuster Assembly - Right Front or Left Rear
1-4	400252	Wheel Adjuster Assembly - Left Front or Right Rear
5	15X84Z	Flange Locknut

