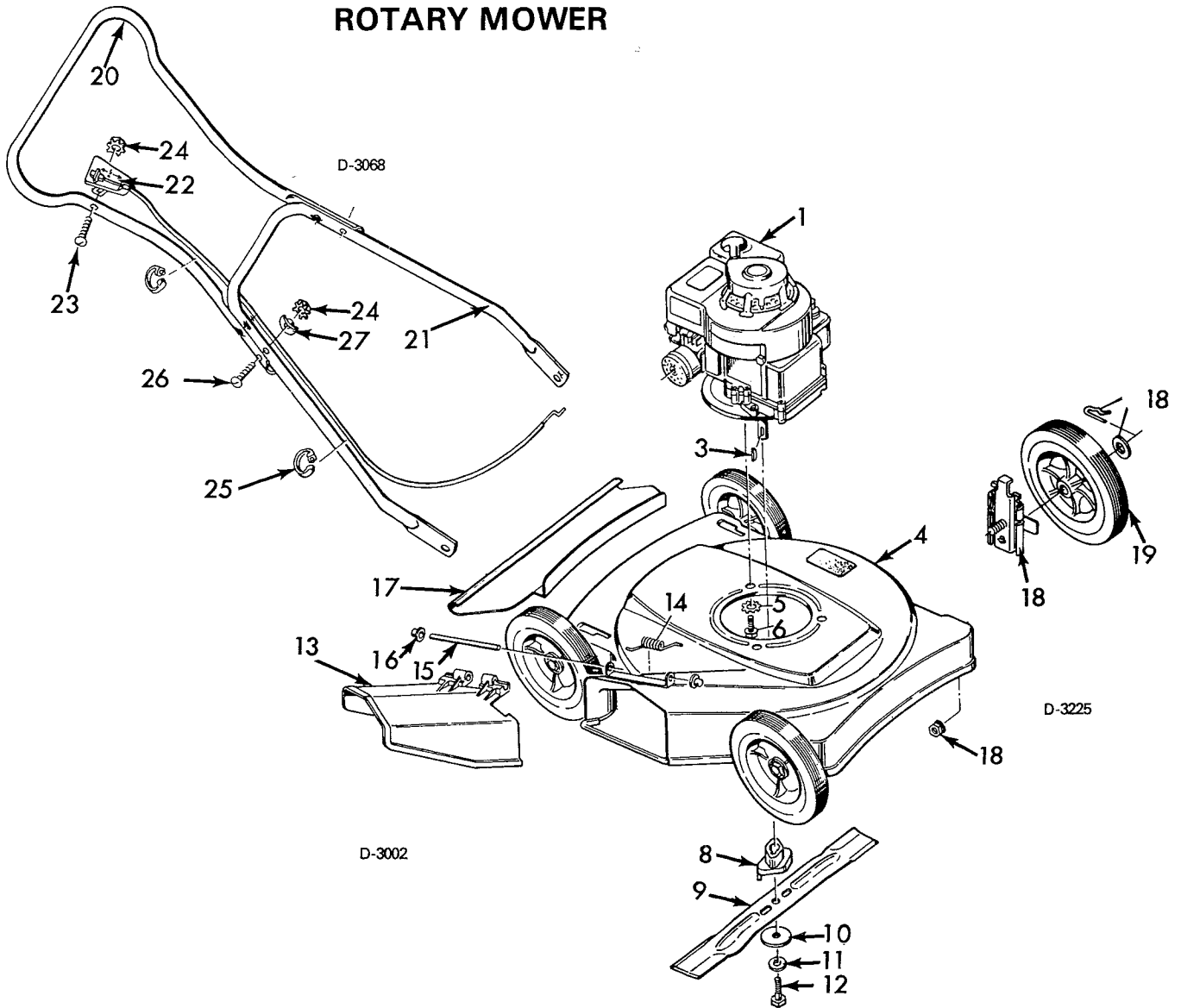


**MODEL 81-22020 22" EQUIPPED
ROTARY MOWER**



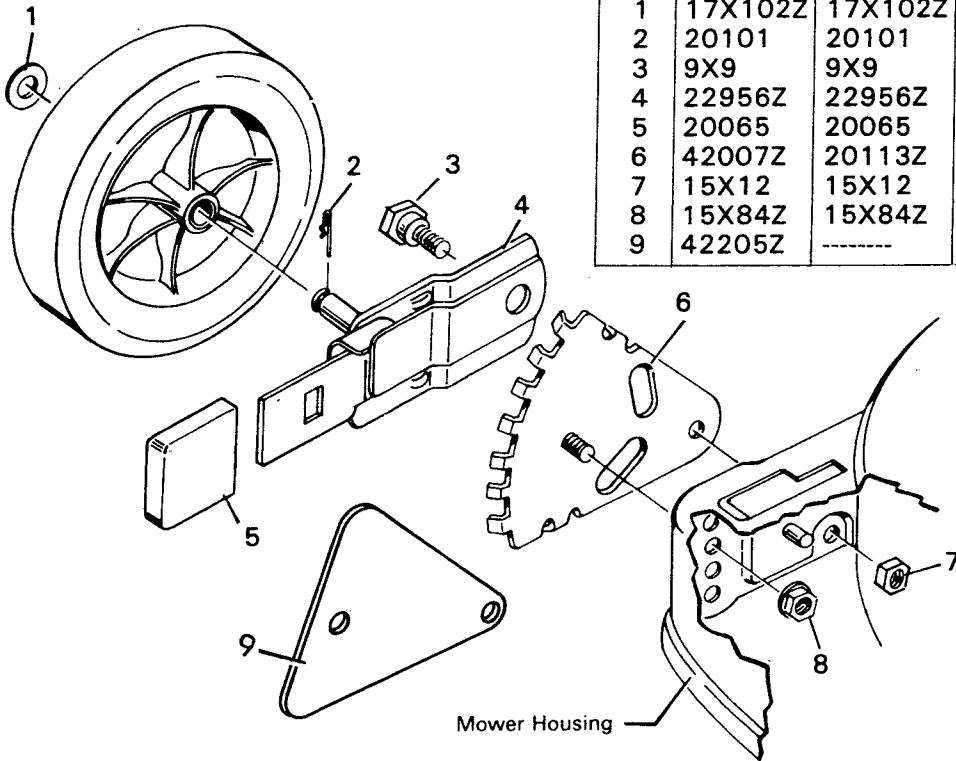
Key No.	Model 81-22020 Part No.	Description	Key No.	Model 81-22020 Part No.	Description
1	-----	Engine	18	400251	Wheel Adjuster - Right Front & Left Rear*
3	20062	Woodruff Key	18	400252	Wheel Adjuster - Left Front & Right Rear*
4	22076	Housing	19	20270	Wheel & Tire
5	19X8	Shakeproof Washer	20	42190Z	Upper Handle Assembly
6	20103	Engine Bolt	21	42199Z	Lower Handle Assembly
8	20050	Blade Adapter	22	22058	Control & Cable
9	20046	Blade	23	3X97Z	Bolt
10	20094Z	Washer	24	15X66	Keps Nut
11	18X31	Cup Washer	25	22550	Cable Clips
12	1X68	Blade Adapter Bolt	26	3X136Z	Bolt
13	20454	Chute Deflector	27	20087Z	Formed Washer
14	22052	Torsion Spring		42120	Parts Bag
15	22050Z	Pivot Pin		F-5285	Owners Manual
16	28X42	Push-On-Cap			
17	407018	Rear Guard			

* Note: See page 24 for parts list for Wheel Adjuster Assembly.

DELUXE WHEEL ADJUSTER ASSEMBLY

MODEL 400245 - MULCHER
400246 - SIDE BAGGER
400247 - REAR BAGGER

KEY NO.	MODEL 400245	MODEL 400246	MODEL 400247	DESCRIPTION
1	17X102Z	17X102Z	17X102Z	Washer
2	20101	20101	20101	Hair Pin
3	9X9	9X9	9X18	Shoulder Bolt
4	22956Z	22956Z	22956Z	Arm and Axle Assembly
5	20065	20065	20065	Lever Spring Knob
6	42007Z	20113Z	42007Z	Index Plate Assembly
7	15X12	15X12	15X12	Flange Locknut
8	15X84Z	15X84Z	15X84Z	Locknut
9	42205Z	-----	-----	Spacer



STANDARD WHEEL ADJUSTER ASSEMBLY MODELS 400251 & 400252

Key No.	Part No.	Description
1	17X102Z	Washer
2	20101	Hair Pin
3	42102Z	Wheel Bracket Assembly - Right Front or Left Rear
	42103Z	Wheel Bracket Assembly - Left Front or Right Rear
4	42104Z	Index Plate Assembly
1-4	400251	Wheel Adjuster Assembly - Right Front or Left Rear
1-4	400252	Wheel Adjuster Assembly - Left Front or Right Rear
5	15X84Z	Flange Locknut

