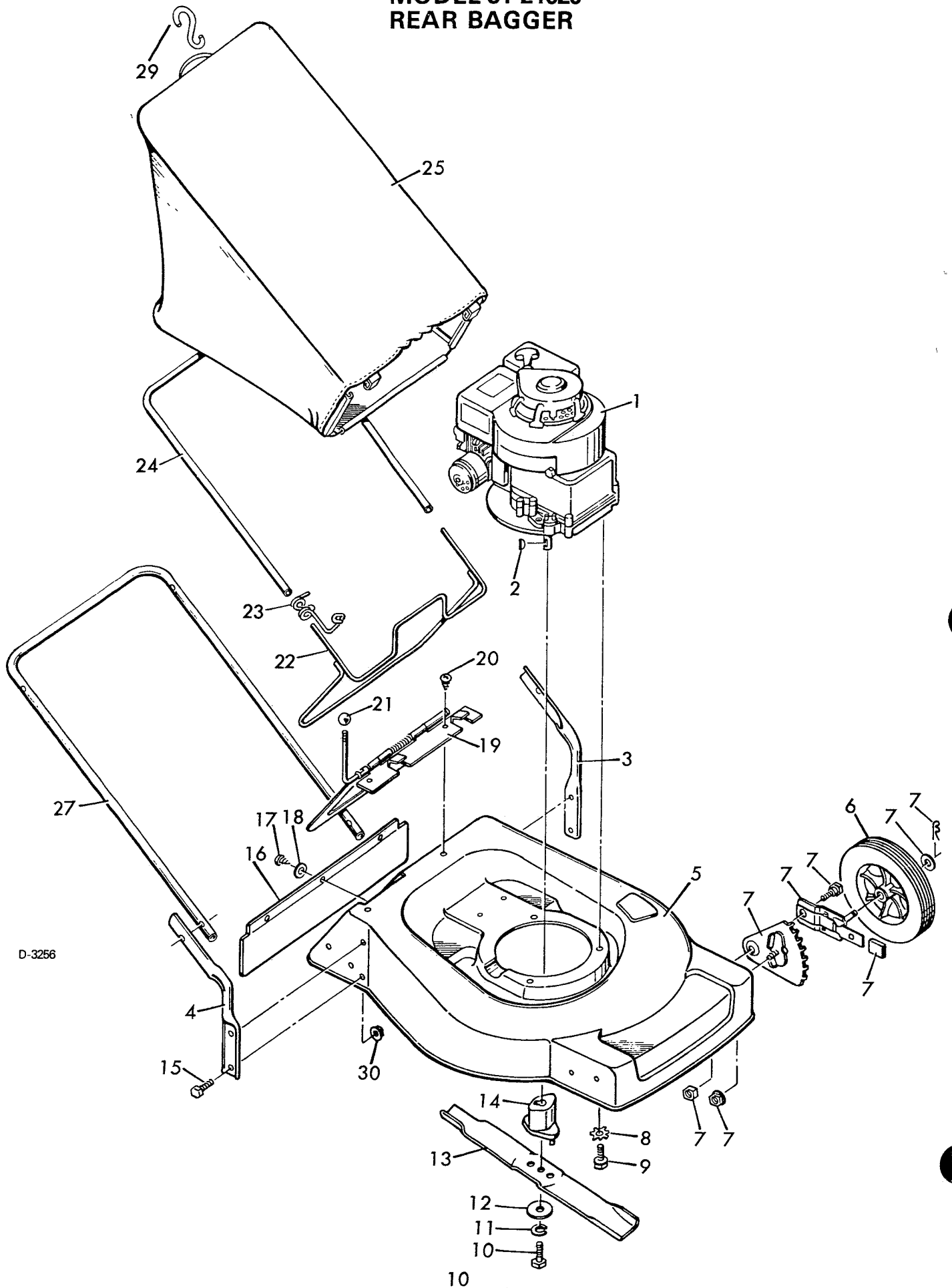


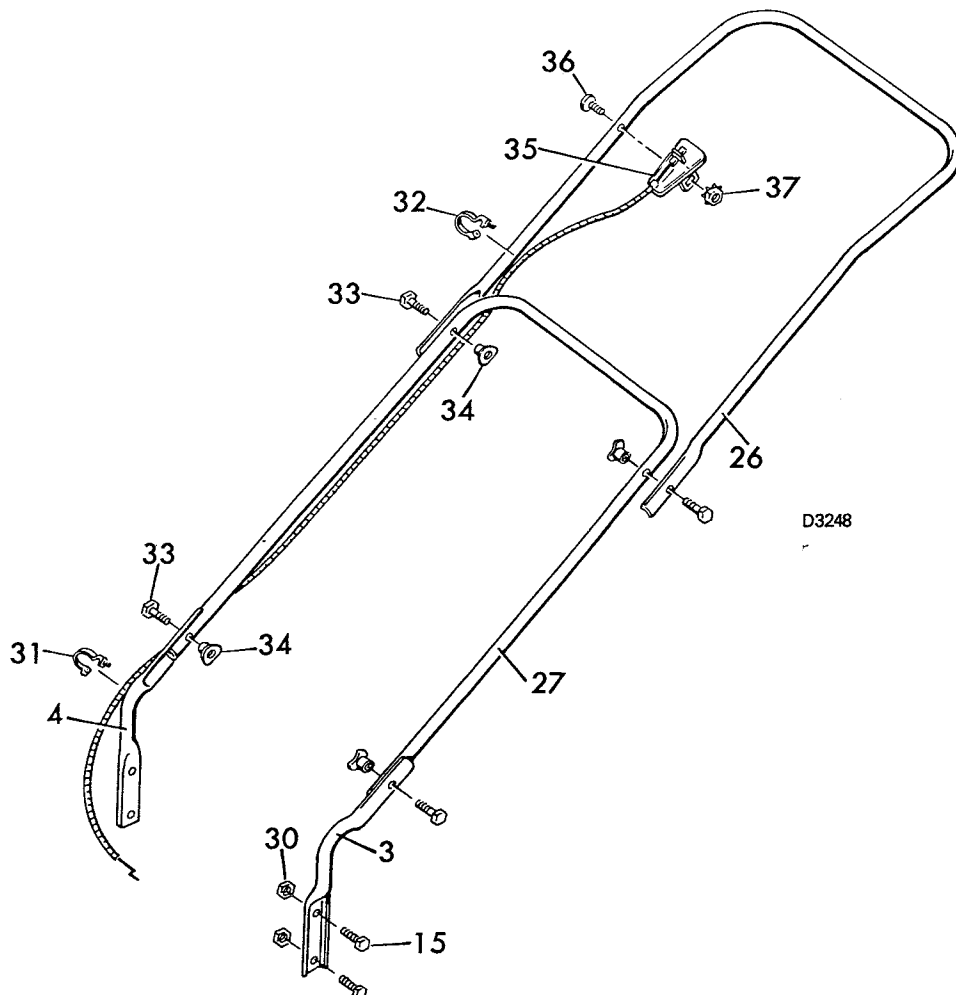
MODEL 81-21620 REAR BAGGER



MODEL 81-21620 REAR BAGGER

Key No.	Part No.	Description	Key No.	Part No.	Description
1	----	Engine*	20	26X159	Tapping Screw
2	20062	Woodruff Key # 10	21	42031	Knob - Door Assembly
3	42029	Handle Bracket - L.H.	22	42035	Grass Catcher Frame
4	42028	Handle Bracket - R.H.	23	42037	Door Latch
5	42010	Housing Assembly	24	42036	Upper Tube
6	20104	Wheel & Tire	25	42033	Grass Catcher Bag
7	400247	Wheel Adjuster - Complete*	26	42065C	Upper Handle
8	19X8	Shakeproof Washer	27	42038C	Lower Handle
9	20103	Bolt - Engine Mount	29	42041	Catcher Support Hook
10	1X68	Bolt - Blade Mount	30	15X84Z	Hex Nut
11	18X31	Spring Lockwasher	31	32425	Cable Clip 1"
12	20094Z	Washer	32	22550	Cable Clip
13	22860	Blade - 21 Inch	33	20412	Hex Bolt
14	20050	Blade Adapter	34	20410	Tee Nut
15	1X85	Bolt 3/8"-16X3/4"	35	42058	Throttle Control
16	42204	Rear Guard	36	3X97Z	Screw
17	26X184	Screw	37	15X66	Keys Nut
18	17X17Z	Washer		42071	Parts Bag Assembly
19	400249	Door Assembly (W/Knob)		F-5290	Owners Manual

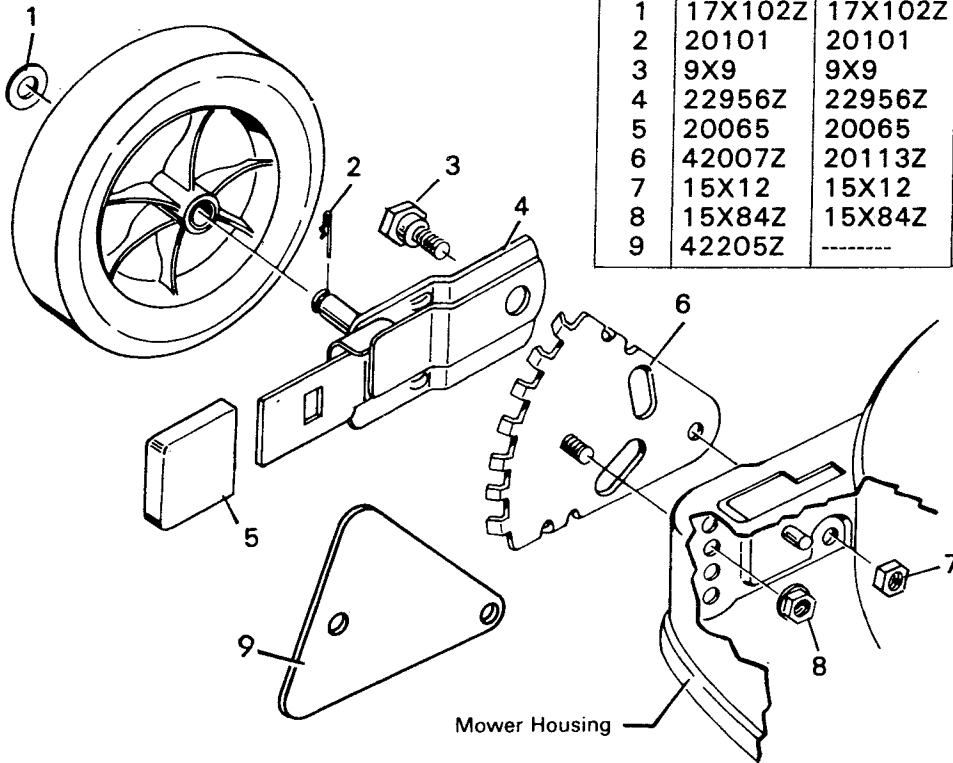
*Note: See page 24 for Wheel Adjuster Replacement Parts.



DELUXE WHEEL ADJUSTER ASSEMBLY

MODEL 400245 - MULCHER
400246 - SIDE BAGGER
400247 - REAR BAGGER

KEY NO.	MODEL 400245	MODEL 400246	MODEL 400247	DESCRIPTION
1	17X102Z	17X102Z	17X102Z	Washer
2	20101	20101	20101	Hair Pin
3	9X9	9X9	9X18	Shoulder Bolt
4	22956Z	22956Z	22956Z	Arm and Axle Assembly
5	20065	20065	20065	Lever Spring Knob
6	42007Z	20113Z	42007Z	Index Plate Assembly
7	15X12	15X12	15X12	Flange Locknut
8	15X84Z	15X84Z	15X84Z	Locknut
9	42205Z	-----	-----	Spacer



STANDARD WHEEL ADJUSTER ASSEMBLY MODELS 400251 & 400252

Key No.	Part No.	Description
1	17X102Z	Washer
2	20101	Hair Pin
3	42102Z	Wheel Bracket Assembly - Right Front or Left Rear
	42103Z	Wheel Bracket Assembly - Left Front or Right Rear
4	42104Z	Index Plate Assembly
1-4	400251	Wheel Adjuster Assembly Right Front or Left Rear
1-4	400252	Wheel Adjuster Assembly - Left Front or Right Rear
5	15X84Z	Flange Locknut

