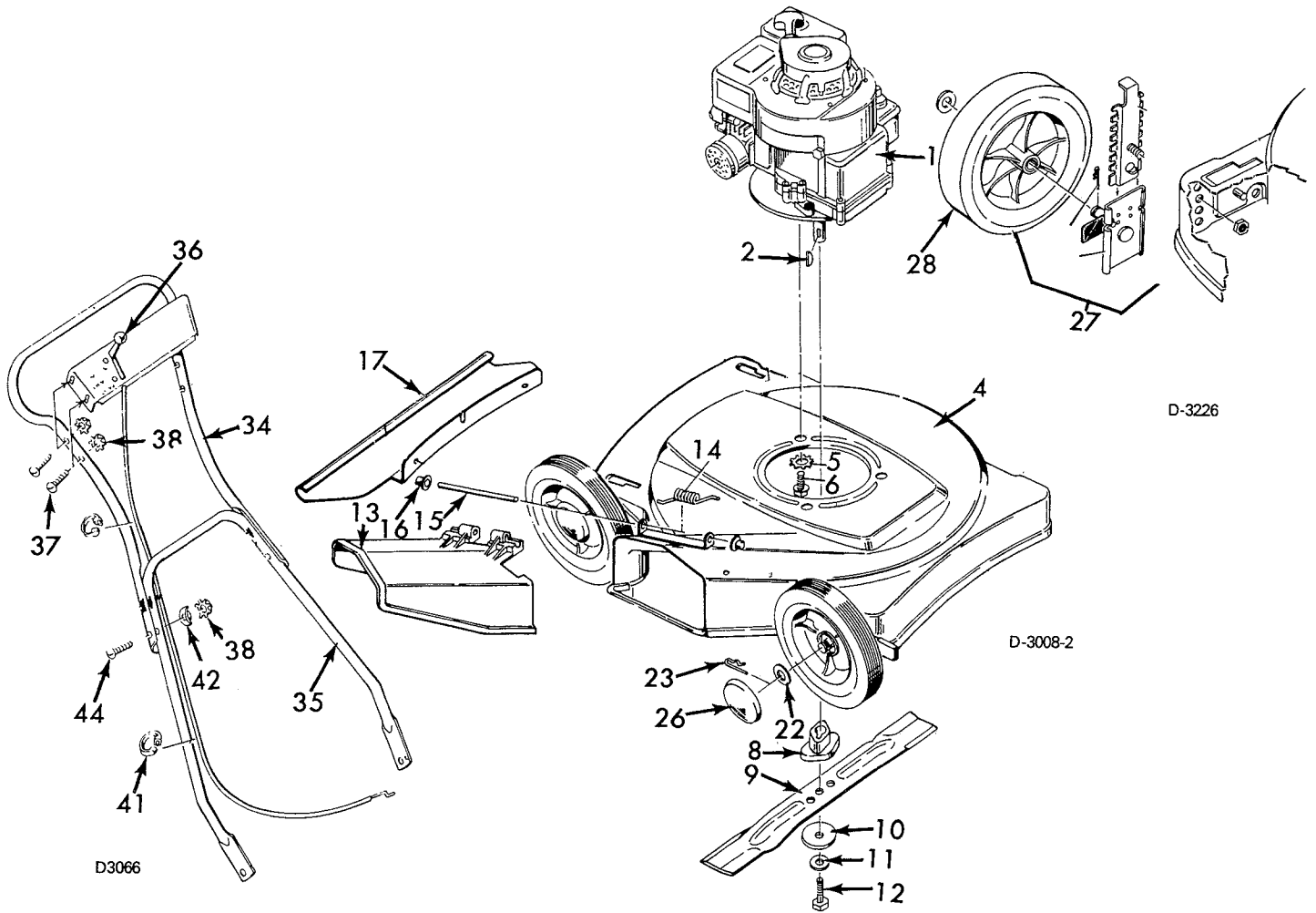


MODEL 81-20020 20" DELUXE ROTARY MOWER

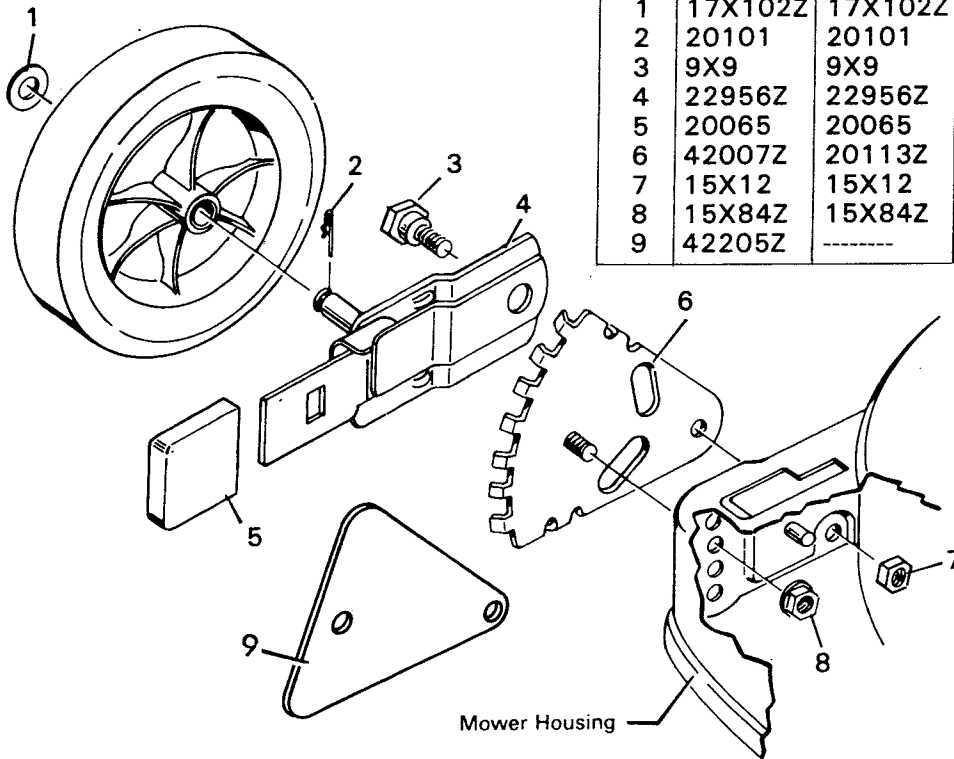


Key No.	Model 81-20020 Part No.	Description	Key No.	Model 81-20020 Part No.	Description
1	----	Engine	26	20107	Hub Cap
2	20062	Woodruff Key	27	400251	Wheel Adjuster Assembly - Right Front or Left Rear*
4	22074	Housing	27	400252	Wheel Adjuster Assembly - Left Front or Right Rear*
5	19X8	Shakeproof Washer	28	20106	Wheel & Tire
6	20103	Engine Bolt	34	42191C	Upper Handle Assembly
8	20050	Blade Adapter	35	42199C	Lower Handle Assembly
9	20045	Blade	36	402013	Control & Cable
10	20094Z	Washer	37	3X97Z	Bolt
11	18X31	Cup Washer	38	15X66	Keys Nut
12	1X68	Blade Adapter Bolt	41	22550	Cable Clips
13	20454	Chute Deflector	42	20087Z	Formed Washer
14	22052	Torsion Spring	44	3X136Z	Bolt
15	22050Z	Pivot Pin		42121	Parts Bag
16	28X42	Push-On-Cap		F-5285	Owners Manual
17	407017	Rear Guard			
22	17X102Z	Washer			
23	20101	Cotter Hair Pin			

* Note: See Page 24 for parts list for Wheel Adjuster Assembly.

DELUXE WHEEL ADJUSTER ASSEMBLY
MODEL 400245 - MULCHER
400246 - SIDE BAGGER
400247 - REAR BAGGER

KEY NO.	MODEL 400245	MODEL 400246	MODEL 400247	DESCRIPTION
1	17X102Z	17X102Z	17X102Z	Washer
2	20101	20101	20101	Hair Pin
3	9X9	9X9	9X18	Shoulder Bolt
4	22956Z	22956Z	22956Z	Arm and Axle Assembly
5	20065	20065	20065	Lever Spring Knob
6	42007Z	20113Z	42007Z	Index Plate Assembly
7	15X12	15X12	15X12	Flange Locknut
8	15X84Z	15X84Z	15X84Z	Locknut
9	42205Z	-----	-----	Spacer



STANDARD WHEEL ADJUSTER ASSEMBLY
MODELS 400251 & 400252

Key No.	Part No.	Description
1	17X102Z	Washer
2	20101	Hair Pin
3	42102Z	Wheel Bracket Assembly - Right Front or Left Rear
	42103Z	Wheel Bracket Assembly - Left Front or Right Rear
4	42104Z	Index Plate Assembly
1-4	400251	Wheel Adjuster Assembly - Right Front or Left Rear
1-4	400252	Wheel Adjuster Assembly - Left Front or Right Rear
5	15X84Z	Flange Locknut

