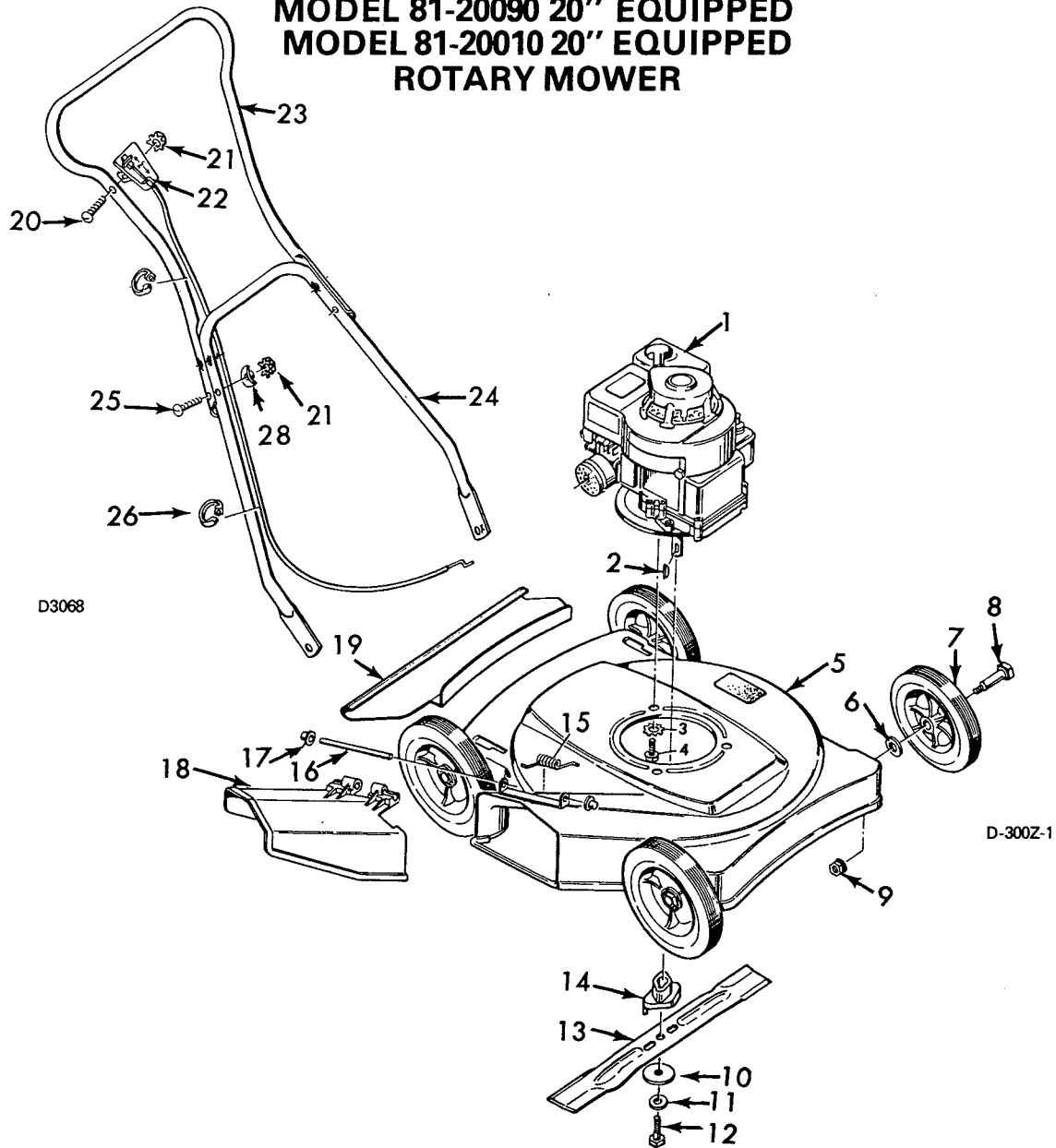


**MODEL 81-20090 20" EQUIPPED
MODEL 81-20010 20" EQUIPPED
ROTARY MOWER**



Key No.	Model 81-20010 Part No.	Description	Key No.	Model 81-20090 Part No.	Description
1	----	Engine	15	22052	Torsion Spring
2	20062	Woodruff Key	16	22050Z	Pivot Pin
3	19X8	Shakeproof Washer	17	28X42	Push-On-Cap
4	20103	Engine Bolt	18	20454	Chute Deflector
5	22074	Housing Assembly	19	407017	Rear Guard Panel
6	10851Z	Washer	20	3X97Z	Bolt
7	20270	Wheel & Tire	21	15X66	Keys Nut
8	9X10Z	Axle Bolt	22	22058	Control Assembly 81-20010
9	15X68	Flange Locknut		75184	Control Assembly 81-20090
10	20094Z	Washer	23	42190Z	Upper Handle Assembly
11	18X31	Cup Washer	24	42199Z	Lower Handle Assembly
12	1X68	Blade Adapter Bolt	26	22550	Cable Clip
13	20045	Blade	25	3X136Z	Bolt
14	20050	Blade Adapter		42120	Parts Bag Ass'y
				F-5285	Owners Manual 81-20010
				F-5280	Owners Manual 81-20090
			28	20087Z	Formed Washer