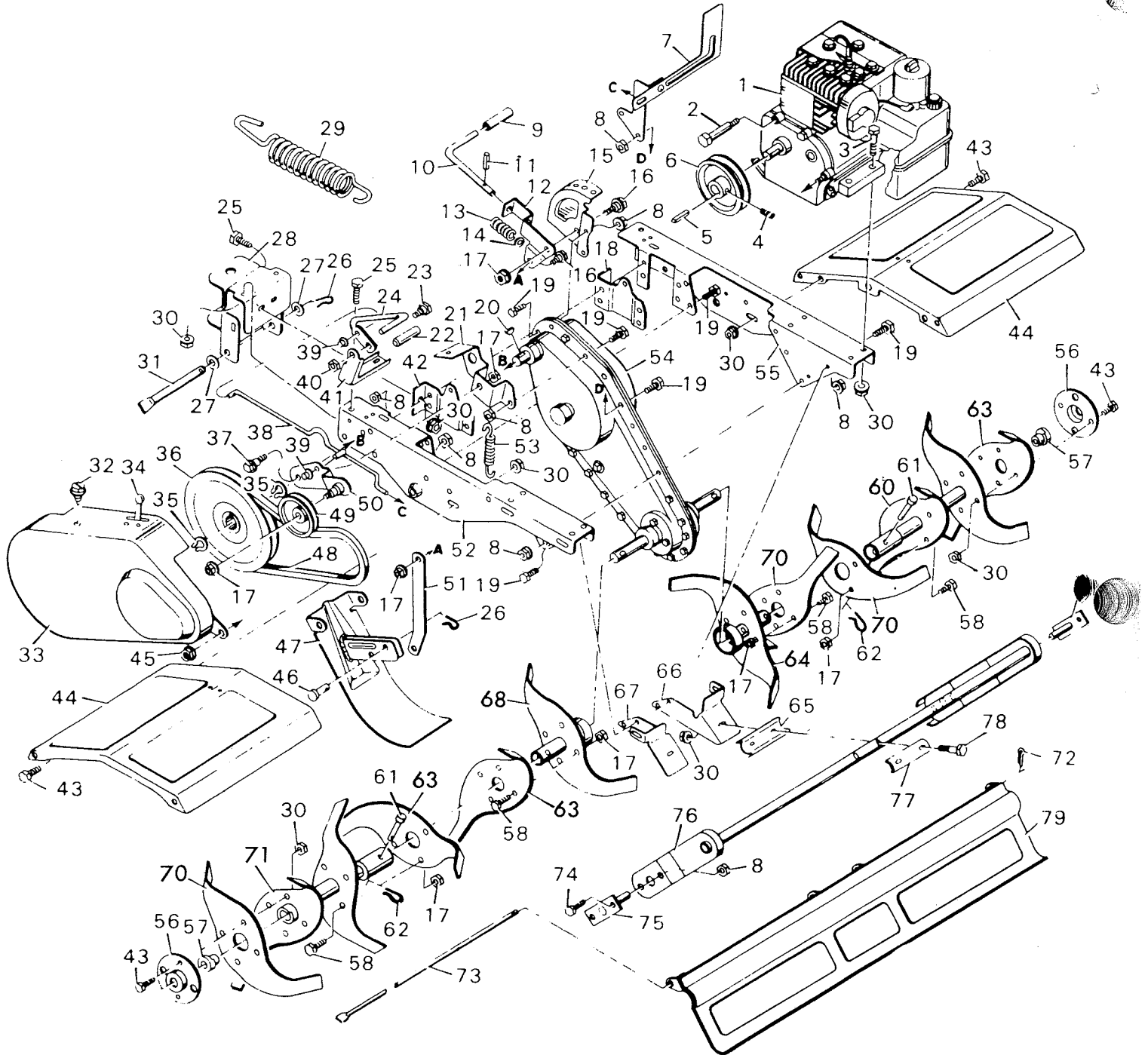


# TRACTOR TILLER REPLACEMENT PARTS ILLUSTRATION MODEL 81-13360



**TRACTOR TILLER  
REPLACEMENT PARTS LIST  
MODEL NO 81-13360**

KEY NO.	PART NO.	DESCRIPTION	KEY NO.	PART NO.	DESCRIPTION
1	-----	Engine †	42	75039	L.H. Guide Bracket
2	9X21	Shoulder Bolt ¼"-20X¾"	43	1X91	Hex Bolt ⅝"-18X¾"
3	1X102	Hex Bolt ⅝"-18X1½"	44	75480	Tine Shield Assembly
4	23X48	Set Screw	45	15X66	Keps Nut ¼"-20
5	21553	Square Key ⅜"	46	29X97	Clevis Pin
6	75474	Pulley	47	75451	Skid Plate Assembly
7	75468	Caution Flag Assembly	48	37X32	Drive Belt
8	15X89	Flange Locknut ¼"-20	49	75149	Idler Pulley
9	75447	Grip	50	75475Z	Idler Bracket Assembly
10	75444Z	Adjuster Arm	51	75443Z	Lift Bar
11	32X75	Roll Pin	52	75224	Chassis - L.H.
12	75445Z	Adjuster Lock	53	75473	Idler Spring
13	75446	Spring - Height Adjuster	54	75406	Transmission * *
14	17X106	Washer	55	75063	Chassis - R.H.
15	75453Z	Index Plate	56	75487Z	Bearing Retainer
16	9X12	Shoulder Bolt ⅜"-16X7/8"	57	75496	Tine Support Bearing
17	15X84	Flange Locknut ⅜"-16	58	1X85	Hex Bolt ⅜"-16X¾"
18	75038	R.H. Guide Bracket	60	75420	Tine & Hub Weld Assy. Right Outside
19	1X95	Hex Bolt ¼"-20X7/8"	61	29X98	Clevis Pin
20	21539	Woodruff Key No. 61	62	75061	Spring Pin
21	75442	Bracket, Belt Guide & Idler	63	75408	Tine, Roto Tiller — Stamped "X"
22	20476	Latch Grip	64	75215	R.H. Tine & Hub Weld Assembly
23	9X8	Shoulder Bolt ⅝"-18X1½"	65	75045Z	Handle Bracket
24	75411Z	Clutch Lever	66	75492Z	Tine Support Bracket - R.H.
25	1X84	Hex Bolt ⅝"-18X1"	67	75491Z	Tine Support Bracket - L.H.
26	75336	Hair Pin	68	75213	L.H. Tine & Hub Weld Assembly
27	17X102Z	Washer	70	75409	Tine, Roto Tiller — Stamped "Z"
28	75427	Hitch Bracket Assembly	71	75418	Tine Hub Weld Assy. Left Outside
29	75430	Spring — Depth	72	30X20	Cotter Pin
30	15X88	Flange Locknut ⅝"-18	73	75485Z	Rear Guard Connecting Pin
31	75452Z	Skid Plate Pin	74	1X38	Hex Bolt ¼"-20X⅝"
32	26X214	Screw	75	75488Z	Axle Assembly
33	404064	Belt Guard & Throttle Control Assy.	76	75495Z	Tine Support Assembly
34	20339	Knob — Throttle Control	77	75046Z	Handle Clamp
35	11X7	Retainer Ring	78	1X75	Hex Bolt ⅝"-18X1¾"
36	21410	Input Pulley	79	75484	Rear Guard Assembly
37	9X15	Shoulder Bolt ⅜"-16X7/8"	*	F-5662	Owner's Manual
38	75415Z	Clutch Rod Assembly		75461	Parts Bag Assembly Complete
39	28X42	Push On Cap		75462	Parts Bag Assembly Hardware
40	15X43Z	Stover Locknut ⅝"-18			
41	75412Z	Clutch Control Bracket			

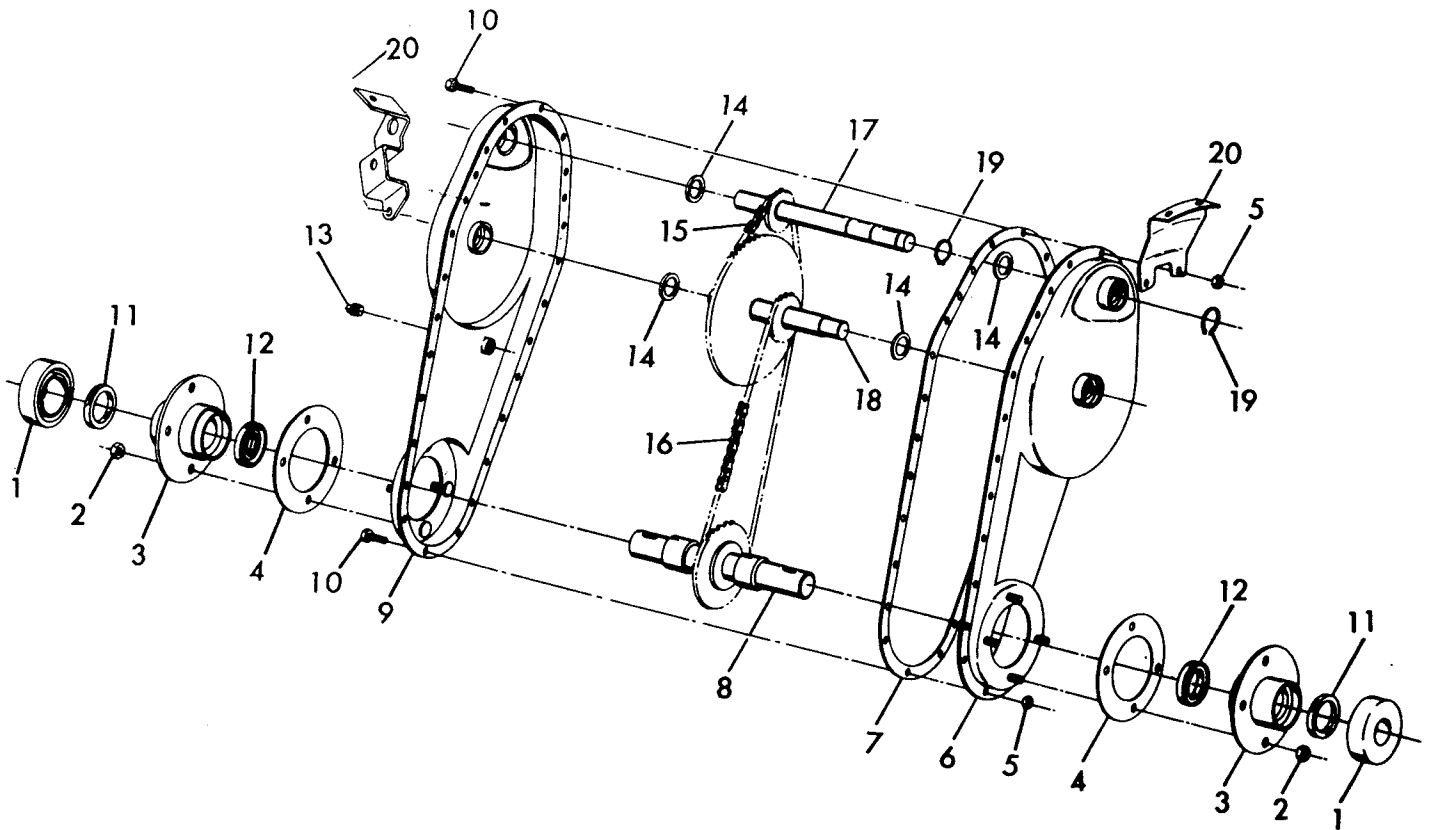
\*Not Illustrated

†NOTE: The Model, Type and Code Number of your Engine is stamped on the Blower Housing. Replacement parts may be obtained from the nearest Briggs & Stratton Service Center listed in the yellow pages of the Telephone Directory.

\*\*For service to the transmission see your nearest authorized service center by the manufacturer of this unit listed in the yellow pages of the Telephone Directory.

Transmission Parts List, page 98.

**MODEL 75206 TRANSMISSION FOR 81-13020**  
**MODEL 75406 TRANSMISSION FOR 81-13360**



KEY NO.	MODEL NO. 75206	MODEL NO. 75406	DESCRIPTION
1	75014	75014	Dust Cap
2	15X88Z	15X88	Flange Locknut (.31-18NC)
3	75179	75179	Flange and Bearing Assembly
4	75015	75015	Flange Gasket
5	15X89Z	15X89	Flange Locknut (.25-20NC-2)
6	75033	75432	Left Hand Drive Housing and Bearing Assembly
7	75030	75030	Drive Housing Gasket
8	75204	75404	Tine Shaft Assembly
9	75032	75433	Right Hand Drive Housing and Bearing Assembly
10	1X38Z	1X38	Hex Bolt (.25-20NCX.625 Grade 5)
11	75013	75013	Felt Washer
12	75029	75029	Rubber Seal
13	75088	75088	Pipe Plug
14	75031	75031	Thrust Washer
15	75115	75115	Chain and Link Assembly
16	75114	75114	Chain and Link Assembly
17	75139	75017	Input Shaft Assembly
18	75016	75016	Idler Shaft Assembly
19	11X7	11X7	Retainer Ring (.625 D Shaft)
20	75104	75442	Bracket, Belt Guide & Idler
21	1X95	1X95	Hex Bolt 1/4"-26X7/8"