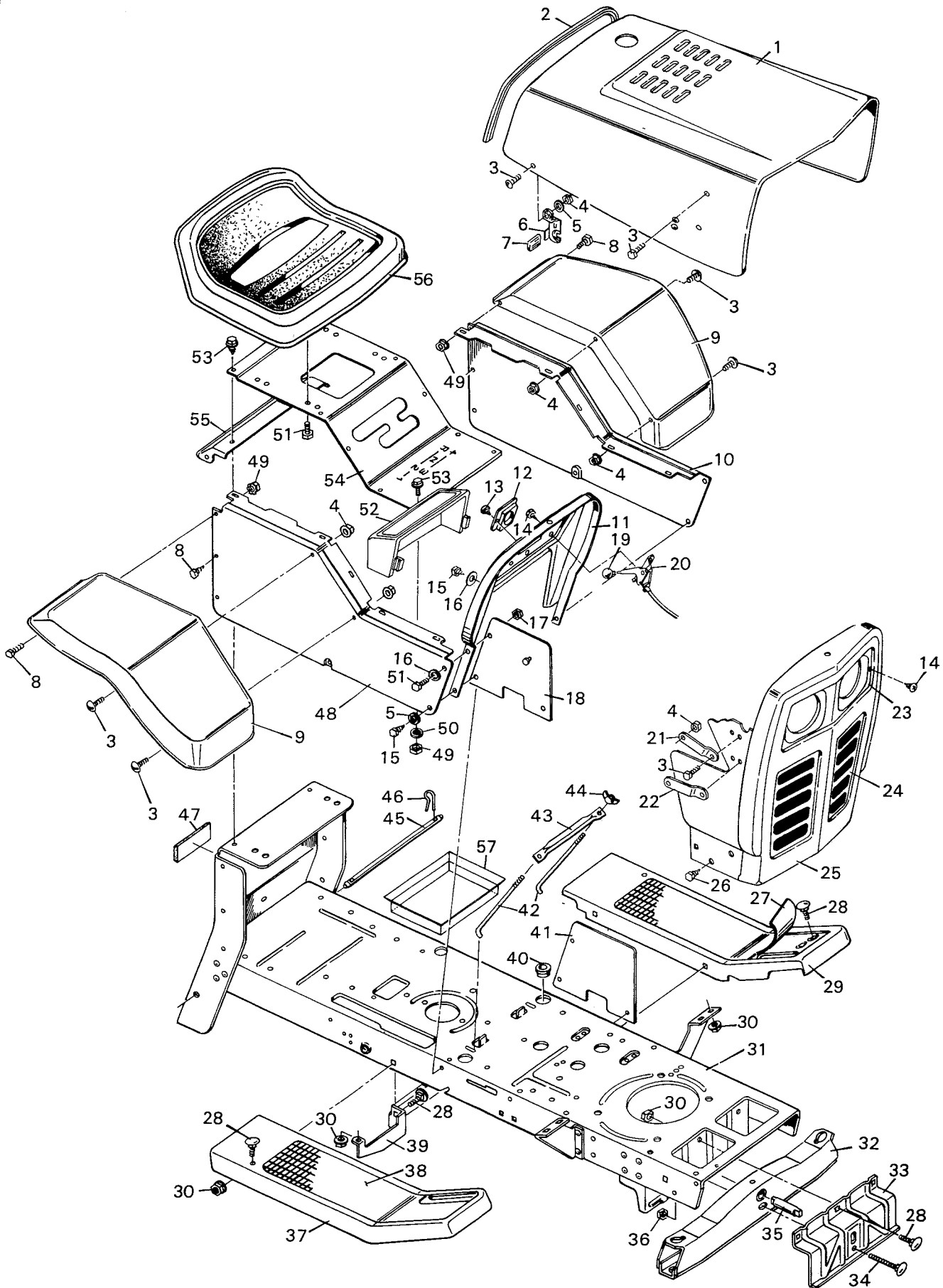


MODEL 0-4169

BODY PARTS ASSEMBLY



MODEL 0-4169

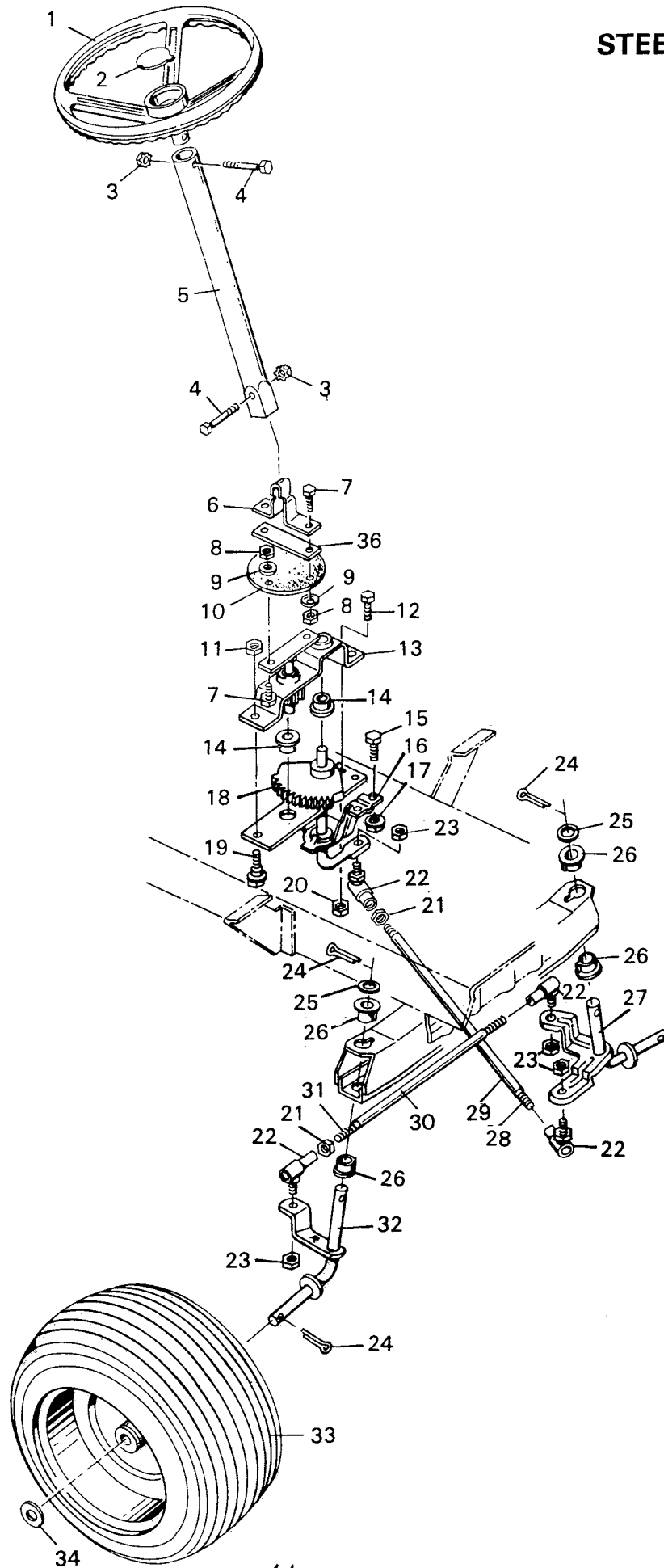
BODY PARTS ASSEMBLY

PARTS LIST

Key No.	Part No.	Description	Key No.	Part No.	Description
1	24084	Hood Assembly	29	23015	Running Board - L.H.
2	21765	Edge Trim	30	15X79Z	Flange Nut 5/16"-18
3	4X67	Bolt # 10-24X3/4"	31	402045	Frame Assembly
4	15X81	Hex Nut # 10-24	32	21441	Front Axle Assembly
5	17X17Z	Washer I.D. 13/64"	33	21534	Front Axle Hanger
6	403040	Hood Latch R.H.	34	2X60	Carriage Bolt 3/8"-16X3/8"
	403041	Hood Latch L.H.	35	21469	Pivot Pin
7	21434	Grip	36	15X84Z	Hex Nut 3/8"-16
8	1X38Z	Bolt 1/4"-20X5/8"	37	23014	Running Board - R.H.
9	23006	Fender	38	21568	Running Board Mat - R.H.
10	23399	Side Panel - L.H.	39	23038	Running Board Support
11	23970	Control Panel	40	21268	Grommet
12	21707	Steering Post Bearing	41	24239	Side Plate - L.H.
13	26X186	Screw # 10X1/2" Type AB	42	21762Z	Battery Clamp Rod
14	26X159	Screw # 8X3/8" Type A	43	21761Z	Battery Clamp
15	26X197	Screw 5/16"-3/4" Type A	44	14X81	Wing Nut
16	17X47Z	Washer I.D. 11/32"	45	23054	Draw Bar
17	15X79Z	Flange Nut 5/16"-18	46	31X1	Hair Pin
18	23292	Side Plate - R.H.	47	23069	Reflector
19	20339	Knob	48	23398	Side Panel - R.H.
20	24011PA	Throttle Control	49	15X66	Keps Nut 1/4"-20
21	23046	Pivot Bar	50	17X37Z	Washer I.D. 17/64"
22	23088	Pivot Bar Assembly	51	1X45Z	Bolt 5/16"-18X5/8"
23	23303C	Headlite Retainer	52	23993	Battery Cover
24	23302C	Grille Insert	53	26X195	Screw 1/4"X1/2" Type AB
25	23307	Grille Assembly	54	23397	Top Panel
26	26X202	Screw 3/8"X5/8" Type AB	55	23026	Rear Insert
27	21569	Running Board Mat - L.H.	56	23884	Seat
28	2X53	Carriage Bolt 5/16"-18X5/8"	57	24157	Battery Tray

MODEL 0-4169

STEERING SECTION

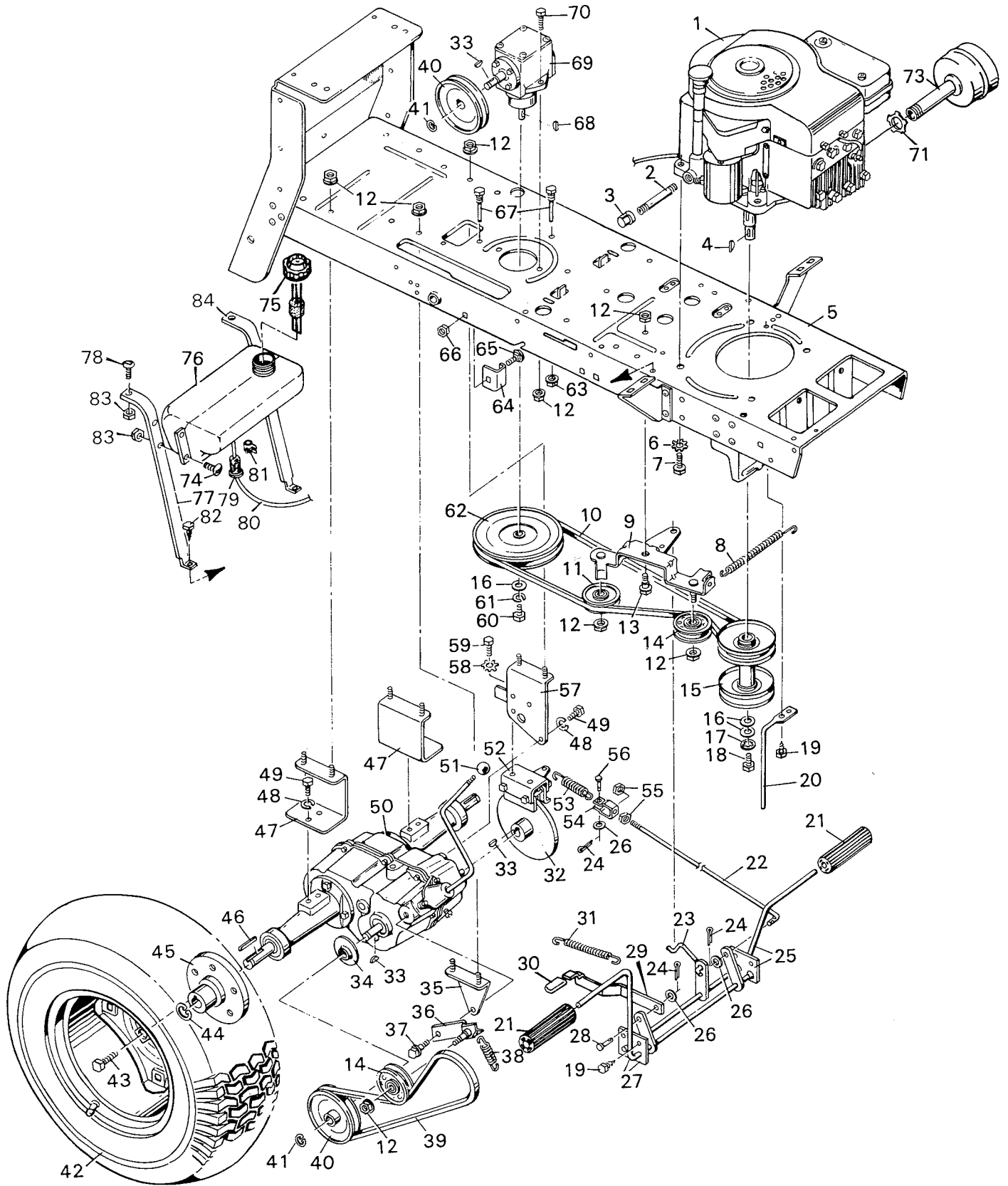


MODEL 0-4169

Key No.	Part No.	Description
1	21688	Steering Wheel
2	21303	Steering Wheel Cap
3	15X76	Locknut 5/16"-18
4	1X75	Bolt 5/16"-18X1-3/4"
5	21486C	Steering Post
6	21489	Steering Coupling
7	1X95	Hex Bolt 1/4"-20X7/8"
8	15X67	Locknut 1/4"-20
9	23039	Cup Washer
10	21532	Steering Disc
11	15X84Z	Locknut 3/8"-16
12	1X45Z	Hex Bolts 5/16"-18X5/8"
13	21492	Steering Gear Bracket Assembly
14	20587	Bearing
15	1X45Z	Hex Bolt 5/16"-18X5/8"
16	21693	Steering Bracket
17	15X79Z	Locknut 5/16"-18
18	21692	Steering Gear Assembly
19	9X12	Shoulder Bolt
20	15X88Z	Locknut 5/16"-18
21	15X61Z	Hex Nut 3/8"-24
22	21031	Ball Joint
23	15X87Z	Locknut 3/8"-24
24	30X49	Cotter Pin 1-1/2"
25	17X83Z	Washer
26	23820	Spindle Bearing
27	23149	Spindle Assembly L.H.
28	21482	Drag Link
29	156X1	Sleeve
30	156X2	Sleeve
31	21475	Tie Rod
32	23148	Spindle Assembly R.H.
33	23400	Wheel & Tire
*	407225	Wheel Only
*	403058	Tire Only
*	400162	Valve Stem & Cap
*	403056	Front Wheel Bearing
34	17X83Z	Washer
35	400239	Grease Fitting
36	21490	Steering Bracket
	24151	Parts Bag Assembly
	F-4908	Owners Manual

MODEL 0-4169

DRIVE ASSEMBLY



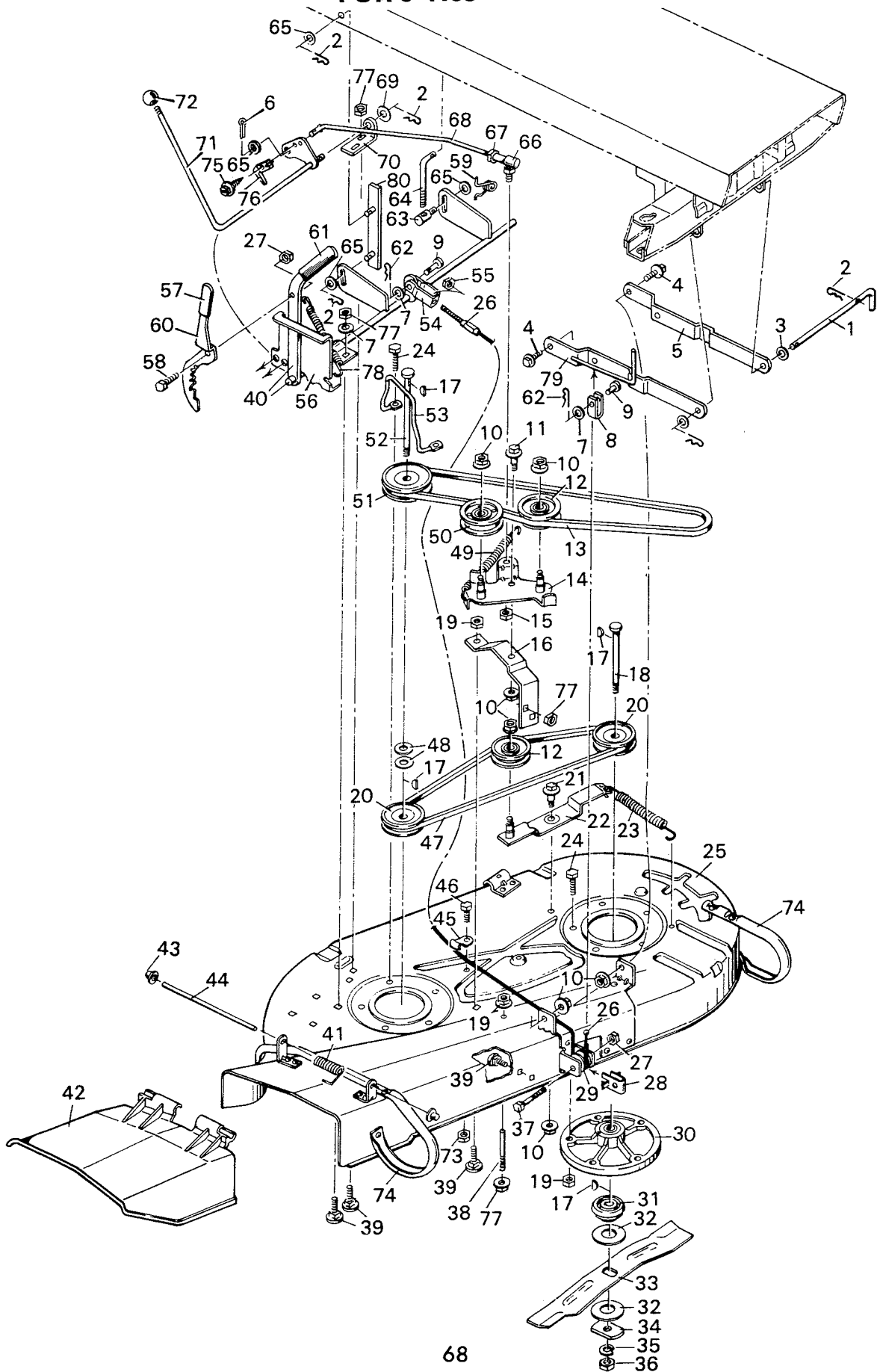
MODEL 0-4169

Key No.	Part No.	Description	Key No.	Part No.	Description
1	-----	Engine 11 H.P.	*	407228	Tire Only
2	21652	Oil Drain Extension	*	400162	Valve Stem & Cap
3	21651	Cap	43	1X80	Hex Bolt 7/16"-20X1"
4	20062	Woodruff Key # 6	44	11X6	Retainer Ring
5	402045	Frame Assembly	45	23020	Wheel Hub
6	19X8	Lockwasher	46	24039	Key
7	20103	Engine Bolt 3/8"-16X1"	47	23005	Transaxle Bracket
8	23724	Spring - Drive Idler	48	18X31	Lockwasher
9	21428	Idler Bracket	49	1X85Z	Hex Bolt 3/8"-16X3/4"
10	23098	Drive Belt	50	-----	Transaxle*
11	20613	Idler Pulley	51	20844	Knob
12	15X84Z	Locknut 3/8"-16	52	23019	Caliper Brake
13	9X12	Shoulder Bolt 3/8"-16X7/8"	53	21675	Brake Spring
14	21409	Idler Pulley	54	21915	Adjusting Clevis
15	23725Z	Stack Pulley	55	15X2	Hex Nut 5/16"-18
16	10851Z	Washer	56	29X93	Clevis Pin
17	19X39	Shakeproof Washer	57	23023	Transaxle Bracket - L.H. Front
18	1X20	Hex Bolt 3/8"-24X1"	58	19X6	Shakeproof Washer
19	26X49	Screw 5/16"-X1/2" Type B	59	1X63	Hex Bolt 5/16"-24X5/8"
20	23789Z	Belt Guide	60	1X45Z	Hex Bolt 5/16"-18X5/8"
21	21544	Pedal	61	18X15	Lockwasher
22	23032	Brake Rod	62	23052	Drive Pulley
23	21681	Clutch Link Rod	63	15X84Z	Flange Locknut 3/8"-16
24	30X20	Cotter Pin	64	23047	Belt Guide (L-Bracket)
25	21950	Clutch Lever Assembly	65	2X53	Carriage Bolt 5/16"-18X5/8"
26	17X47Z	Washer I.D. 11/32"	66	15X79Z	Locknut 5/16"-18
27	21947	Brake Assembly	67	20619	Belt Guide Screw
28	29X95	Clevis Pin	68	21539	Woodruff Key # 61
29	24202Z	Parking Brake Arm	69	-----	Right Angle Drive* *
30	24235	Grip	70	1X97	Hex Bolt 3/8"-16X1-1/4"
31	20682	Spring - Drive Idler	71	21616	Locknut
32	23013	Disc & Hub Assembly	73	23343	Muffler
33	20697	Woodruff Key # 9	74	1X38Z	Hex Bolt
34	23041Z	Extruded Washer	75	24064	Gas Cap
35	23022	Transaxle Bracket - R.H. Front	76	23300	Remote Gas Tank
36	23044Z	Idler Assembly	77	23910	Gas Tank Support R.H.
37	9X12	Shoulder Bolt	78	2X67	Carriage Bolt
38	23067	Idler Spring	79	23712	Filter
39	23072	Right Angle Drive - Belt	80	23715	Fuel Line
40	23051	Pulley	81	23713	Hose Clamp
41	11X5	Retainer Ring	82	26X197	Screw
42	23320	Wheel & Tire	83	15X89Z	Keps Nut 1/4"-20
*	407226	Wheel Only	84	23911	Gas Tank Support - L.H.

* Note: Complete illustration of transaxle shown on pages 84 and 85.

* * Note: Complete illustration of right angle drive shown on page 79.

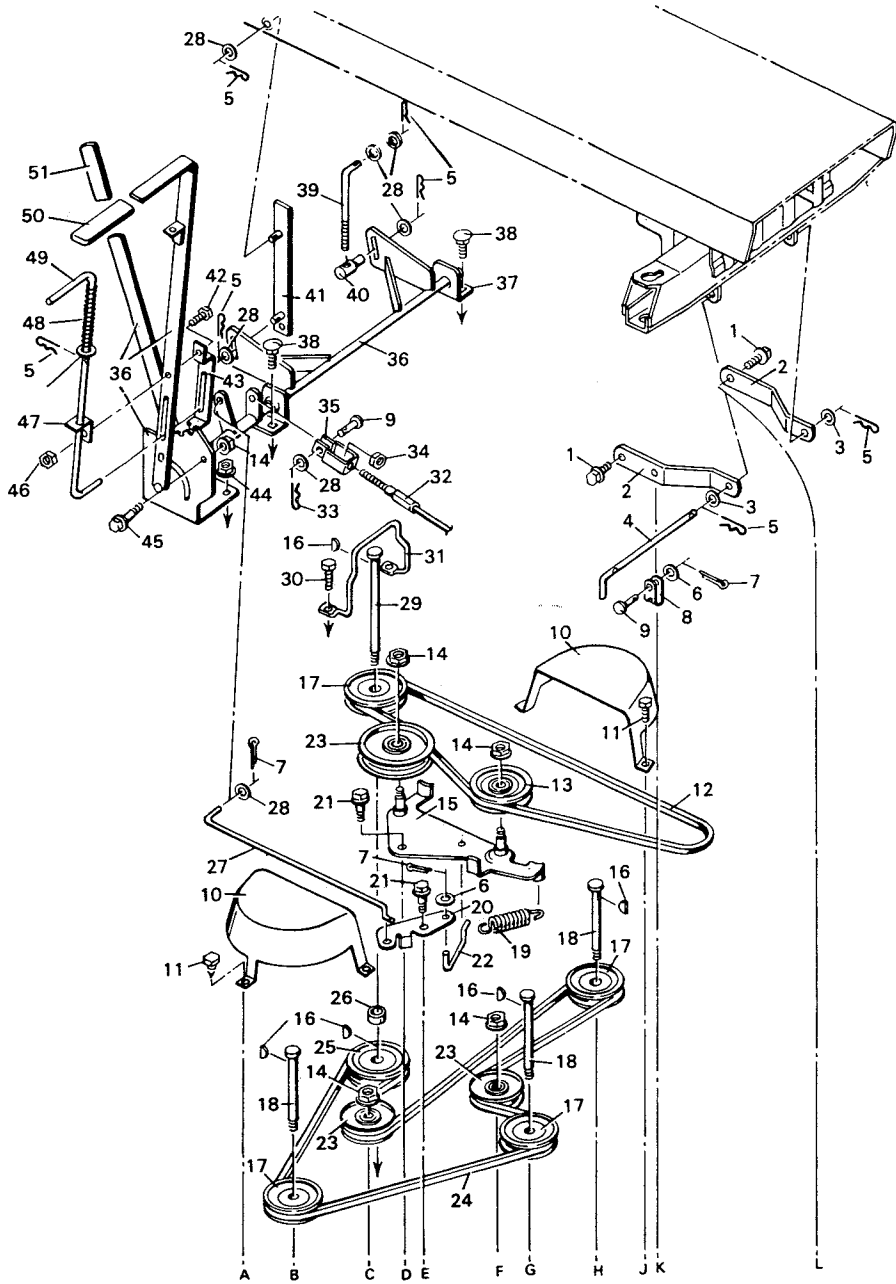
**MODEL 0-3600
36" MOWER ATTACHMENT
FOR 0-4169**



MODEL 0-3600

Key No.	Part No.	Description	Key No.	Part No.	Description
1	21912Z	Pull Pin	42	21154	Chute Deflector
2	20692	Cotter Hair Pin	43	28X23	Push-On-Cap
3	17X57Z	Washer	44	21198Z	Deflector Rod
4	9X14	Shoulder Bolt	45	21953Z	Cable Guide
5	21911	Support Arm L.H.	46	1X38Z	Bolt 1/4"-20X5/8"
6	30X20	Cotter Pins	47	20557	Cross Drive Belt
7	17X47Z	Washer	48	17X87Z	Washers
8	24073	Clevis	49	24074	Idler Spring
9	29X93	Clevis Pin	50	21409	Idler Pulley
10	15X84Z	Flange Locknut 3/8"-16	51	23538	Jackshaft Pulley
11	9X12	Shoulder Bolt 3/8"-16X7/8"	52	21024	Jackshaft - Long
12	20613	Idler Pulley	53	23769Z	Belt Guide
13	23882	Blade Drive Belt	54	21915Z	Adjusting Clevis
14	23793	Blade Drive Idler Assembly	55	15X2	Hex Nut 5/16"-18
15	15X84Z	Locknut 3/8"-24	56	21500	Lifter Bracket
16	21496	Idler Support Bracket	57	20476	Lifter Latch Grip
17	20062	Woodruff Key # 6	58	6X46	Shoulder Screw
18	20616	Jackshaft - Short	59	23139Z	Torsion Spring
19	15X88Z	Flange Locknut 5/16"-18	60	21591Z	Lifter Latch
20	21022	Jackshaft Pulley	61	21249	Lifter Grip
21	9X15	Shoulder Bolt	62	20692	Cotter Hair Pin
22	21139Z	Twin Blade Idler Bracket Assembly	63	21920	Adjusting Nut
23	20682	Cross Drive Idler Spring	64	21919Z	Adjusting Rod
24	1X84Z	Bolt 5/16"-18X1"	65	17X53Z	Washer
25	21907	Blade Housing Assembly	66	21031	Ball Joint
26	21913	Lifter Cable	67	15X61Z	Hex Nut 3/8"-24
27	15X67	Hex Nut 1/4"-20	68	23792	Link Rod
28	21917Z	Cable Guide	69	17X67Z	Washer
29	21916	Nylon Pulley	70	20934	Scissors Bracket R.H.
30	20551	Jackshaft Housing Assembly	71	23915C	Blade Drive Lever Assembly
31	20617	Blade Adapter	72	20739	Lever Knob
32	21673Z	Washer	73	15X66	Hex Nut 1/4"-20
33	20930	Blade	74	404015	Skid Set
34	20663Z	Blade Washer	75	26X211	Screw 1/4"-1/2"
35	18X27	Lockwasher	76	24527	Limit Switch
36	15X72	Hex Nut 1/2"-20	77	15X79Z	Flange Nut
37	1X90	Bolt 1/4"-20X1-3/4"	78	20682	Lifter Latch Spring
38	24178	Belt Guide	79	23256	Support Arm Assembly R.H.
39	2X53	Carriage Bolt	80	23252Z	Hanger Bracket Assembly R.H.
40	21906	Lifter Assembly		23086	Parts Bag Assembly
41	21189	Torsion Spring		F-4570	Owners Manual
				23984	Jumper Wire (Not Illustrated)

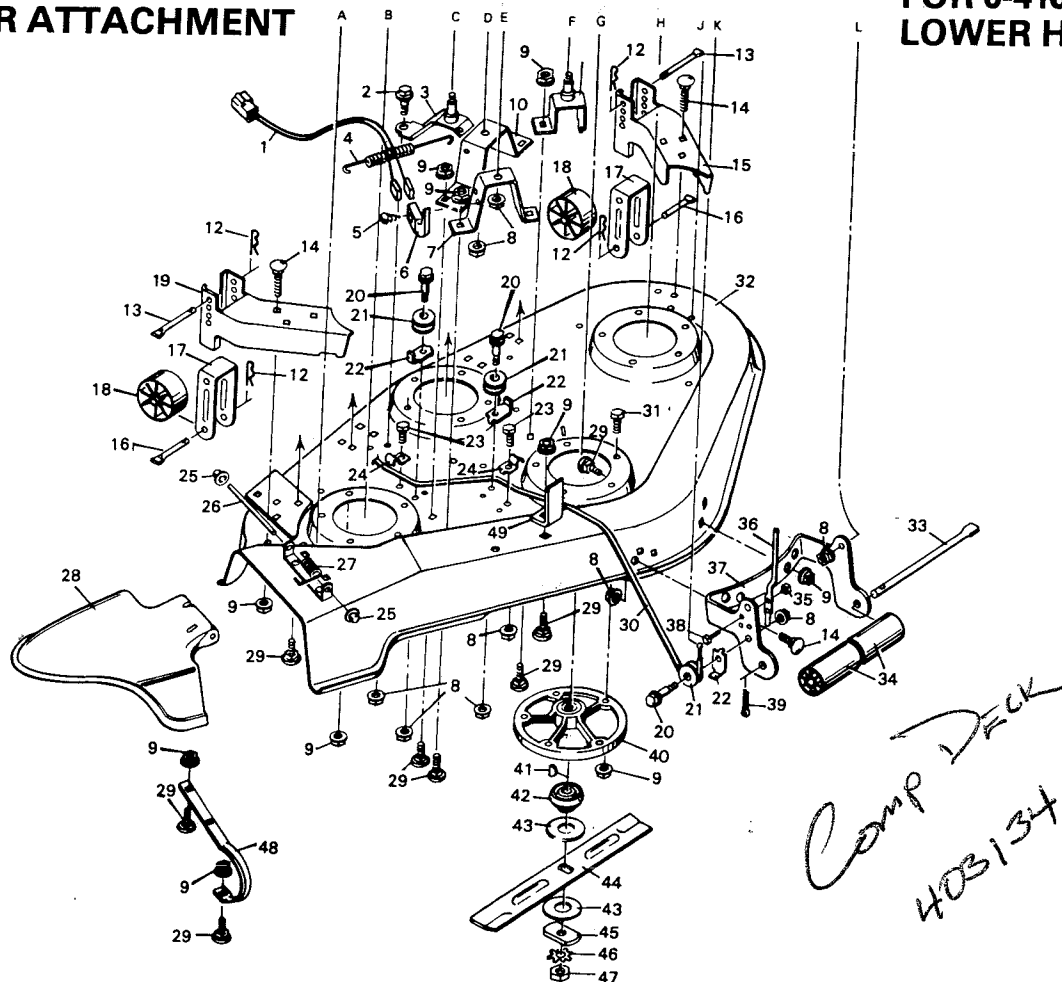
**MODEL 0-4200
42" MOWER ATTACHMENT
FOR 0-4166 & 0-4169
TOP HALF**



Key No.	Part No.	Description
1	9X14	Shoulder Bolt
2	23185	Support Arm
3	17X57Z	Washer I.D. 15/32"
4	21912Z	Pull Pin
5	20692	Hair Pin
6	17X47Z	Washer I.D. 11/32"
7	30X20	Cotter Pin
8	24073Z	Clevis
9	29X93	Clevis Pin
10	23231	Pulley Cover
11	26X195	Screw 1/4"-X1/2" Type AB
12	23748	Blade Drive Belt
13	23211	Idler Pulley
14	15X84Z	Flange Locknut 3/8"-16
15	23179Z	Blade Drive Idler
16	20062	Woodruff Key
17	20615	Pulley
18	20616	Jackshaft
19	24074	Spring - Blade Drive
20	23226Z	Engagement Link
21	9X12	Shoulder Bolt 3/8"-16X7/8"
22	23228Z	Engagement Link Rod
23	23238	Backside Idler Pulley
24	23749	Cross Drive Belt
25	23739	Jackshaft Pulley
26	23213Z	Spacer
27	23232Z	Link Rod
28	17X53Z	Washer I.D. 13/32"
29	23180	Jackshaft
30	1X84Z	Hex Bolt 5/16"-18X1"
31	23751Z	Belt Guide
32	24072	Lifter Cable
33	20692	Hair Pin
34	15X2	Hex Nut 5/16"-18
35	21915Z	Adjusting Clevis
36	24260	Lifter Assembly
37	23184	Lifter Support
38	2X53	Carriage Bolt 5/16"-18X3/4"
39	23824Z	Adjusting Rod
40	21920	Adjusting Nut
41	23204Z	R.H. Mounting Bracket
42	1X95	Hex Bolt 1/4"-20X7/8"
43	23192Z	Guide Bracket
44	15X88Z	Flange Nut 5/16"-18
45	9X13	Shoulder Bolt 3/8"-16
46	15X66	Keps Nut 1/4"-20
47	23193Z	Guide Bracket
48	23221Z	Lifter Spring
49	23194Z	Lifter Latch
50	23222	Lifter Grip
51	21249	Engagement Lever Grip

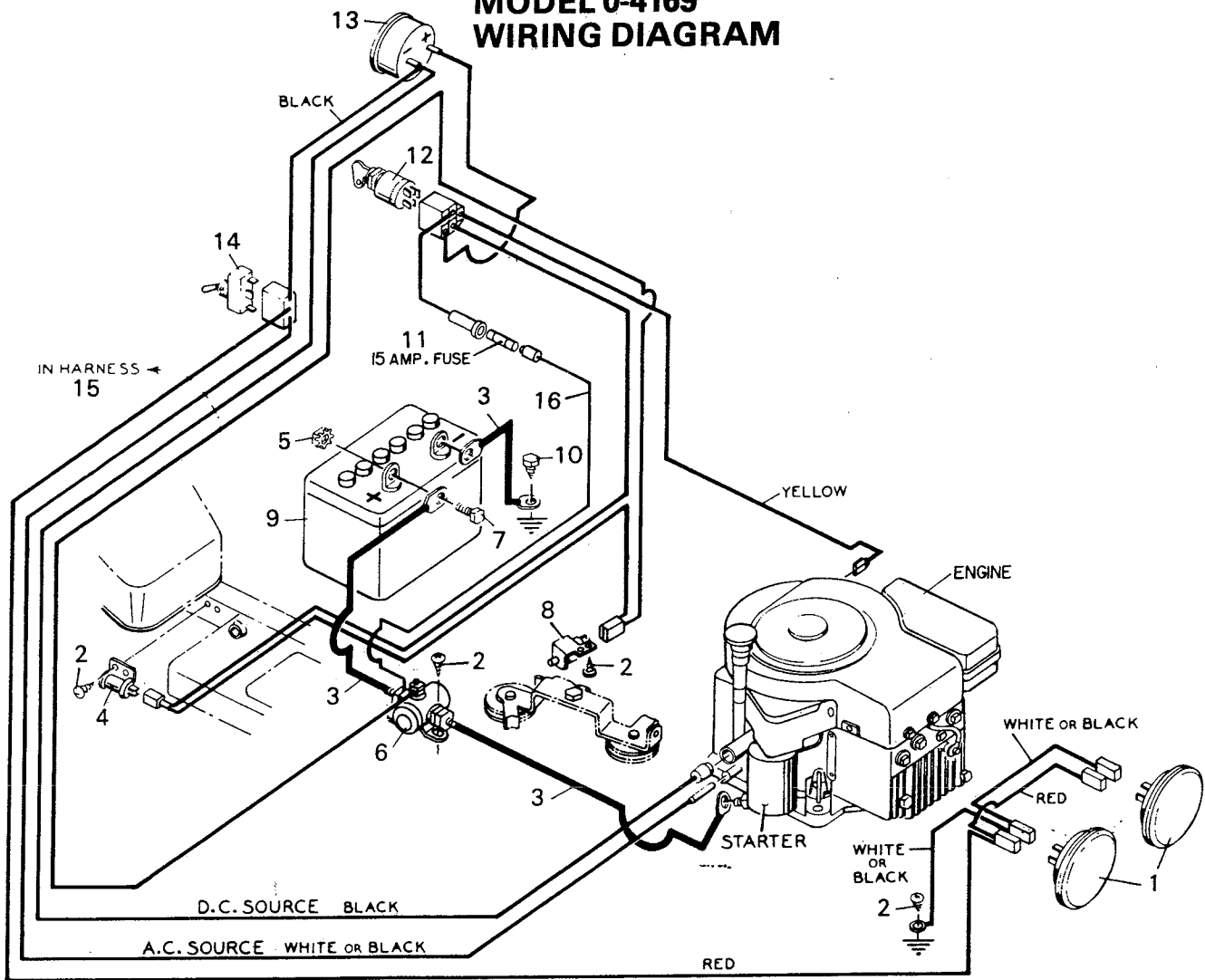
**MODEL 0-4200
42" MOWER ATTACHMENT**

**FOR 0-4166 & 0-4169
LOWER HALF**



Key No.	Part No.	Description	Key No.	Part No.	Description
1	23983	Jumper Wire	27	21189	Torsion Spring
2	9X15	Shoulder Bolt 3/8"-16X7/8"	28	23224	Chute Deflector
3	23178Z	Cross Drive Idler Assembly	29	2X53	Carriage Bolt 5/16"-18X3/4"
4	23750	Spring - Cross Drive	30	24072	Lifter Cable
5	26X211	Screw # 8X1" Type AB	31	1X84Z	Hex Bolt 5/16"-18X3/4"
6	24527	Limit Switch	32	24307	Blade Housing Assembly
7	23241	Engagement Link Support	33	23186Z	Roller Axle
8	15X84Z	Flange Locknut 3/8"-16	34	23203	Roller
9	15X88Z	Flange Locknut 3/8"-16	35	15X89Z	Flange Locknut 1/4"-20
10	23240	Idler Support	36	23790Z	Belt Guide - 11 hp. 0-4169
11	23177	Fixed Idler Assembly	*	24071Z	Belt Guide - 16 hp. 0-4166
12	20692	Cotter Hair Pin	37	24009	Roller Support
13	23259Z	Gauge Wheel Axle - Long	38	1X95	Hex Bolt 1/4"-20X7/8"
14	2X58	Carriage Bolt 5/16"-18X2-1/2"	39	30X49	Cotter Pin
15	23279	L.H. Gauge Wheel Bracket	40	20551	Jackshaft Housing
16	23258Z	Gauge Wheel Axle - Short	41	20062	Woodruff Key
17	23260Z	Gauge Wheel Retainer	42	20617	Blade Adapter
18	23257	Gauge Wheel	43	21673Z	Washer
19	23278	R.H. Gauge Wheel Bracket	44	23209	Blade
20	9X13	Shoulder Bolt	45	20663Z	Blade Washer
21	23187	Nylon Pulley	46	18X27	Lockwasher
22	23191Z	Cable Guide	47	15X72	Hex Nut 1/4"-20
23	26X195	Screw 1/4"X1/2" Type AB	48	24070	Skid
24	21953Z	Cable Guide	49	23782	Stop Clip
25	28X23	Push-On-Cap		23242	Parts Bag
26	23173Z	Deflector Rod		F-4571	Owners Manual

MODEL 0-4169 WIRING DIAGRAM



Key No.	Part No.	Description
1	20837	Seal Beam Light
2	26X185	Screw # 10-3/8" Type AB
3	24X9	Battery Cable Wire
4	23029	Dummy Switch
5	15X66	Keps Nut 1/4"-20
6	21261	Solenoid
7	1X38Z	Bolt 1/4"-20X5/8"
8	21549	Limit Switch
9	21075	Battery
10	26X174	Screw 5/16"X3/8" Type B
11	23752	Fuse 15 Amp.
12	21064PA	Switch & Key
12A	20729	Key Only
13	21057PA	Ammeter Assembly
14	21686PA	Light Switch
15	24069	Wiring Harness
16	23834	Fuse Wire
*	21079	Electrolyte
*	21980	Wire Clamp

* Not Illustrated.