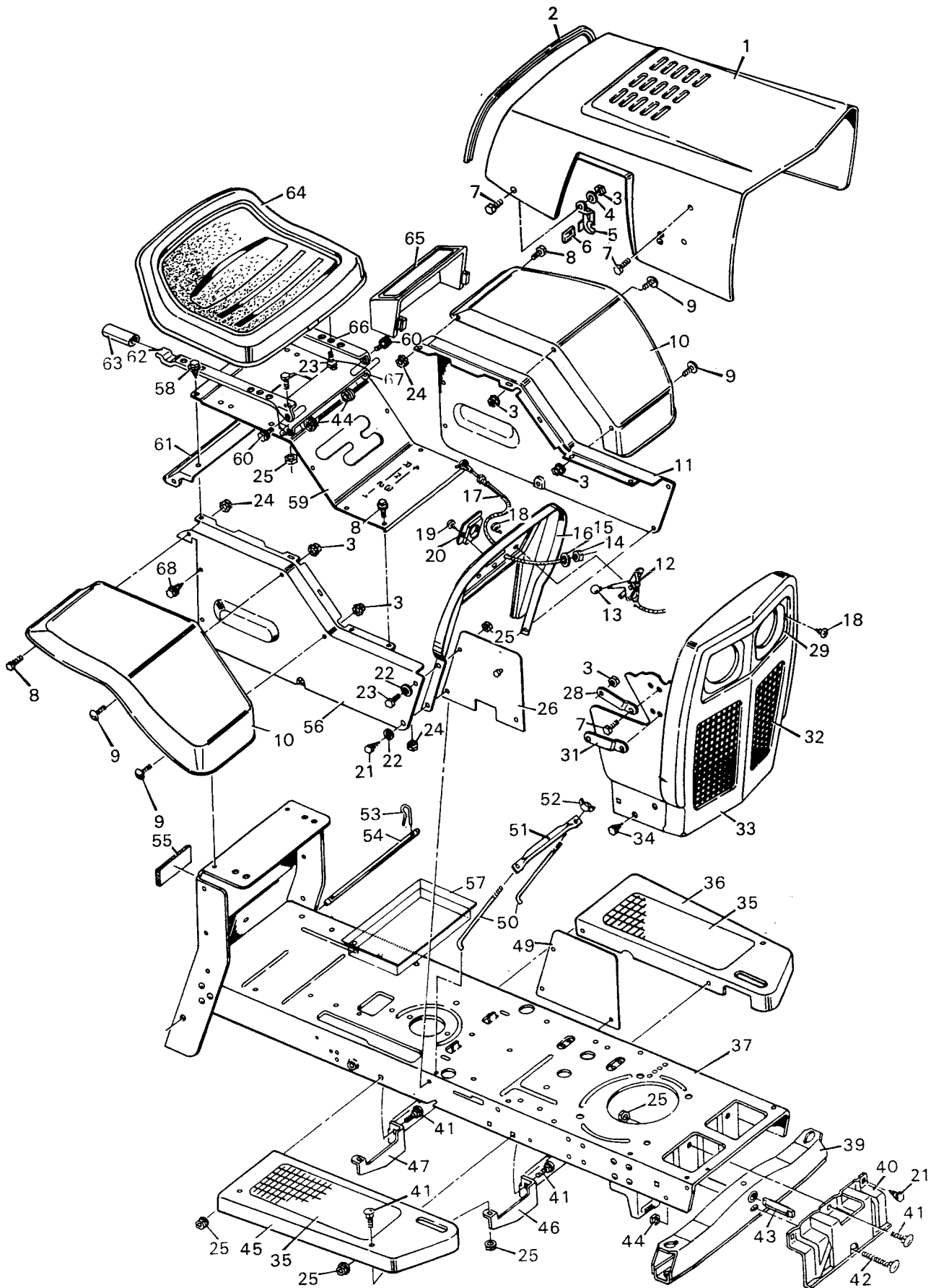


MODEL 0-4166

BODY PARTS ASSEMBLY



MODEL 0-4166

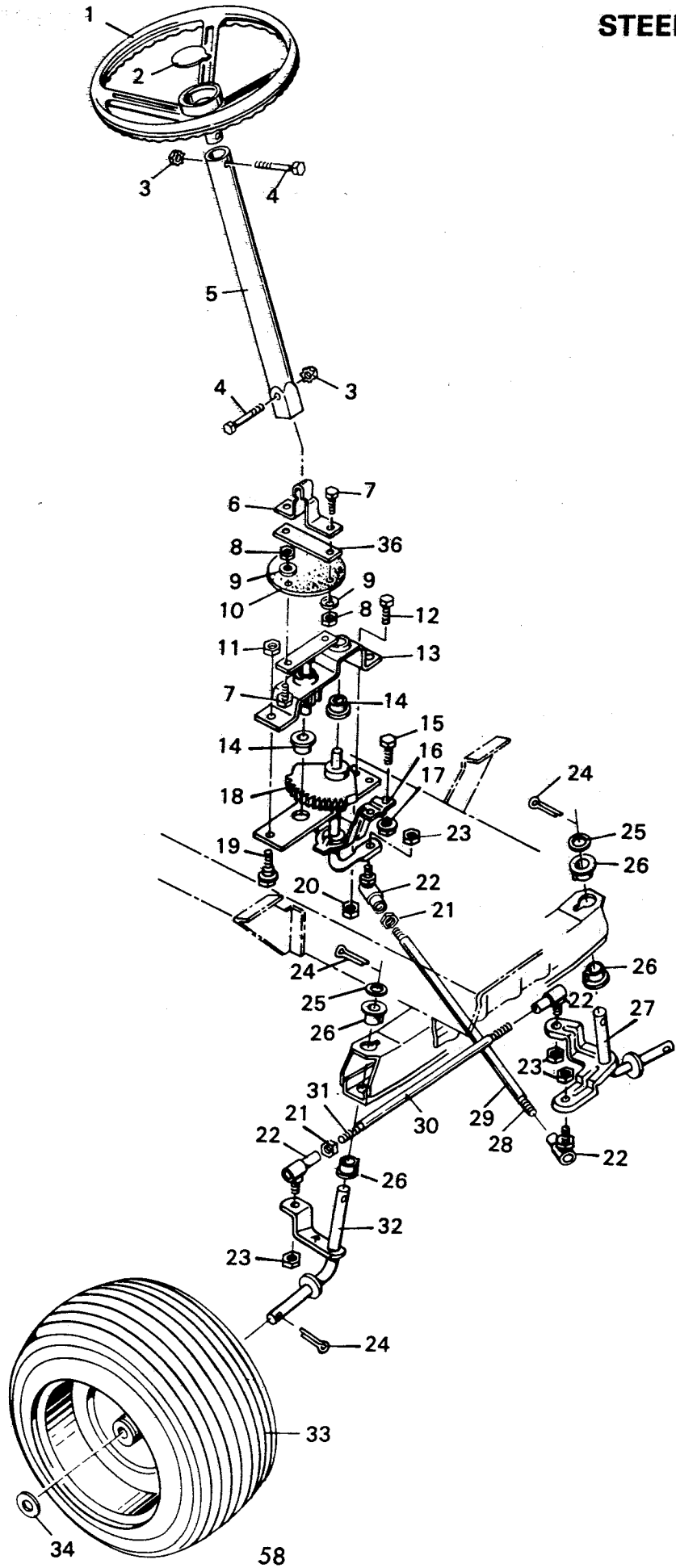
BODY PARTS ASSEMBLY

PARTS LIST

Key No.	Part No.	Description	Key No.	Part No.	Description
1	24087	Hood Assembly	34	26X202	Hex Washer Screw 3/8"X5" Type AB
2	21765	Edge Trim	35	21710	Rubber Mat
3	15X81	Hex Nut # 10-24	36	23823	Running Board - L.H.
4	17X17Z	Flat Washer I.D. - 1/4"	37	402044	Frame Channel Assembly
5	403040	R.H. Hood Latch	39	21441	Front Axle Assembly
	403041	L.H. Hood Latch	40	23845	Axle Hanger Assembly
6	21434	Hood Latch Grip	41	2X53	Carriage Bolt 5/16"-18X3/4"
7	4X24	Machine Screw # 10-24X1/4"	42	2X60	Carriage Bolt 3/8"-16X3
8	1X38Z	Hex Bolt 1/4"-20X3/8"	43	21469	Pivot Pin
9	4X67	Machine Screw # 10-24X3/4"	44	15X84Z	Flange Locknut 3/8"-16
10	23006	Fender	45	23936	Running Board Mat - R.H.
11	23399	Side Panel - L.H.	46	24105	Running Board Support
12	23844PA	Throttle Control	47	23038	Running Board Support Assembly
13	20399	Control Knob	49	24239	Side Plate- L.H.
14	15X33	Hex Nut 3/8"-24	50	21762Z	Battery Clamp Rod
15	18X31	Spring Lockwasher I.D. - 3/8"	51	23779Z	Battery Clamp
16	23972	Control Panel	52	14X81	Wing Nut
17	23780	Choke Cable	53	31X1	Hair Pin
18	26X159	Tapping Screw # 8-18X3/8" Type A	54	23054	Drawbar
19	26X186	Screw # 10X1/2" Type AB	55	23069	Reflector
20	21707	Steering Post Bearing	56	23398	Side Panel - R.H.
21	26X197	Screw 5/16"X3/4" Type A	57	24156	Battery Tray
22	17X47Z	Washer I.D. 11/32"	58	26X213	Hex Screw
23	1X45Z	Hex Bolt 5/16"-18X5/8"	59	23397	Top Panel
24	15X66	Locknut 1/4"-20	60	9X12	Shoulder Bolt 3/8"-16X7/8"
25	15X88Z	Locknut 5/16"-18	61	23026	Rear Insert
26	23292	Side Plate - R.H.	62	24004E	Seat Hinge - R.H.
28	23046	Pivot Bar	63	22196	Seat Hinge Grip
29	23303C	Retainer - Headlite	64	23884	Seat
31	23088	Pivot Bar Assembly	65	23993	Battery Cover
32	24089E	Grille Screen	66	24005E	Seat Hinge - L.H.
33	23999	Grille Frame Assembly	67	24006E	Hinge Bracket
			68	26X195	Screw

MODEL 0-4166

STEERING SECTION

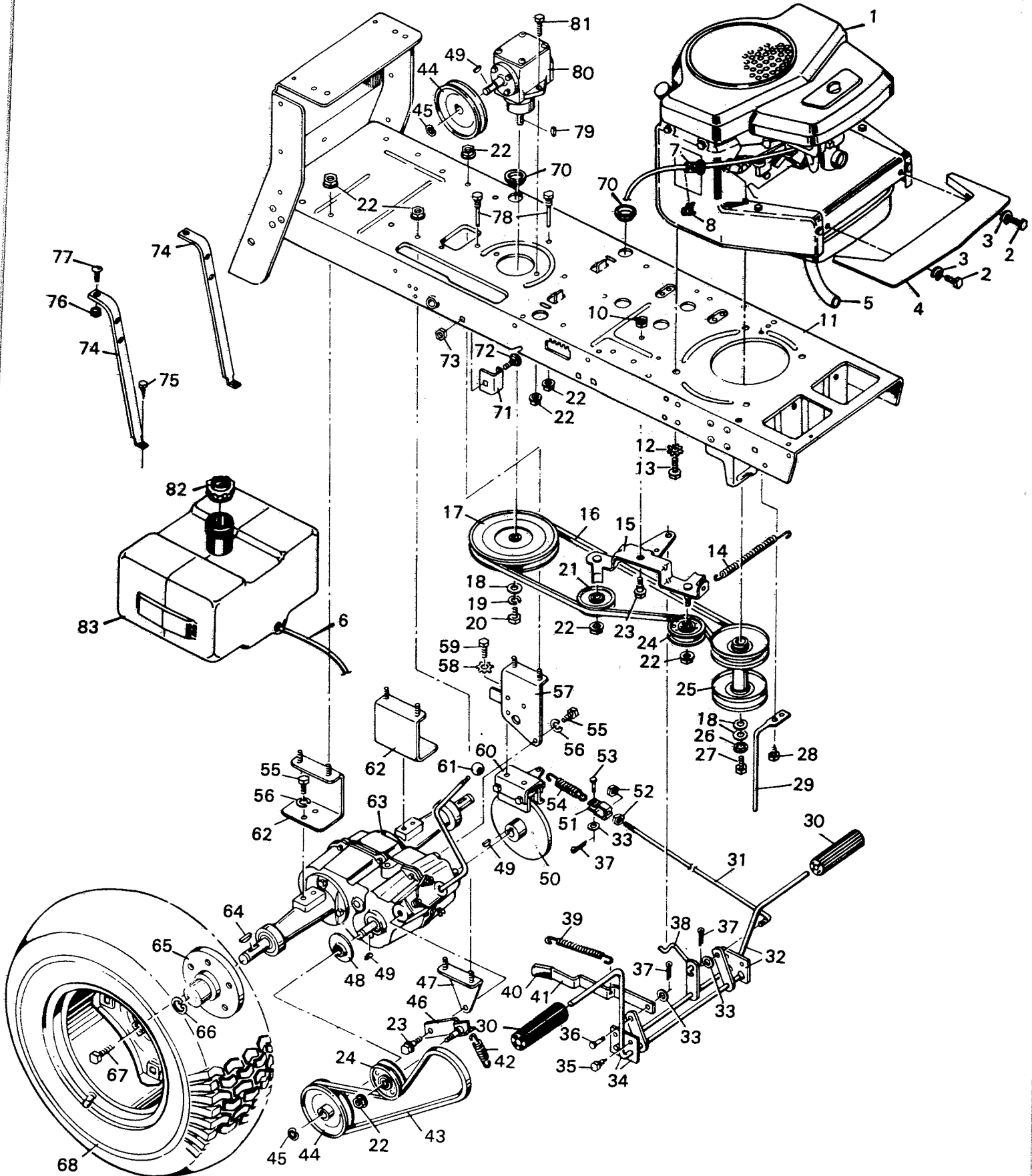


MODEL 0-4166

Key No.	Part No.	Description
1	21688	Steering Wheel
2	21303	Steering Wheel Cap
3	15X76	Locknut 5/16"-18
4	1X75	Bolt 5/16"-18X1-3/4"
5	21486C	Steering Post
6	21489	Steering Coupling
7	1X95	Hex Bolt 1/4"-20X7/8"
8	15X67	Locknut 1/4"-20
9	23039	Cup Washer
10	21532	Steering Disc
11	15X84Z	Locknut 3/8"-16
12	1X45Z	Hex Bolts 5/16"-18X5/8"
13	21492	Steering Gear Bracket Assembly
14	20587	Bearing
15	1X45Z	Hex Bolt 5/16"-18X5/8"
16	21693	Steering Bracket
17	15X79Z	Locknut 5/16"-18
18	21692	Steering Gear Assembly
19	9X12	Shoulder Bolt
20	15X88Z	Locknut 5/16"-18
21	15X61Z	Hex Nut 3/8"-24
22	21031	Ball Joint
23	15X87Z	Locknut 3/8"-24
24	30X49	Cotter Pin 1-1/2"
25	17X83Z	Washer
26	23820	Spindle Bearing
27	23149	Spindle Assembly L.H.
28	21482	Drag Link
29	156X1	Sleeve
30	156X2	Sleeve
31	21475	Tie Rod
32	23148	Spindle Assembly R.H.
33	23400	Wheel & Tire
*	407225	Wheel Only
*	403058	Tire Only
*	400162	Valve Stem & Cap
*	403056	Front Wheel Bearing
34	17X38Z	Washer
	400239	Grease Fitting (Not Shown)
36	21490	Steering Bracket
	21747	Parts Bag Assembly
	F-4939	Owners Manual

MODEL 0-4166

DRIVE SECTION

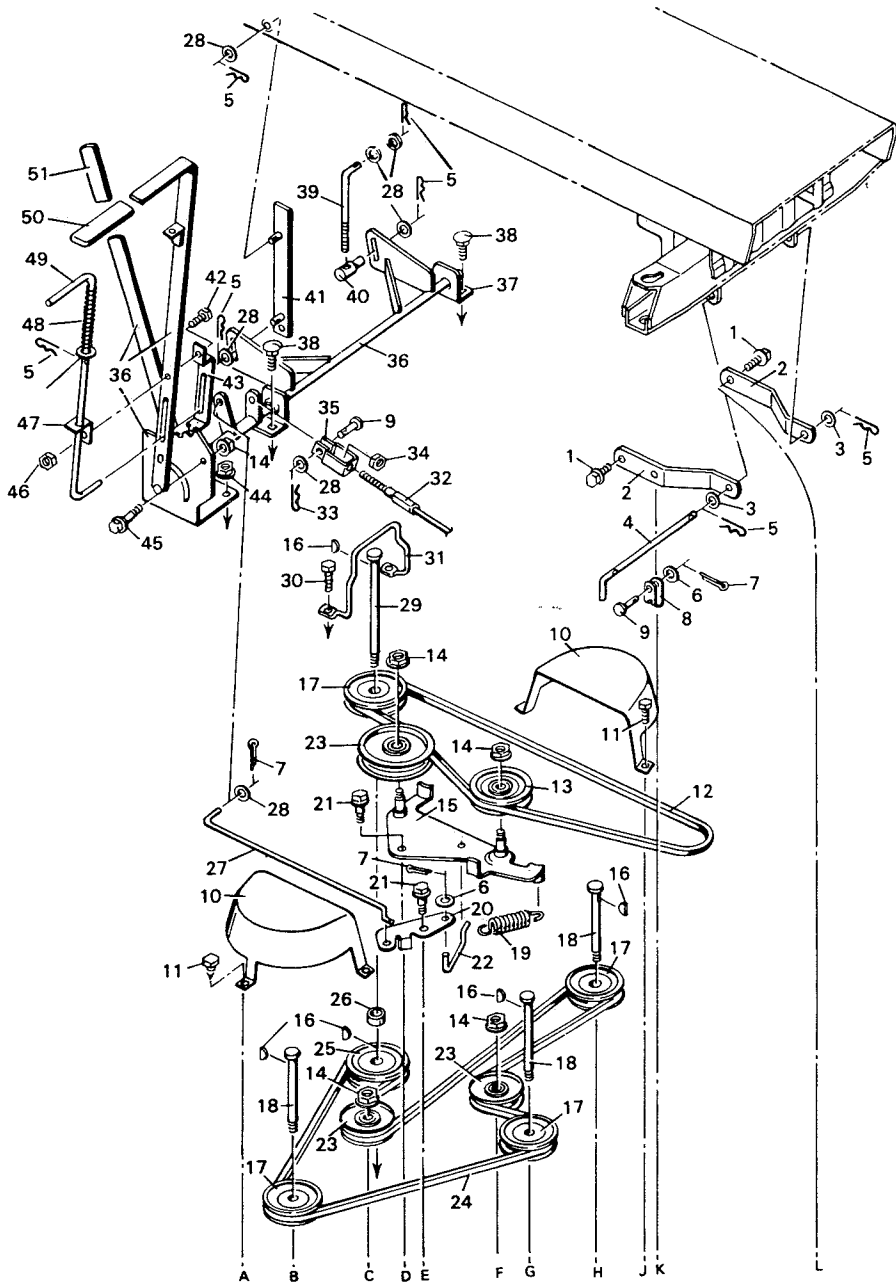


MODEL 0-4166

Key No.	Part No.	Description	Key No.	Part No.	Description
1	-----	Engine 16 hp. Briggs	44	23051	Pulley
2	1X38Z	Hex Bolt 1/4"-20X5/8"	45	11X5	Retaining Ring
3	18X32	Spring Lockwasher I.D. .255	46	23044Z	Idler Assembly
4	23869E	Baffle	47	23022	Transaxle Bracket - R.H. Front
5	23743E	Exhaust Pipe Assembly	48	23041Z	Extruded Washer
6	23714	Fuel Line - 34"	49	20697	Woodruff Key # 9
7	23712	Filter	50	23013	Disc & Hub Assembly
8	23713	Hose Clamp	51	21915	Adjusting Clevis
9	23783	Oil Drain Extension*	52	15X2	Hex Nut 5/16"-18
10	21651	Oil Drain Cap*	53	29X93	Clevis Pin
11	402044	Frame Channel Assembly	54	21675	Brake Spring
12	19X8	External Lockwasher	55	1X85Z	Bolt 3/8"-16X3/4"
13	20103	Engine Mount Bolts	56	18X31	Spring Lockwasher
14	23874	Drive Idler Spring	57	23023	Transaxle Bracket L.H. Front
15	21428	Idler Bracket	58	19X6	Shakeproof Washer
16	23098	Drive Belt	59	1X63	Bolt 5/16"-24X5/8"
17	23052	Pulley	60	23019	Caliper Brake Unit
18	10851Z	Washer	61	20844	Knob
19	18X15	Lockwasher	62	23005	Transaxle Bracket Assembly
20	1X45Z	Bolt 5/16"-18X5/8"	63	-----	Transaxle* *
21	20613	Idler Pulley	64	24039	Square Key
22	15X84Z	Flange Locknut 3/8"-16	65	23020	Wheel Hub
23	9X12	Shoulder Bolt 3/8"-16X7/8"	66	11X6	Retainer Ring
24	21409	Idler Pulley	67	1X80	Bolt 7/16"-20X1"
25	23725Z	Stack Pulley	68	23320	Wheel & Tire
26	19X39	Shakeproof Washer	*	407226	Wheel Only
27	1X20	Bolt	*	407228	Tire Only
28	26X49	Screw	*	400162	Valve Stem & Cap
29	23789Z	Belt Guide	69	20062	Woodruff Key # 6*
30	21544	Pedal	70	21268	Grommet
31	23032	Brake Rod	71	23047	Belt Guide - L. Bracket
32	21951	Clutch Lever Assembly	72	2X53	Carriage Bolt
33	17X47Z	Washer	73	15X79Z	Flange Locknut 5/16"-18
34	21949	Brake Lever Assembly	74	23310	Gas Tank Support
35	26X174	Screw	75	26X197	Screw
36	26X95	Clevis Pin	76	15X89Z	Flange Locknut 1/4"-20
37	30X20	Cotter Pin	77	2X67	Carriage Bolt 1/4"-20X3/4"
38	21681	Clutch Link Rod	78	20619	Guide Screw
39	20682	Parking Brake Spring	79	21539	Woodruff Key # 61
40	24235	Grip-Parking Brake	80	-----	Right Angle Drive* * *
41	24202Z	Parking Brake Arm	81	1X97	Bolt 3/8"-16X1-1/4"
42	23067	Spring	82	23787	Gas Cap
43	23853	Right Angle Drive Belt	83	23396	Gas Tank Assembly

* Not illustrated in Manual.
 * * Note: Complete illustration of transaxle shown on pages 84 & 85.
 * * * Note: Complete illustration of right angle drive shown on page 79.

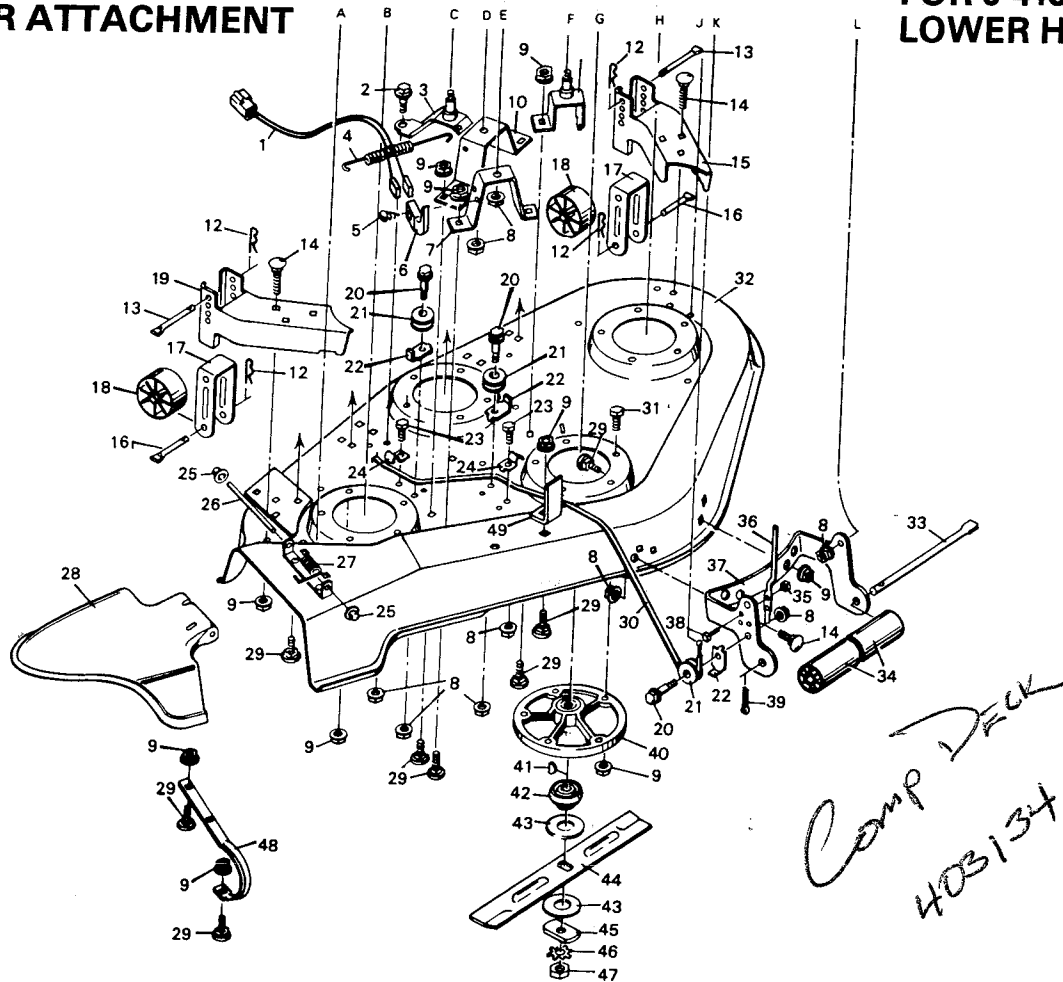
**MODEL 0-4200
42" MOWER ATTACHMENT
FOR 0-4166
TOP HALF**



Key No.	Part No.	Description
1	9X14	Shoulder Bolt
2	23185	Support Arm
3	17X57Z	Washer I.D. 15/32"
4	21912Z	Pull Pin
5	20692	Hair Pin
6	17X47Z	Washer I.D. 11/32"
7	30X20	Cotter Pin
8	24073Z	Clevis
9	29X93	Clevis Pin
10	23231	Pulley Cover
11	26X195	Screw 1/4"-X1/2" Type AB
12	23748	Blade Drive Belt
13	23211	Idler Pulley
14	15X84Z	Flange Locknut 3/8"-16
15	23179Z	Blade Drive Idler
16	20062	Woodruff Key
17	20615	Pulley
18	20616	Jackshaft
19	24074	Spring - Blade Drive
20	23226Z	Engagement Link
21	9X12	Shoulder Bolt 3/8"-16X7/8"
22	23228Z	Engagement Link Rod
23	23238	Backside Idler Pulley
24	23749	Cross Drive Belt
25	23739	Jackshaft Pulley
26	23213Z	Spacer
27	23232Z	Link Rod
28	17X53Z	Washer I.D. 13/32"
29	23180	Jackshaft
30	1X84Z	Hex Bolt 5/16"-18X1"
31	23751Z	Belt Guide
32	24072	Lifter Cable
33	20692	Hair Pin
34	15X2	Hex Nut 5/16"-18
35	21915Z	Adjusting Clevis
36	24260	Lifter Assembly
37	23184	Lifter Support
38	2X53	Carriage Bolt 5/16"-18X3/4"
39	23824Z	Adjusting Rod
40	21920	Adjusting Nut
41	23204Z	R.H. Mounting Bracket
42	1X95	Hex Bolt 1/4"-20X7/8"
43	23192Z	Guide Bracket
44	15X88Z	Flange Nut 5/16"-18
45	9X13	Shoulder Bolt 3/8"-16
46	15X66	Keps Nut 1/4"-20
47	23193Z	Guide Bracket
48	23221Z	Lifter Spring
49	23194Z	Lifter Latch
50	23222	Lifter Grip
51	21249	Engagement Lever Grip

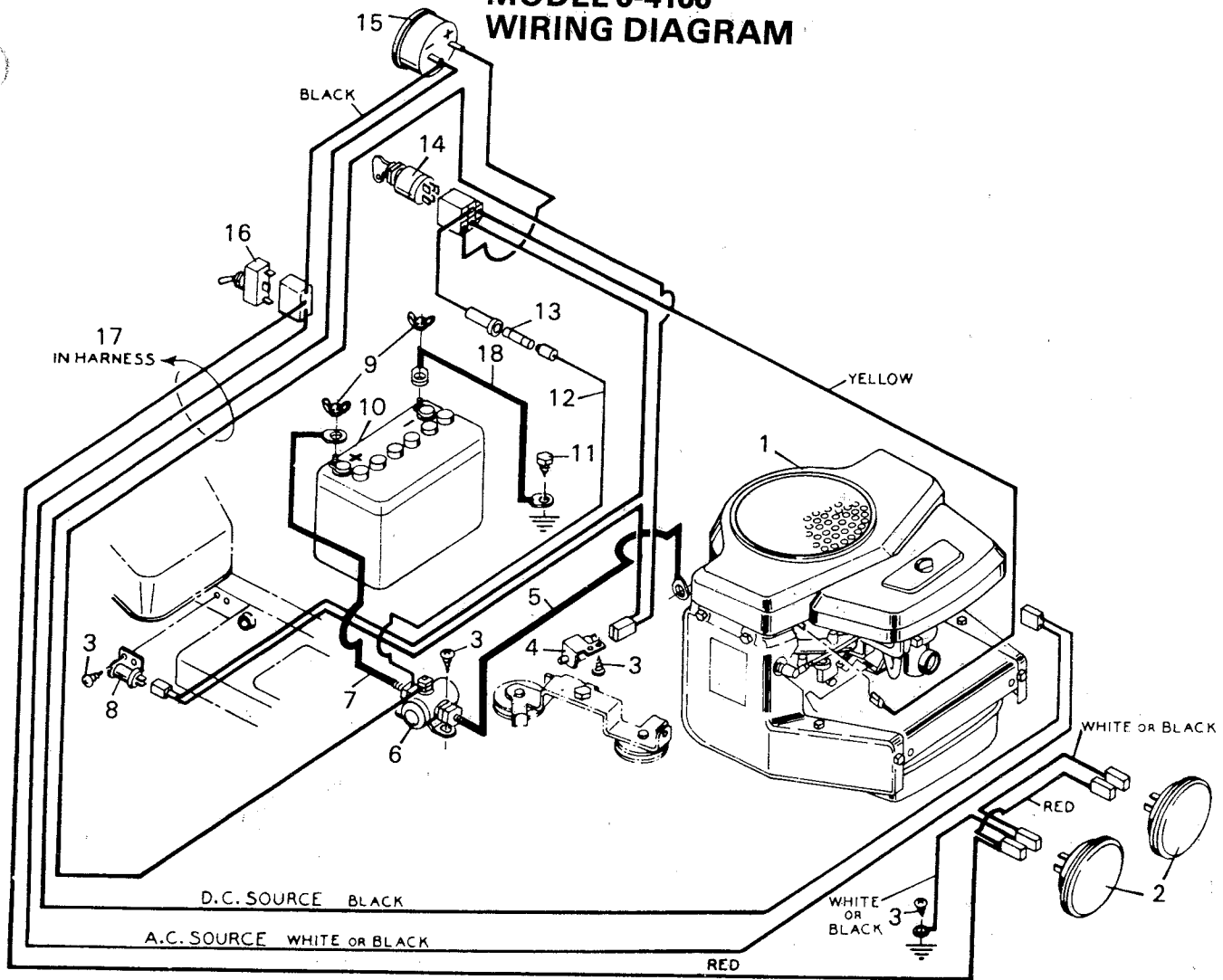
**MODEL 0-4200
42" MOWER ATTACHMENT**

**FOR 0-4166 & 0-4169
LOWER HALF**



Key No.	Part No.	Description	Key No.	Part No.	Description
1	23983	Jumper Wire	27	21189	Torsion Spring
2	9X15	Shoulder Bolt 3/8"-16X7/8"	28	23224	Chute Deflector
3	23178Z	Cross Drive Idler Assembly	29	2X53	Carriage Bolt 5/16"-18X3/4"
4	23750	Spring - Cross Drive	30	24072	Lifter Cable
5	26X211	Screw # 8X1" Type AB	31	1X84Z	Hex Bolt 5/16"-18X3/4"
6	24527	Limit Switch	32	24307	Blade Housing Assembly
7	23241	Engagement Link Support	33	23186Z	Roller Axle
8	15X84Z	Flange Locknut 3/8"-16	34	23203	Roller
9	15X88Z	Flange Locknut 3/8"-16	35	15X89Z	Flange Locknut 1/4"-20
10	23240	Idler Support	36	23790Z	Belt Guide - 11 hp. 0-4169
11	23177	Fixed Idler Assembly	*	24071Z	Belt Guide - 16 hp. 0-4166
12	20692	Cotter Hair Pin	37	24009	Roller Support
13	23259Z	Gauge Wheel Axle - Long	38	1X95	Hex Bolt 1/4"-20X7/8"
14	2X58	Carriage Bolt 5/16"-18X2-1/2"	39	30X49	Cotter Pin
15	23279	L.H. Gauge Wheel Bracket	40	20551	Jackshaft Housing
16	23258Z	Gauge Wheel Axle - Short	41	20062	Woodruff Key
17	23260Z	Gauge Wheel Retainer	42	20617	Blade Adapter
18	23257	Gauge Wheel	43	21673Z	Washer
19	23278	R.H. Gauge Wheel Bracket	44	23209	Blade
20	9X13	Shoulder Bolt	45	20663Z	Blade Washer
21	23187	Nylon Pulley	46	18X27	Lockwasher
22	23191Z	Cable Guide	47	15X72	Hex Nut 1/4"-20
23	26X195	Screw 1/4"X1/2" Type AB	48	24070	Skid
24	21953Z	Cable Guide	49	23782	Stop Clip
25	28X23	Push-On-Cap		23242	Parts Bag
26	23173Z	Deflector Rod		F-4571	Owners Manual

MODEL 0-4166 WIRING DIAGRAM



Key No.	Part No.	Description
1	-----	Engine - 16 hp. Briggs
2	23757	Sealed Beam Light
3	26X185	Screw # 10
4	21549	Limit Switch
5	24X6	Battery Cable
6	21261	Solenoid
7	23806	Battery Cable - Red
8	23029	Dummy Switch
9	14X81	Wing Nut 1/4"-20
10	24106	Battery
*	23851	Electrolyte - 85 oz.
11	26X174	Screw 5/16"X3/8" Type B
12	23834	Fuse Wire
13	23752	Fuse - Flow Blowing - 15 Amp.
14	21064PA	Switch & Key
14A	20729	Key Only
15	21057PA	Ammeter Assembly
16	21686PA	Light Switch
17	23883	Wiring Harness
18	24X6	Battery Wire - Short
*	23857	Bushing
*	21980	Wire Clamp

* Not Illustrated