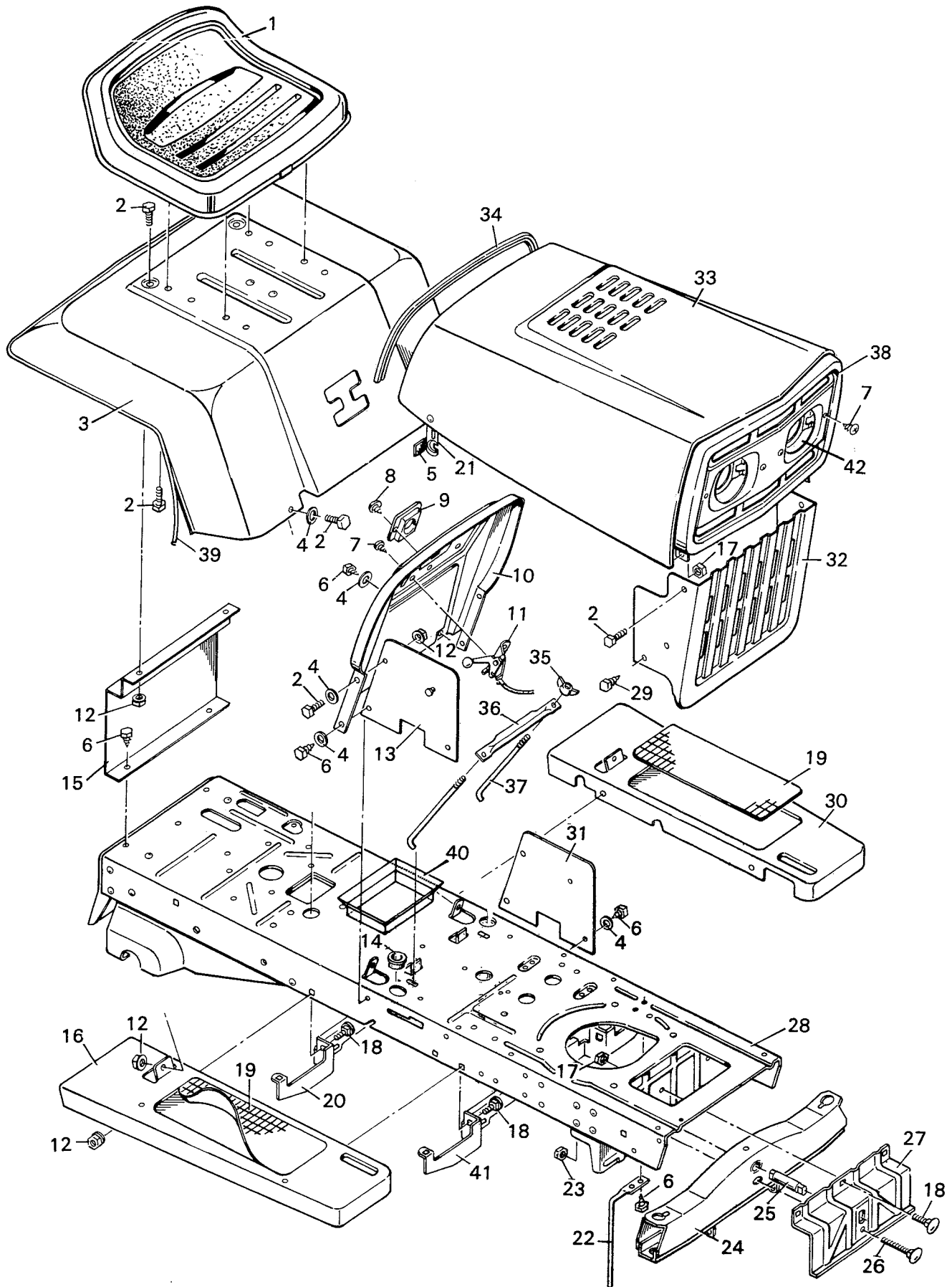


MODEL 0-3667
MODEL 0-3666

BODY PARTS ASSEMBLY



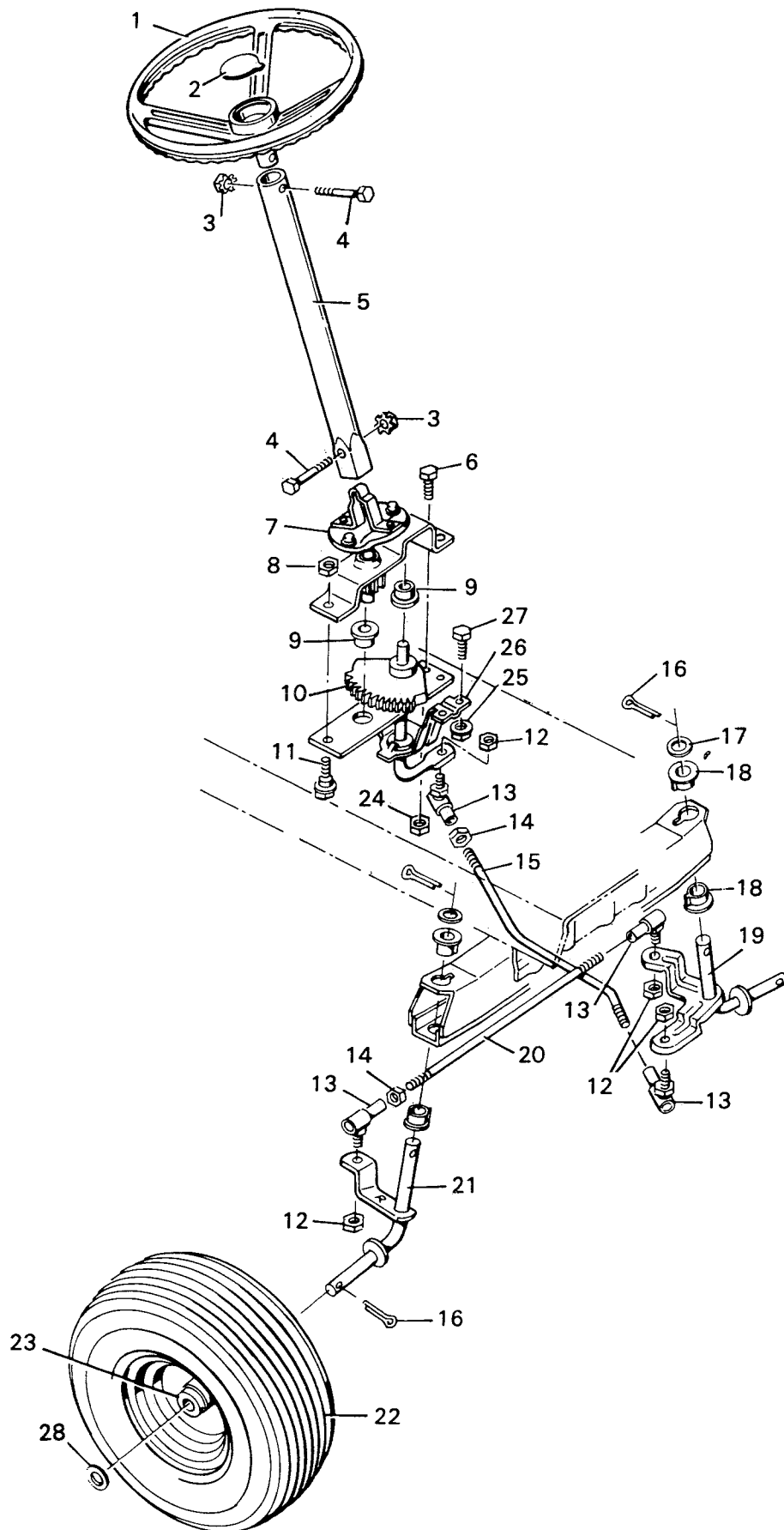
MODEL 0-3666
MODEL 0-3667

BODY PARTS ASSEMBLY

Key No.	Part No.	Description
1	23884	Seat (used on model 3667)
----	21970	Seat (used on model 3666)
2	1X45Z	Bolt 5/16" - 18X5/8"
3	23325	Rear Shroud
4	17X47Z	Washer
5	21434	Grip
6	26X197	Screw 5/16"X5/8" Type B
7	26X159	Screw # 8X3/8" Type A
8	26X186	Screw # 10X1/2" Type AB
9	21707	Steering Post Bearing
10	23299	Control Panel
11	24011PA	Remote Control
12	15X79Z	Flange Nut 5/16"-18
13	21792	Side Plate R.H.
14	21268	Grommet
15	21714	Rear Shroud Support
16	21934	Running Board R.H.
17	15X88	Locknut 5/16"-18
18	2X53	Carriage Bolt 5/16"-18X5/8"
19	21710	Rubber Mat
20	21547	Running Board Support
21	403040	Hood Latch R.H.
----	403041	Hood Latch L.H.
22	23146Z	Belt Guide
23	15X84Z	Locknut 3/8"-16
24	21441	Front Axle Assembly
25	21469	Pivot Pin
26	2X60	Carriage Bolt 3/8"-16X3"
27	21534	Front Axle Hanger
28	403029	Frame Assembly
29	26X202	Screw 3/8"X5/8"
30	21935	Running Board L.H.
31	24238	Side Plate L.H.
32	21713	Lower Grill
33	24083	Hood Assembly
34	21765	Edge Trim
35	14X81	Wing Nut
36	21761Z	Battery Clamp
37	21762Z	Battery Clamp Rod
38	21706C	Upper Grill Assembly
39	21789	Edge Trim
40	24157	Battery Tray
41	23832	Deck Stop Assembly
42	21720E	Retainer - Headlight

MODEL 0-3666
MODEL 0-3667

STEERING SECTION

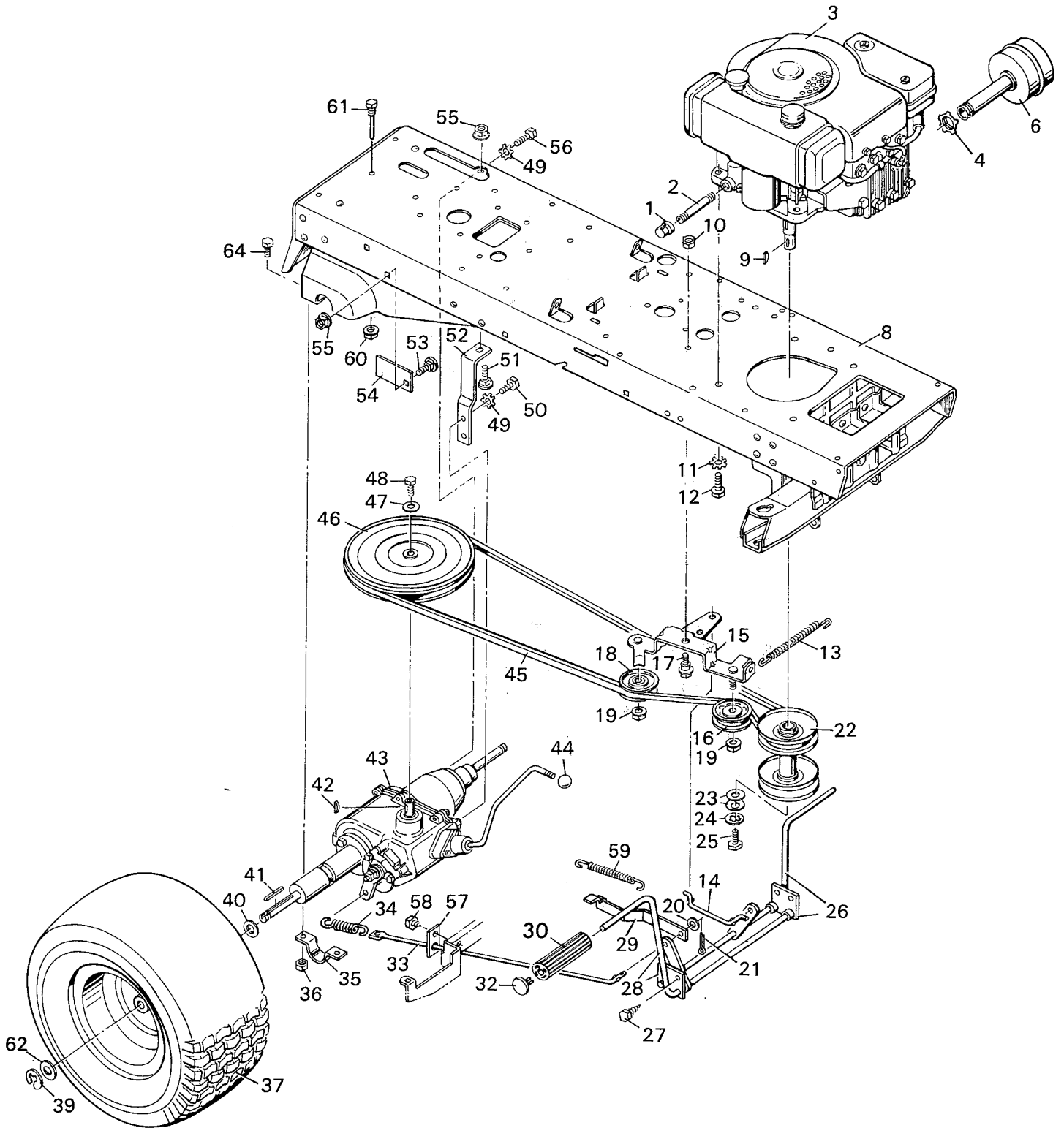


MODEL 0-3666
MODEL 0-3667

Key No.	Part No.	Description
1	21688	Steering Wheel
2	21303	Steering Wheel Cap
3	15X76	Keps Nut 5/16"-18
4	1X75	Bolt 5/16"-18X1-3/4"
5	21486C	Steering Post
6	1X45Z	Screw 5/16"-18X7/8"
7	21493	Steering Gear & Coupling Assembly
8	15X84Z	Locknut 3/8"-16
9	20587	Bearing
10	21692	Steering Arm Gear & Bracket Assembly
11	9X12	Shoulder Bolt
12	15X87Z	Locknut 3/8"-24
13	21031	Ball Joint
14	15X61Z	Hex Nut 3/8"-24
15	21482	Drag Link Rod
16	30X49	Cotter Pin 1-1/4"
17	17X83Z	Washer
18	23820	Spindle Bearings
19	24045	Spindle Assembly L.H.
20	21475	Tie Rod Assembly
21	24044	Spindle Assembly R.H.
22	21527	Wheel & Tire Assembly
	403000	Rim Only
	403001	Tire Only
	400162	Valve Stem & Cap
23	403010	Front Wheel Bearing
24	15X88	Locknut 5/16"-18
25	15X79Z	Flange Nuts 5/16"-18
26	21693	Steering Bracket
27	1X45Z	Bolt 5/16"-18X5/8"
28	17X115	Washer
	21662	Hub Cap
	21747	Parts Bag Assembly
	F-4906	Owners Manual

MODEL 0-3667
MODEL 0-3666

DRIVE SECTION



MODEL 0-3667
MODEL 0-3666

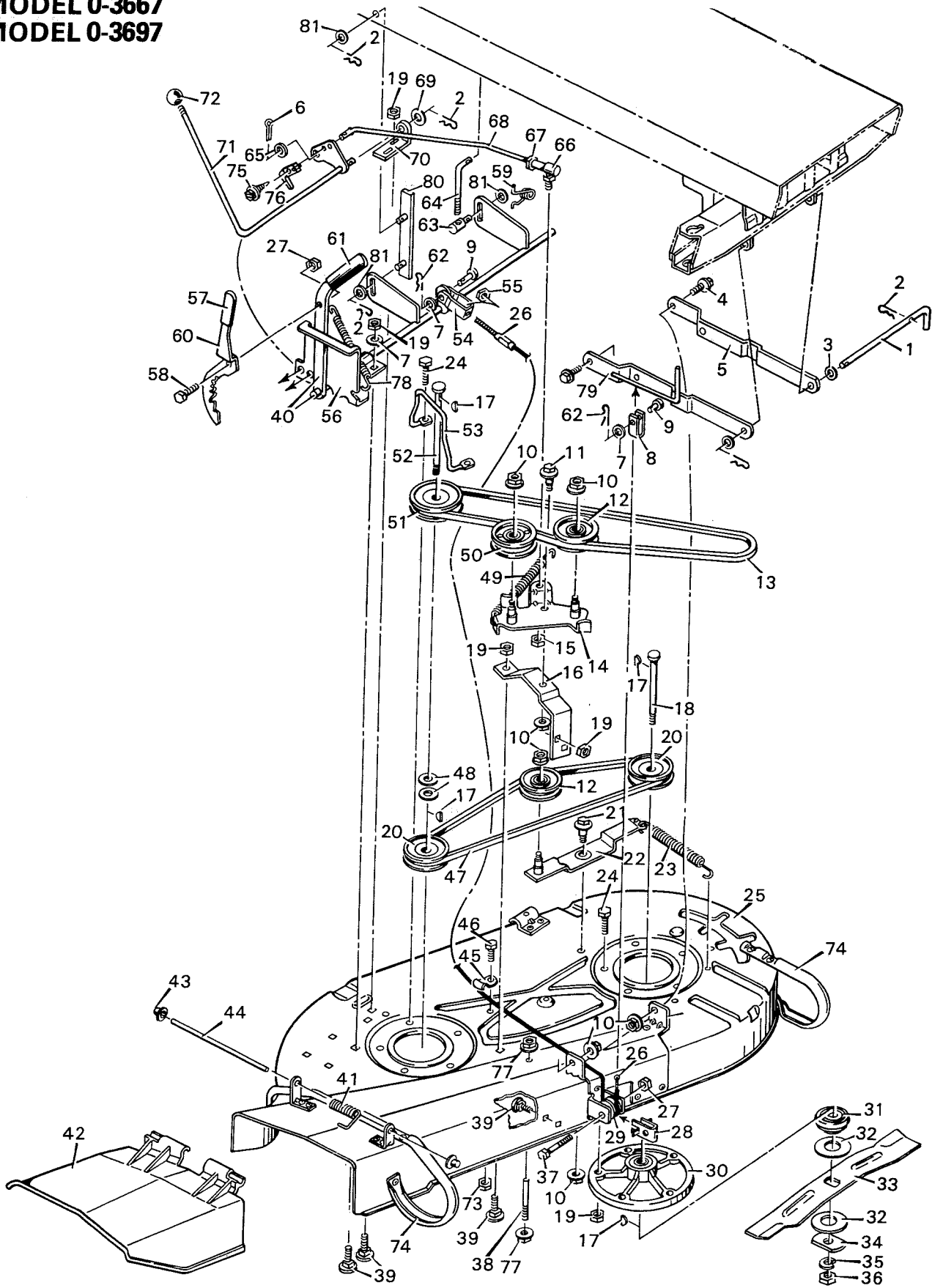
PARTS LIST

Key No.	Part No.	Description	Key No.	Part No.	Description
1	21651	Cap	35	21473	Transaxle Clamp
2	21749	Oil Drain Extension	36	15X88Z	Locknut 5/16"-18
3	-----	Engine	37	21526	Wheel & Tire Assembly
4	21616	Locknut		403004	Wheel Only
6	23343	Muffler (11 hp. only)		403005	Tire Only
6A	-----	Muffler (8 hp.)		400162	Valve Stem & Cap
8	403029	Frame Assembly	39	11X3	E-Ring
9	20062	Woodruff Key # 6	40	21521	Washer
10	15X84Z	Locknut 3/8"-16	41	21553	Square Key
11	19X8	Lockwasher	42	21539	Woodruff Key
12	20103	Engine Bolt 3/8"-16X1"	43	-----	Transaxle #
13	23724	Drive Idler Spring	44	20844	Knob
14	21681	Clutch Link Rod	45	21615	Drive Belt
15	21428	Idler Bracket & Stud Assembly	46	21447	Input Pulley
16	21409	Idler Pulley	47	18X30	Lockwasher
17	9X12	Shoulder Bolt 3/8"-16X7/8"	48	1X38Z	Bolt 1/4"-20X5/8"
18	20613	Idler Pulley	49	18X15	Lockwasher
19	15X84Z	Flange Locknut 3/8"-16	50	1X84Z	Bolt 5/16"-18X1"
20	17X47Z	Washer	51	2X57	Carriage Bolt 3/8"-16X7/8"
21	30X20	Cotter Pin 3/4"	52	21440Z	Transaxle Support Bracket
22	21415Z	Stack Pulley	53	2X56	Carriage Bolt 3/8"-16X3/4"
23	10851Z	Washer	54	21683	Belt Guide
24	19X39	Shakeproof Washer	55	15X84Z	Locknut 3/8"-16
25	1X20	Bolt 3/8"-24X1"	56	1X84Z	Bolt 5/16"-18X1"
26	21951	Clutch Lever Assembly	57	21678Z	Brake Rod Support
27	26X49	Screw	58	26X185	Screw # 10X1/2" Type AB
28	21948	Brake Lever Assembly	59	20682	Spring
29	24202Z	Parking Brake Arm	60	15X79Z	Locknut
31	21544	Pedal	61	20619	Belt Guide
32	21535	Cap	62	17X115	Washer
33	21472Z	Brake Rod	64	1X91	Bolt 5/16"-18X3/4"
34	21675	Spring		24235	Parking Brake Grip (Not Shown)

NOTE: Complete illustration of transaxle shown on pages 82 and 83.

MODEL 0-3656
MODEL 0-3666
MODEL 0-3667
MODEL 0-3697

BLADE HOUSING



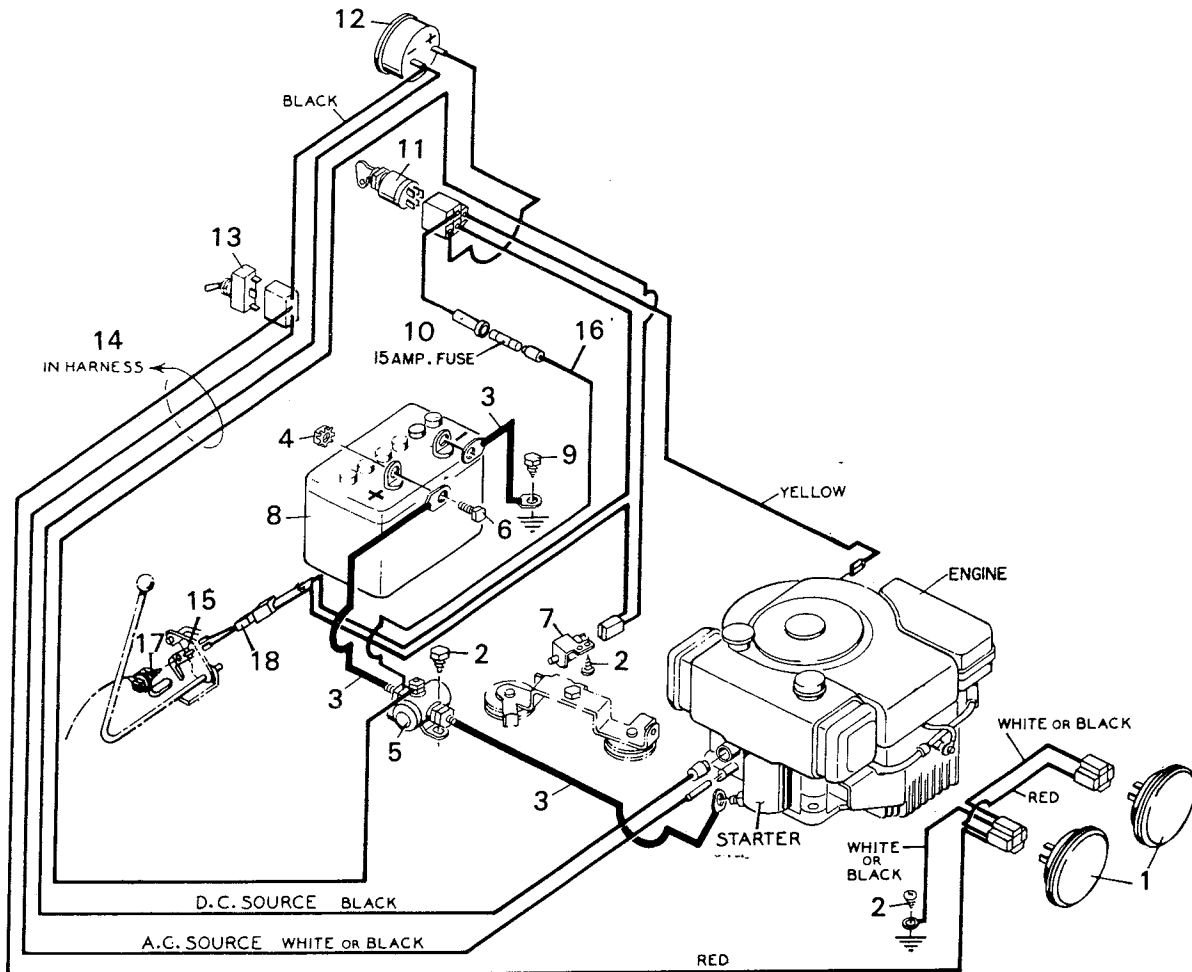
MODEL 0-3656
MODEL 0-3666
MODEL 0-3667
MODEL 0-3697

BLADE HOUSING

PARTS LIST

Key No.	Part No.	Description	Key No.	Part No.	Description
1	21912Z	Pull Pin	42	21154	Chute Deflector
2	20692	Hair Pin	43	28X23	Push-On-Cap
3	17X57Z	Washer	44	21198Z	Deflector Rod
4	9X14Z	Shoulder Bolt	45	21953Z	Cable Guide
5	21911	Support Arm L.H.	46	1X38Z	Bolt 1/4"-20X5/8"
6	30X20	Cotter Pins	47	20557	Cross Drive Blet
7	17X47Z	Washer	48	17X87Z	Washers
8	24073Z	Clevis	49	24074	Idler Spring
9	29X93	Clevis Pin	50	21409	Idler Pulley
10	15X84Z	Flange Locknut 3/8"-16	51	21096	Jackshaft Pulley
11	9X12	Shoulder Bolt 3/8"-16X7/8"	52	21024	Jackshaft - Long
12	20613	Idler Pulley	53	21504Z	Belt Guide
13	21649	Blade Drive Belt	54	21915Z	Adjusting Clevis
14	21503	Blade Drive Idler Assembly	55	15X2	Hex Nut 5/16"-18
15	15X87Z	Locknut 3/8"-24	56	21500	Lifter Bracket
16	21496	Idler Support Bracket	57	20476	Lifter Latch Grip
17	20062	Woodruff Key # 6	58	6X46	Shoulder Screw
18	20616	Jackshaft - Short	59	23139	Torsion Spring
19	15X88Z	Flange Locknut 5/16"-18	60	21591Z	Lifter Latch
20	21022	Jackshaft Pulley	61	21249	Lifter Grip
21	9X15	Shoulder Bolt	62	20692	Hair Pin
22	21139Z	Twin Blade Idler Bracket Assembly	63	21920	Adjusting Nut
23	20682	Cross Drive Idler Spring	64	23704Z	Adjusting Rod
24	1X84Z	Bolt 5/16"-18X1"	65	17X53Z	Washer
25	21907	Blade Housing	66	21031	Ball Joint
26	21913	Lifter Cable	67	15X61Z	Hex Nut 3/8"-24
27	15X67	Hex Nut 1/4"-20	68	21517	Link Rod
28	21917Z	Cable Guide	69	17X67Z	Washer
29	21916	Nylon Pulley	70	20934	Scissors Bracket R.H.
30	20551	Jackshaft Housing Assembly	71	23915C	Blade Drive Lever Assembly
31	20617	Blade Adapter	72	20739	Lever Knob
32	21673Z	Washer	73	15X66	Hex Nut 1/4"-20
33	20930	Blade	74	404015	Skid Set
34	20663Z	Blade Washer	75	26X211	Screw # 10X1" Type AB
35	18X27	Lockwasher	76	24527	Limit Switch
36	15X72	Hex Nut 1/2"-20	77	15X79Z	Flange Nut
37	1X90	Bolt 1/4"-20X1-3/4"	78	20682	Lifter Latch Spring
38	23169	Belt Guide	79	23256	Support Arm Assembly R.H.
39	2X53	Carriage Bolt	80	23705Z	Hanger Bracket Assembly
40	21906	Lifter Assembly	81	17X124	Washer
41	21189	Torsion Spring		404036	Complete Blade Housing Assembly

**MODEL 0-3666
MODEL 0-3667
MODEL 0-3697
WIRING HARNESS**



Key No.	Part No.	Description
1	20837	Seal Beam Light
2	26X185	Screw
3	24X9	Battery Cable
4	15X66	Keps Nut
5	21261	Solenoid
6	1X38Z	Bolt 1/4''-20
7	21549	Limit Switch - Clutch
8	21075	Battery
*	21079	Electrolyte
9	26X174	Screw
10	23752	Fuse 15 Amp.
11	21064PA	Switch & Key
12	21057PA	Ammeter Assembly
13	21686PA	Light Switch
14	23992	Wiring Harness
15	24527	Limit Switch - Blade Housing
16	23834	Fuse Wire
17	26X211	Screw
18	23984	Jumper Wire
	20729	Key Only

* Not Illustrated