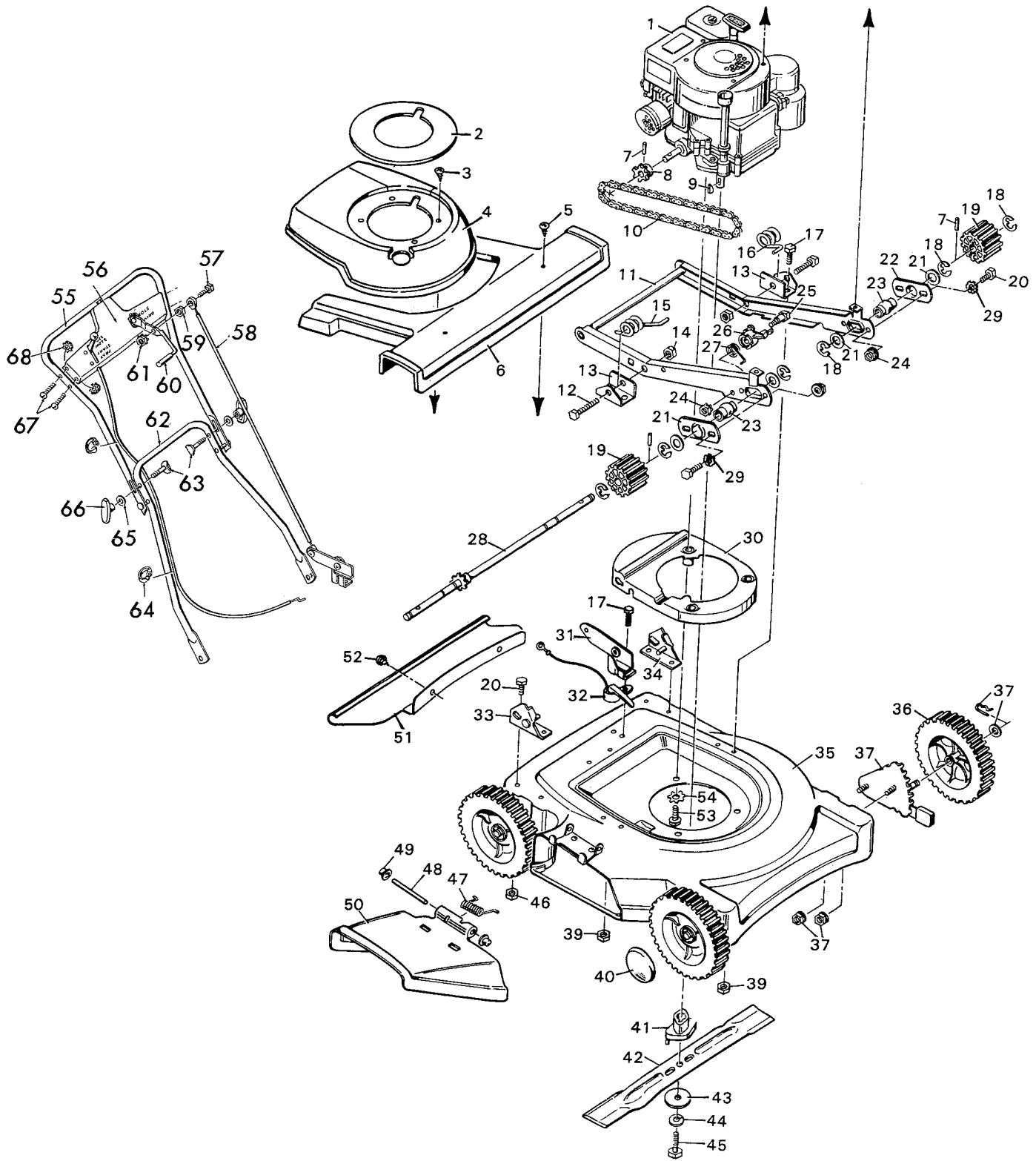


**MODEL 0-2263 22" DELUXE  
SELF-PROPELLED  
ROTARY MOWER**



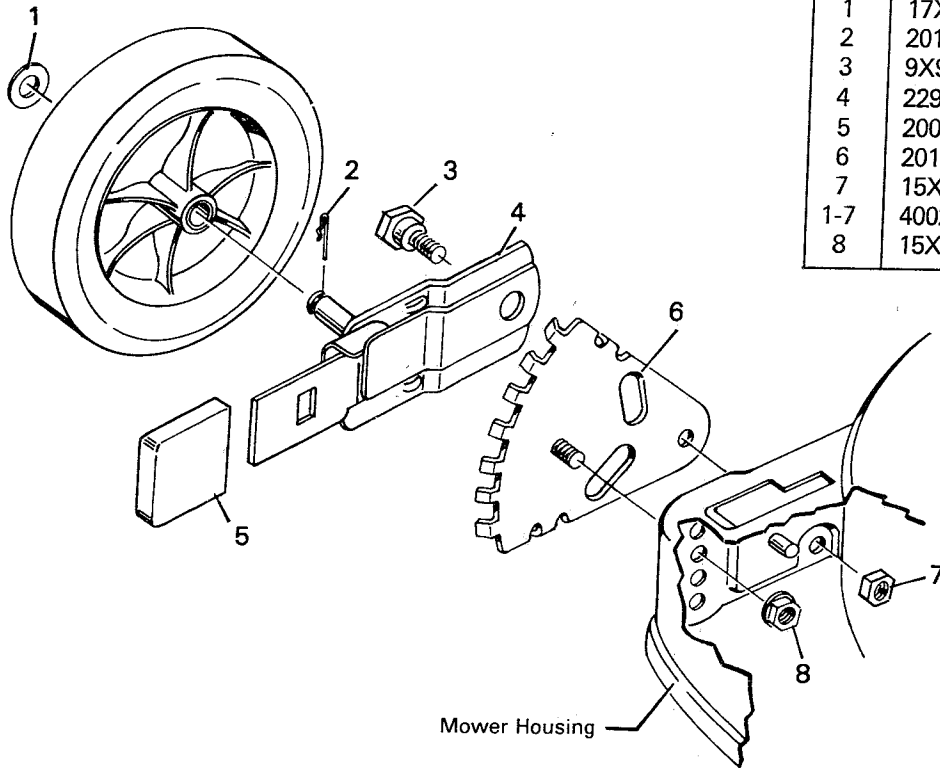
**MODEL 0-2263**

Key No.	Part No.	Description	Key No.	Part No.	Description
1	-----	Engine	35	22431	Housing Assembly
2	22334	Shroud Insert	36	22125	Wheel & Tire Assembly
3	26X159	Tapping Screw	37	400246	Wheel Adjuster Assembly*
4	22338	Engine Shroud	39	15X79Z	Hex Flange Nut
5	26X186	Screw	40	22115	Hub Cap - Chrome
6	22328	Pinion & Chain Guard	41	20051	Blade Adapter
7	32X64	Spring Pin	42	20046	Blade - 22"
8	20411	Sprocket	43	20094Z	Blade Washer
9	20062	Woodruff Key # 6	44	18X31	Spring Lockwasher
10	22279	Chain & Link	45	1X69	Blade Mounting Bolt
11	22272	Drive Arms & Tube Assembly	46	15X82Z	Flange Nut 1/4"-20
12	1X87	Hex Bolt 3/8"-16X2"	47	22052	Torsion Spring
13	22278Z	Bracket - Drive Arm	48	22326Z	Pivot Pin
14	15X12	Stover Locknut 3/8"-16	49	28X42	Push-On-Cap
15	22322Z	Torsion Spring R.H.	50	22352	Chute Deflector
16	22323Z	Torsion Spring L.H.	51	407020	Rear Guard
17	1X45Z	Hex Bolt 5/16"-18X5/8"	52	26X185	Screw
18	11X8	Retainer Ring	53	20102	Engine Mount Bolt
19	20066	Drive Pinion	54	19X8	Shakeproof Washer
20	1X38Z	Hex Bolt 1/4"-20X5/8"	55	20247C	Upper Handle Assembly
21	17X100Z	Washer	56	400169	Control Panel Assembly
22	20094Z	Bearing Retainer	57	20412	Hex Bolt
23	20048	Bearing	58	22539	Control Cable & Bracket Assembly
24	15X82Z	Flange Nut 1/4"-20	59	15X1Z	Hex Nut
25	9X11	Shoulder Bolt	60	22555	Control Lever Grip
26	22398	Chain Guide	61	15X67	Locknut
27	22399	Spring	62	20191C	Lower Handle Assembly
28	22152Z	Drive Shaft & Sprocket Assembly	63	20129Z	Contour Head Bolt
29	19X4	Shakeproof Washer	64	22550	Cable Clamp
30	20054	Engine Base & Spacer Assembly	65	17X46Z	Washer
31	22539	Lower Bracket, Cable & Pivot Assembly	66	20266	Handle Knob
32	22496	Safety Interlock Module	67	3X97Z	Machine Screw
33	20198Z	R.H. Bracket & Weld Pin Assembly	68	15X66	Keps Nuts
34	20199Z	L.H. Bracket & Weld Pin Assembly		42118	Parts Bag Assembly
				F-5070	Owners Manual

\* See page 86 for Wheel Adjuster Replacement Parts.

**DELUXE WHEEL ADJUSTER ASSEMBLY  
MODEL 400246 & MODEL 400247**

Key No.	Model 400246	Model 400247	Description
1	17X102Z	17X102Z	Washer
2	20101	20101	Hair Pin
3	9X9	9X18	Shoulder Bolt
4	22956Z	22956Z	Arm and Axle Assembly
5	20065	20065	Lever Spring Knob
6	20113Z	42007Z	Index Plate Assembly
7	15X12	15X12	Flange Locknut
1-7	400246	400247	Wheel Adjuster Assembly
8	15X84Z	15X84Z	Locknut



**STANDARD WHEEL ADJUSTER ASSEMBLY  
MODELS 400251 & 400252**

Key No.	Part No.	Description
1	17X102Z	Washer
2	20101	Hair Pin
3	42102Z	Wheel Bracket Assembly - Right Front or Left Rear
	42103Z	Wheel Bracket Assembly - Left Front or Right Rear
4	42104Z	Index Plate Assembly
1-4	400251	Wheel Adjuster Assembly Right Front or Left Rear
1-4	400252	Wheel Adjuster Assembly Left Front or Right Rear
5	15X84Z	Flange Locknut

