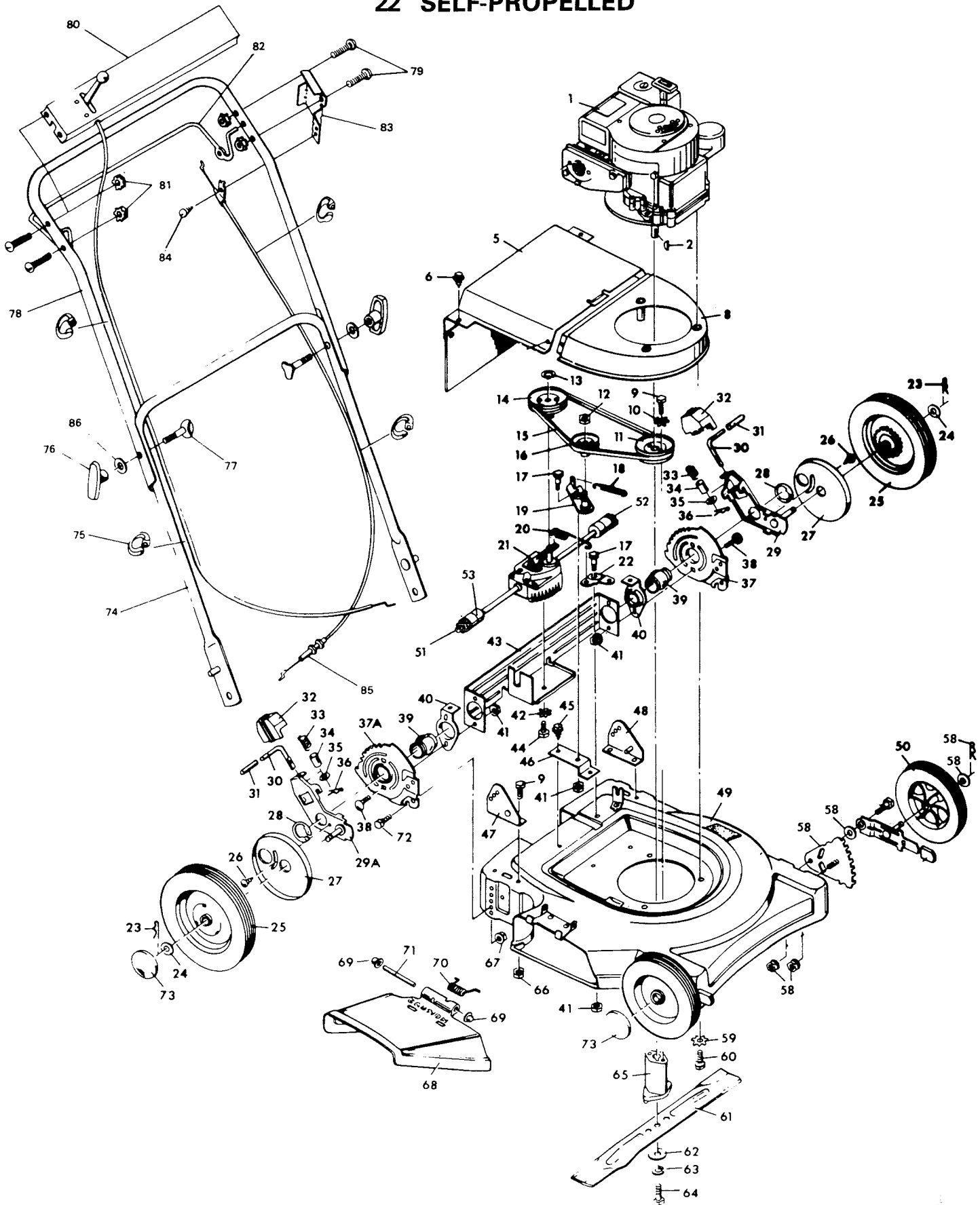


MODEL 0-2257 ROTARY MOWER 22" SELF-PROPELLED



MODEL 0-2257

Key No.	Model 0-2257 Part No.	Description	Key No.	Model 0-2257 Part No.	Description
1	-----	Engine	43	22668Z	Transmission Plate
2	20062	Woodruff Key	44	1X100	Hex Bolt
5	400206	Transmission Cover & Rear Guard Assembly	45	None	Screw
6	26X203	Screw	46	None	Idler Assembly Mount Bracket
8	22688	Engine Base & Spacer Assembly	47	22599Z	Folding Handle Bracket L.H.
9	1X38Z	Hex Bolt	48	22598Z	Folding Handle Bracket R.H.
10	18X30	Shakeproof Washer	49	22261	Housing Assembly
11	22614Z	Engine Pulley Assembly	50	20104	Wheel & Tire
12	15X89Z	Hex Nut	51	400207	Ratchet - R.H.
13	11X2	Retainer Ring	52	400208	Ratchet - L.H.
14	22617	Transmission Pulley Assembly	53	400209	Ratchet Housing R. & L.
15	22611	Drive Belt 31" Long	58	400246	Wheel Adjuster Assembly*
16	22624	Idler Pulley	59	19X8	Shakeproof Washer
17	9X2	Shoulder Bolt	60	26X205	Bolt
18	22620	Spring	61	20046	Blade
19	22660Z	Idler Bracket Assembly	62	20094Z	Washer
20	22618	Spring	63	18X31	Lockwasher
21	22610	Transmission*	64	1X101	Blade Mounting Bolt
22	22650Z	Control Lever	65	22615	Blade Adapter
23	20101	Hair Pin Cotter	66	15X82Z	Hex Nut
24	17X102Z	Washer	67	15X84Z	Flange Nut
25	2 2 7 1 1	Wheel & Tire	68	20454	Chute Deflector
26	26X185	Screw	69	28X42	Push-On-Cap
27	22631	Dust Cover	70	22052	Torsion Spring
28	11X1	Retainer Ring	71	22050Z	Pivot Pin
29A	22634	Wheel Adjuster Assembly - R.H.* * *	72	1X85Z	Bolt
30	22670Z	Height Adjuster Lock	73	22690	Hub Cap
31	22628	Grip	74	22592C	Lower Handle
32	22679	Cover	75	22550	Cable Clips
33	22627	Spring	76	20266	Handle Knob
34	22678Z	Spacer	77	20129Z	Contour Bolt
35	17X47Z	Washer	78	22691C	Upper Handle
36	20101	Hair Pin Cotter	79	3X97Z	Bolt
37	22673Z	Index Plate L.H.	80	400177	Throttle Control
37A	22672Z	Index Plate R.H.	81	15X66	Keps Nut
38	2X39	Bolt	82	22655Z	Clutch Lever
39	22625	Bearing	83	22653Z	Handle Bracket
40	22629Z	Bearing Retainer	84	26X185	Screw
41	15X89Z	Flange Nut	85	22648	Clutch Cable
42	19X4	Shakeproof Washer	86	17X46Z	Washer
				22728	Parts Bag
				F-4565	Owners Manual

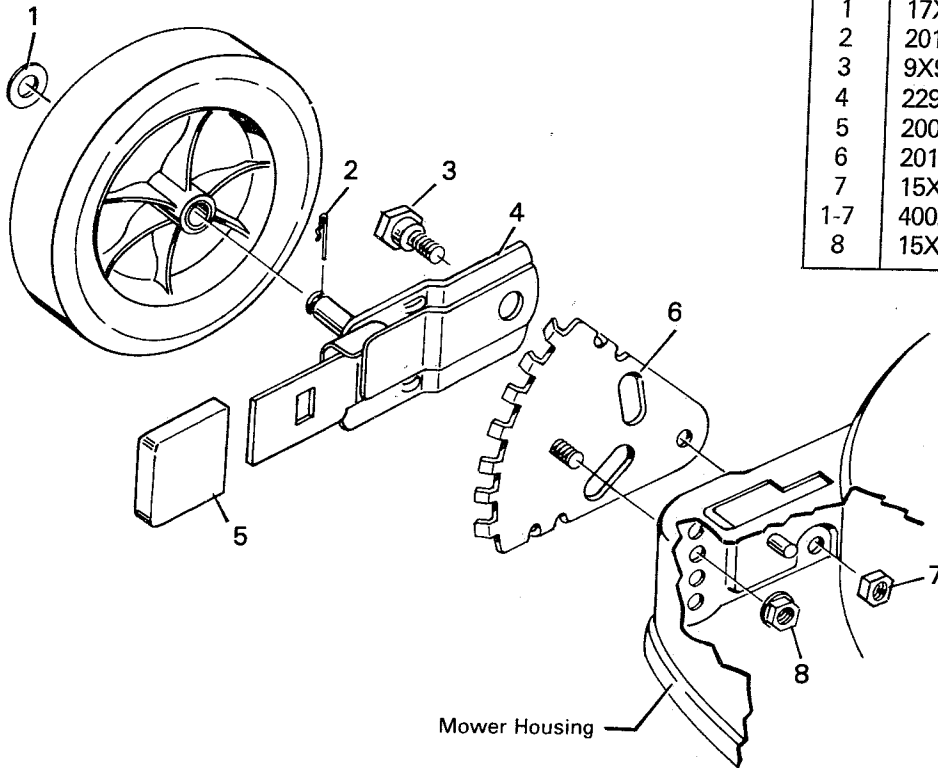
* NOTE: See page 86 for parts list for 400246 Wheel Adjuster Assembly

** NOTE: Complete illustration of 22610 transmission shown on page 80.

*** NOTE: Consists of Axle Bracket plus Items 30, 33, 34, 35, 36.

**DELUXE WHEEL ADJUSTER ASSEMBLY
MODEL 400246 & MODEL 400247**

Key No.	Model 400246	Model 400247	Description
1	17X102Z	17X102Z	Washer
2	20101	20101	Hair Pin
3	9X9	9X18	Shoulder Bolt
4	22956Z	22956Z	Arm and Axle Assembly
5	20065	20065	Lever Spring Knob
6	20113Z	42007Z	Index Plate Assembly
7	15X12	15X12	Flange Locknut
1-7	400246	400247	Wheel Adjuster Assembly
8	15X84Z	15X84Z	Locknut



**STANDARD WHEEL ADJUSTER ASSEMBLY
MODELS 400251 & 400252**

Key No.	Part No.	Description
1	17X102Z	Washer
2	20101	Hair Pin
3	42102Z	Wheel Bracket Assembly - Right Front or Left Rear
	42103Z	Wheel Bracket Assembly - Left Front or Right Rear
4	42104Z	Index Plate Assembly
1-4	400251	Wheel Adjuster Assembly Right Front or Left Rear
1-4	400252	Wheel Adjuster Assembly Left Front or Right Rear
5	15X84Z	Flange Locknut

