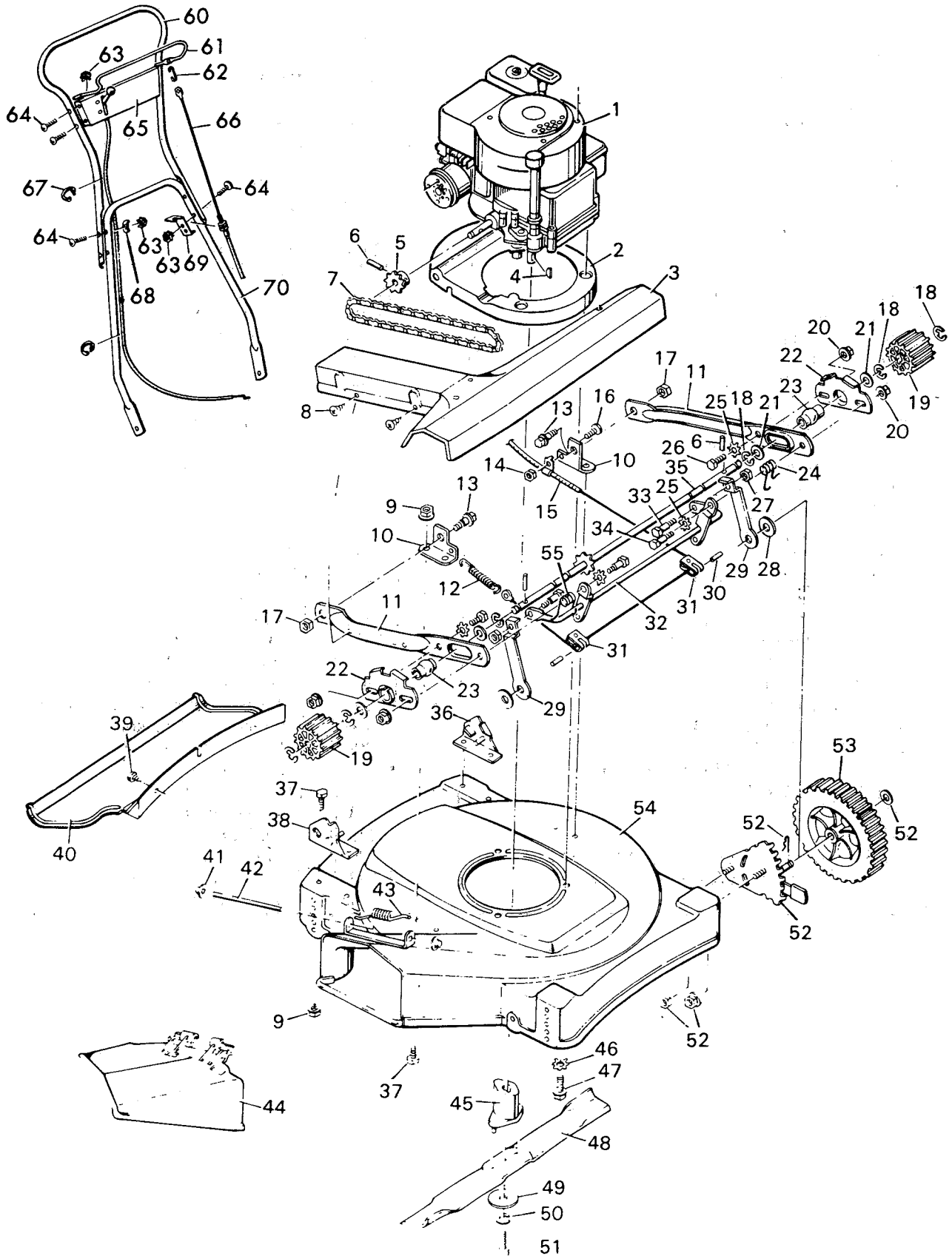


MODEL 0-2242



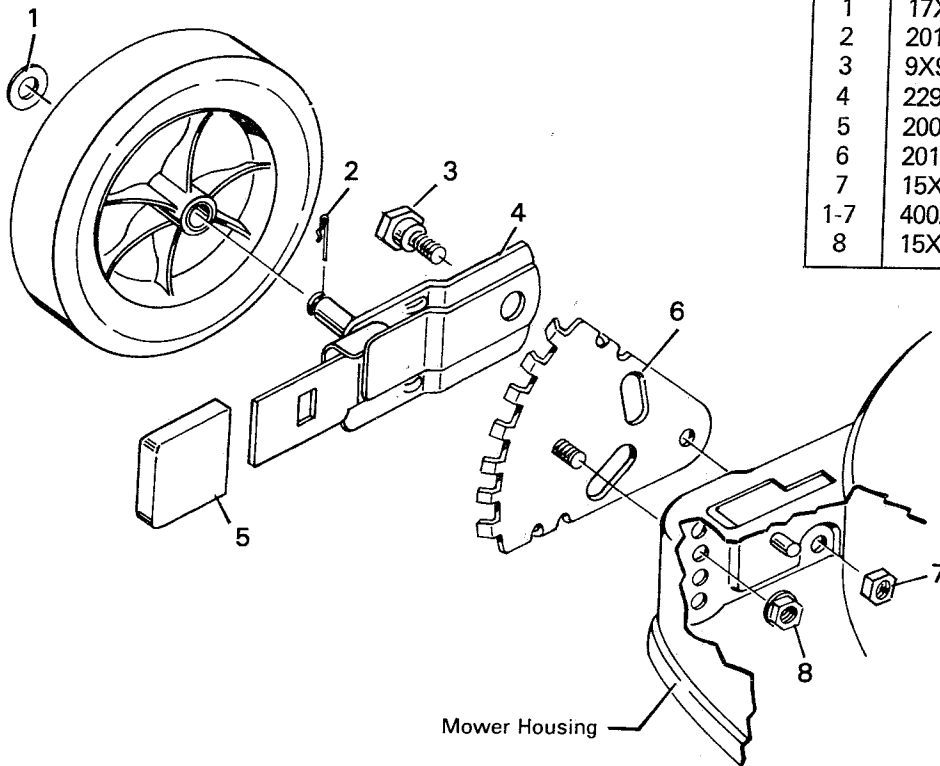
MODEL 0-2242

Key No.	Model 0-2242 Part No.	Description	Key No.	Model 0-2242 Part No.	Description
1	-----	Engine	35	22150Z	Drive Shaft & Sprocket Assembly
2	42251E	Engine Base	36	None	Bracket & Weld Pin Assembly - L.H.
3	402014	Chain & Pinion Guard Assembly	37	1X38Z	Hex Bolt
4	20062	Woodruff Key	38	None	Bracket & Weld Pin Assembly - R.H.
5	20411	Engine Sprocket	39	26X185	Screw
6	32X64	Spring Pin	40	407018	Rear Guard
7	20108	Roller Chain	41	28X42	Push-On-Cap
8	26X159	Screw	42	22050Z	Pivot Rod
9	15X82Z	Flange Locknut	43	22052	Torsion Spring
10	22953Z	Drive Yoke Support Bracket	44	20454	Chute Deflector
11	22963Z	Drive Arm	45	20051	Blade Adapter
12	22618	Spring	46	19X8	Shakeproof Washer
13	9X17	Shoulder Bolt	47	20102	Engine Bolt
14	15X51Z	Hex Nut	48	20046	Blade
15	22992	Clutch Cable	49	20094Z	Blade Washer
16	4X20	Machine Screw	50	18X31	Spring Lockwasher
17	15X84Z	Hex Nut	51	1X69	Blade Mounting Bolt
18	11X8	E-Ring	52	400246	Wheel Adjuster Assembly *
19	20066	Drive Cog	53	20105	Wheel
20	15X76	Flange Locknut	54	22994	Mower Housing
21	17X100Z	Washer	55	22976	Torsion Spring R.H.
22	22974Z	Bearing Retainer	60	22965C	Upper Handle
23	20048	Bearing	61	22958Z	Clutch Control Handle
24	22977	Torsion Spring - L.H.	62	22959	Clutch Cable Hook
25	19X6	Shakeproof Washer	63	15X66	Keps Nut 1/4''-20
26	1X45	Hex Bolt	64	3X136	Screw 1/4''-20X1-3/8''
27	15X432	Hex Nut	65	402013	Control Plate & Throttle Control
28	17X120	Washer	66	22992	Clutch Cable
29	22970Z	Wheel Connecting Lever	67	22550	Cable Clamp
30	32X70	Spring Pin	68	20087Z	Formed Washer
31	22973	Bracket and Pulley Assembly	69	22968Z	Cable Bracket
32	22952Z	Tie Rod Assembly	70	20058Z	Lower Handle
33	9X8	Bolt		22916	Parts Bag Assembly
34	9X1	Bolt		F-4824	Owners Manual

* For complete parts list information for Wheel Adjuster Assembly Model 400246, see page 86.

**DELUXE WHEEL ADJUSTER ASSEMBLY
MODEL 400246 & MODEL 400247**

Key No.	Model 400246	Model 400247	Description
1	17X102Z	17X102Z	Washer
2	20101	20101	Hair Pin
3	9X9	9X18	Shoulder Bolt
4	22956Z	22956Z	Arm and Axle Assembly
5	20065	20065	Lever Spring Knob
6	20113Z	42007Z	Index Plate Assembly
7	15X12	15X12	Flange Locknut
1-7	400246	400247	Wheel Adjuster Assembly
8	15X84Z	15X84Z	Locknut



**STANDARD WHEEL ADJUSTER ASSEMBLY
MODELS 400251 & 400252**

Key No.	Part No.	Description
1	17X102Z	Washer
2	20101	Hair Pin
3	42102Z	Wheel Bracket Assembly - Right Front or Left Rear
	42103Z	Wheel Bracket Assembly - Left Front or Right Rear
4	42104Z	Index Plate Assembly
1-4	400251	Wheel Adjuster Assembly - Right Front or Left Rear
1-4	400252	Wheel Adjuster Assembly - Left Front or Right Rear
5	15X84Z	Flange Locknut

