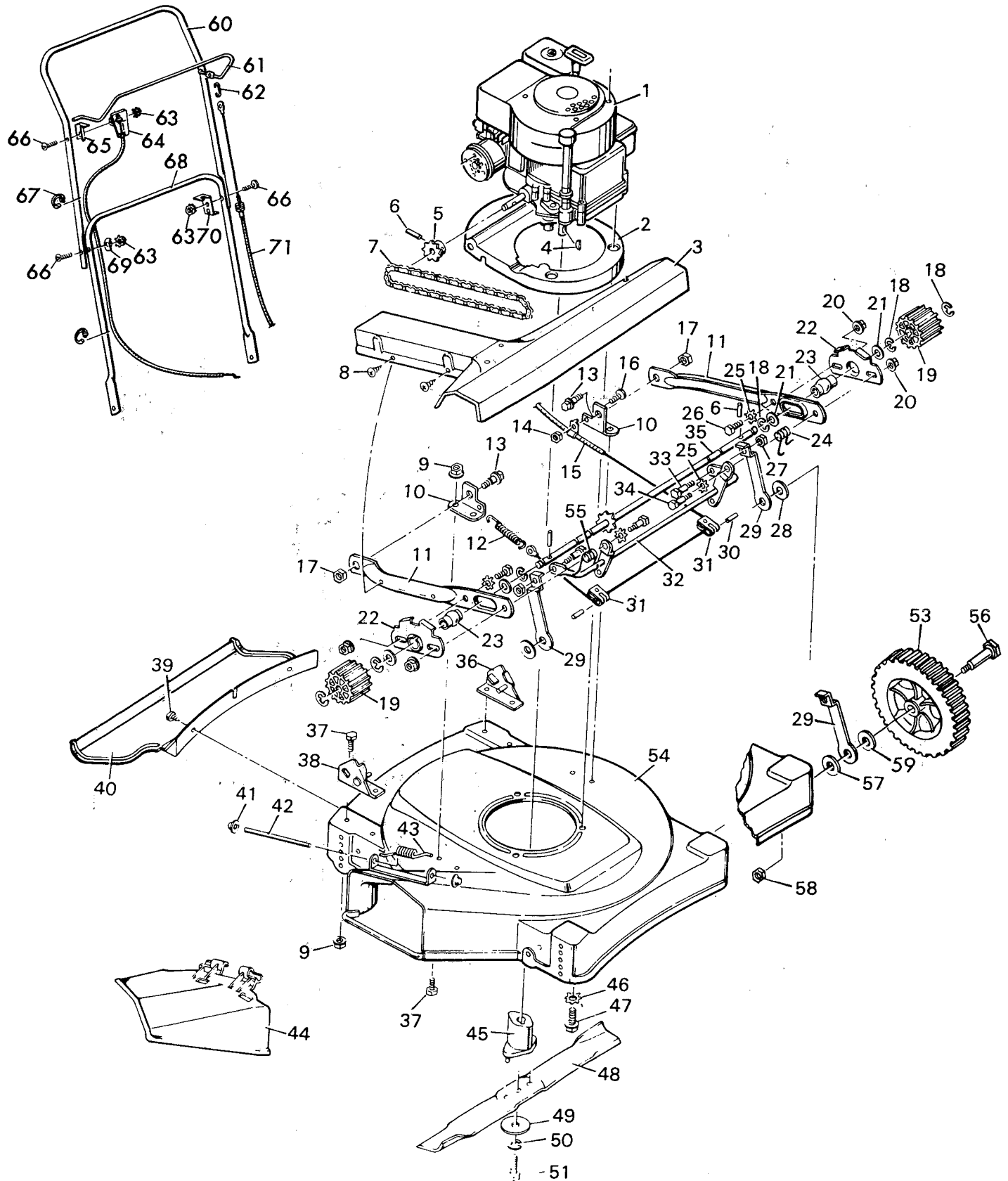


MODEL 0-2241



MODEL 0-2241

Key No.	Model 0-2241 Part No.	Description	Key No.	Model 0-2241 Part No.	Description
1	-----	Engine	37	1X38Z	Hex Bolt
2	42251E	Engine Base	38	None	Bracket & Weld Pin Assembly - R.H.
3	402014	Chain & Pinion Guard Assembly	39	26X185	Screw
4	20062	Woodruff Key	40	407018	Rear Guard
5	20411	Engine Sprocket	41	28X42	Push-On-Cap
6	32X64	Spring Pin	42	22050Z	Pivot Rod
7	20108	Roller Chain	43	22052	Torsion Spring
8	26X159	Screw	44	20454	Chute Deflector
9	15X82Z	Flange Locknut	45	20051	Blade Adapter
10	22953Z	Drive Yoke Support Bracket	46	19X8	Shakeproof Washer
11	22963Z	Drive Arm	47	20102	Engine Bolt
12	22618	Spring	48	20046	Blade
13	9X17	Shoulder Bolt	49	20094Z	Blade Washer
14	15X51Z	Hex Nut	50	18X31	Spring Lockwasher
15	22992	Clutch Cable	51	1X69	Blade Mounting Bolt
16	4X20	Machine Screw	53	20105	Wheel
17	15X84Z	Hex Nut	54	22994	Mower Housing
18	11X8	E-Ring	55	22976	Torsion Spring R.H.
19	20066	Drive Cog	56	9X6	Axle Bolt - Front
20	15X76	Flange Locknut	56	9X10	Axle Bolt - Rear
21	17X100Z	Washer	57	10851Z	Washer
22	22974Z	Bearing Retainer	58	15X68Z	Flange Nut
23	20048	Bearing	59	22941	Spacer
24	22977	Torsion Spring - L.H.	60	22961C	Upper Handle
25	19X6	Shakeproof Washer	61	22957Z	Clutch Control Handle
26	1X45	Hex Bolt	62	75079	Clutch Cable Clip
27	15X43Z	Hex Nut	63	15X66	Keps Nut 1/2"-20
28	None	Washer	64	22058	Throttle Control - Slide Action
29	22954Z	Wheel Connecting Lever	65	22975Z	Handle Stop Bracket
30	32X70	Spring Pin	66	3X99	Screw 1/4"-20X1-1/2"
31	22973	Bracket and Pulley Assembly	67	22550	Cable Clamp
32	22952Z	Tie Rod Assembly	68	20438Z	Lower Handle
33	9X8	Bolt	69	20087Z	Formed Washer
34	9X1	Bolt	70	22969Z	Cable Bracket
35	22983Z	Drive Shaft & Sprocket Assembly	71	22992	Clutch Cable
36	None	Bracket & Weld Pin Assembly - L.H.		22915	Parts Bag Assembly
				F-4824	Owners Manual