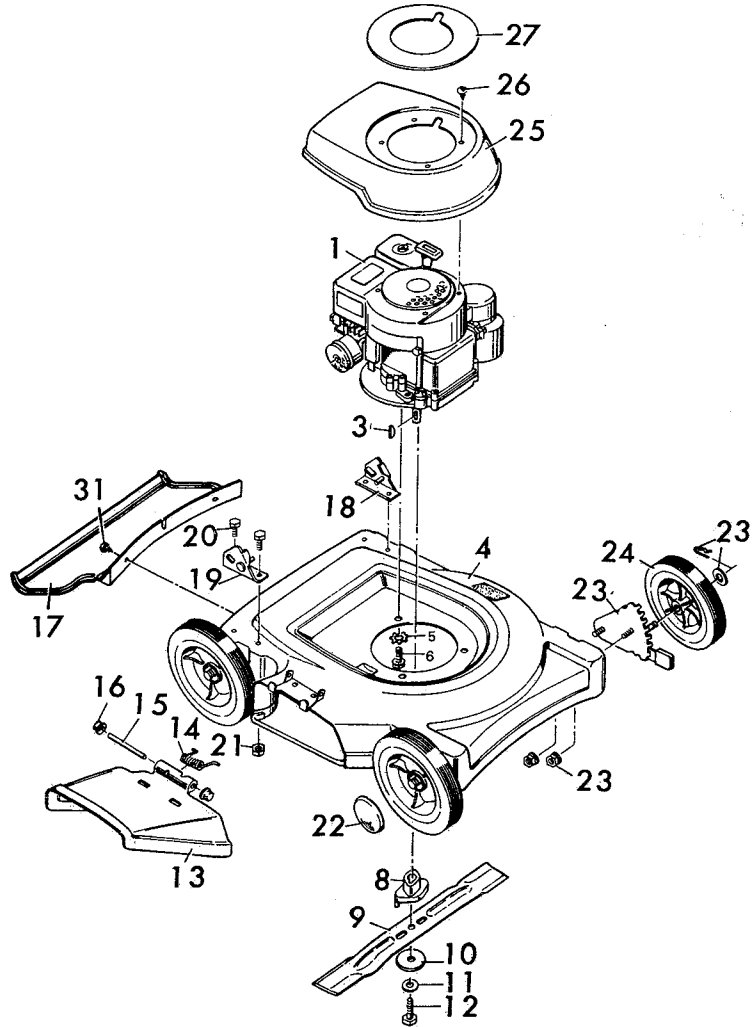
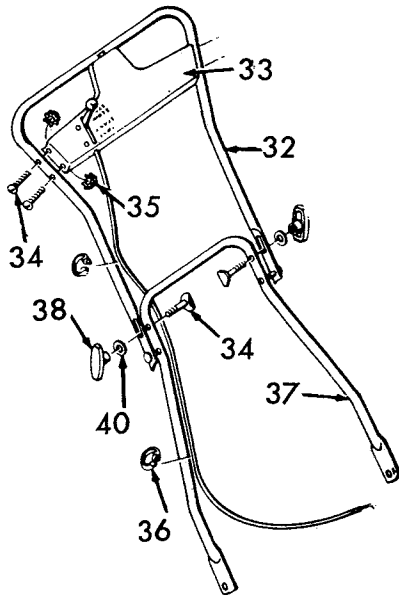


### MODEL 0-2213 22" DELUXE ROTARY MOWER

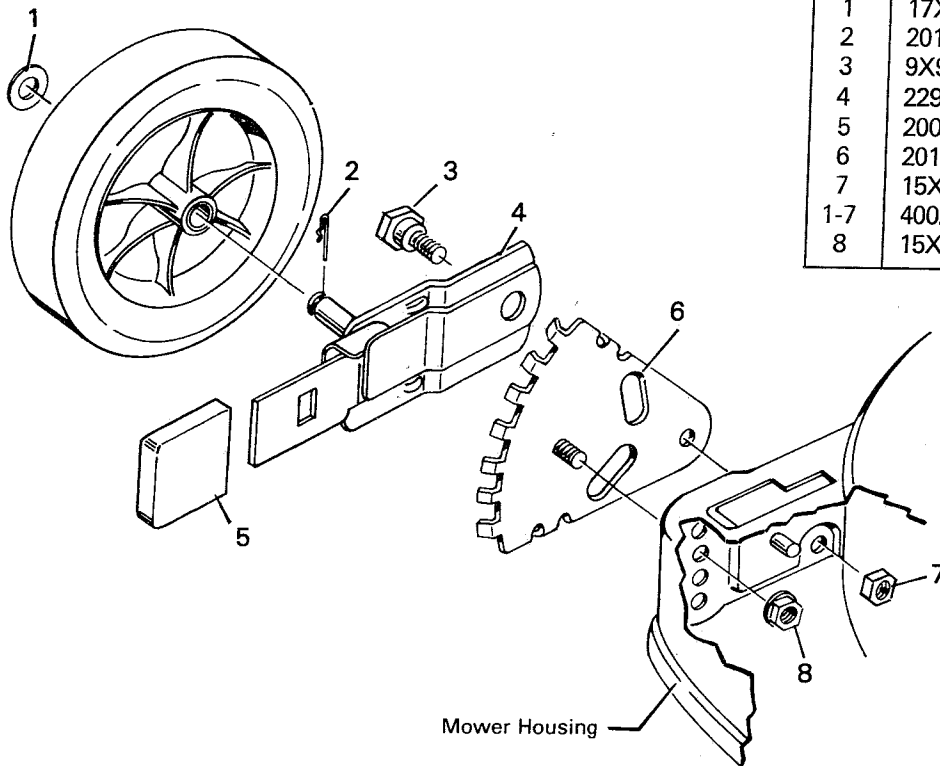


Key No.	Model 0-2213 Part No.	Description	Key No.	Model 0-2213 Part No.	Description
1	-----	Engine	21	15X82Z	Hex Nut 1/4"-20
3	20062	Woodruff Key	22	22115	Hub Cap
4	22317	Housing	23	400246	Wheel Adjuster Assembly *
5	19X8	Shakeproof Washer	24	22110	Wheel & Tire - Steel
6	20103	Engine Bolt	25	22338	Engine Shroud
8	20050	Blade Adapter	26	26X159	Screw # 8 Type A
9	20046	Blade	27	22334	Shroud Insert
10	20094Z	Washer	31	26X185	Screw
11	18X31	Cup Washer	32	20247C	Upper Handle
12	1X68	Blade Adapter Bolt 3/8"-24 1-1/2 (Minimum Thread 1")	33	400167	Control & Cable
13	22352	Chute Deflector	34	3X97Z	Bolt
14	22052	Torsion Spring	35	15X66	Keps Nut
15	22326Z	Pivot Pin	36	22550	Cable Clip
16	28X42	Push-On-Cap	37	20191C	Lower Handle Assembly
17	407020	Rear Guard	38	20266	Handle Knob
18	20199Z	Folding Handle Brkt. L.H.	39	20129Z	Contour Bolt
19	20198Z	Folding Handle Brkt. R.H.	40	17X46Z	Washer
20	1X38Z	Hex Bolt 1/4-20X5/8"		22467	Parts Bag Assembly
				F-5019	Owners Manual

\* Note: See page 86 for parts list for Wheel Adjuster Assembly

**DELUXE WHEEL ADJUSTER ASSEMBLY  
MODEL 400246 & MODEL 400247**

Key No.	Model 400246	Model 400247	Description
1	17X102Z	17X102Z	Washer
2	20101	20101	Hair Pin
3	9X9	9X18	Shoulder Bolt
4	22956Z	22956Z	Arm and Axle Assembly
5	20065	20065	Lever Spring Knob
6	20113Z	42007Z	Index Plate Assembly
7	15X12	15X12	Flange Locknut
1-7	400246	400247	Wheel Adjuster Assembly
8	15X84Z	15X84Z	Locknut



**STANDARD WHEEL ADJUSTER ASSEMBLY  
MODELS 400251 & 400252**

Key No.	Part No.	Description
1	17X102Z	Washer
2	20101	Hair Pin
3	42102Z	Wheel Bracket Assembly - Right Front or Left Rear
	42103Z	Wheel Bracket Assembly - Left Front or Right Rear
4	42104Z	Index Plate Assembly
1-4	400251	Wheel Adjuster Assembly - Right Front or Left Rear
1-4	400252	Wheel Adjuster Assembly - Left Front or Right Rear
5	15X84Z	Flange Locknut

