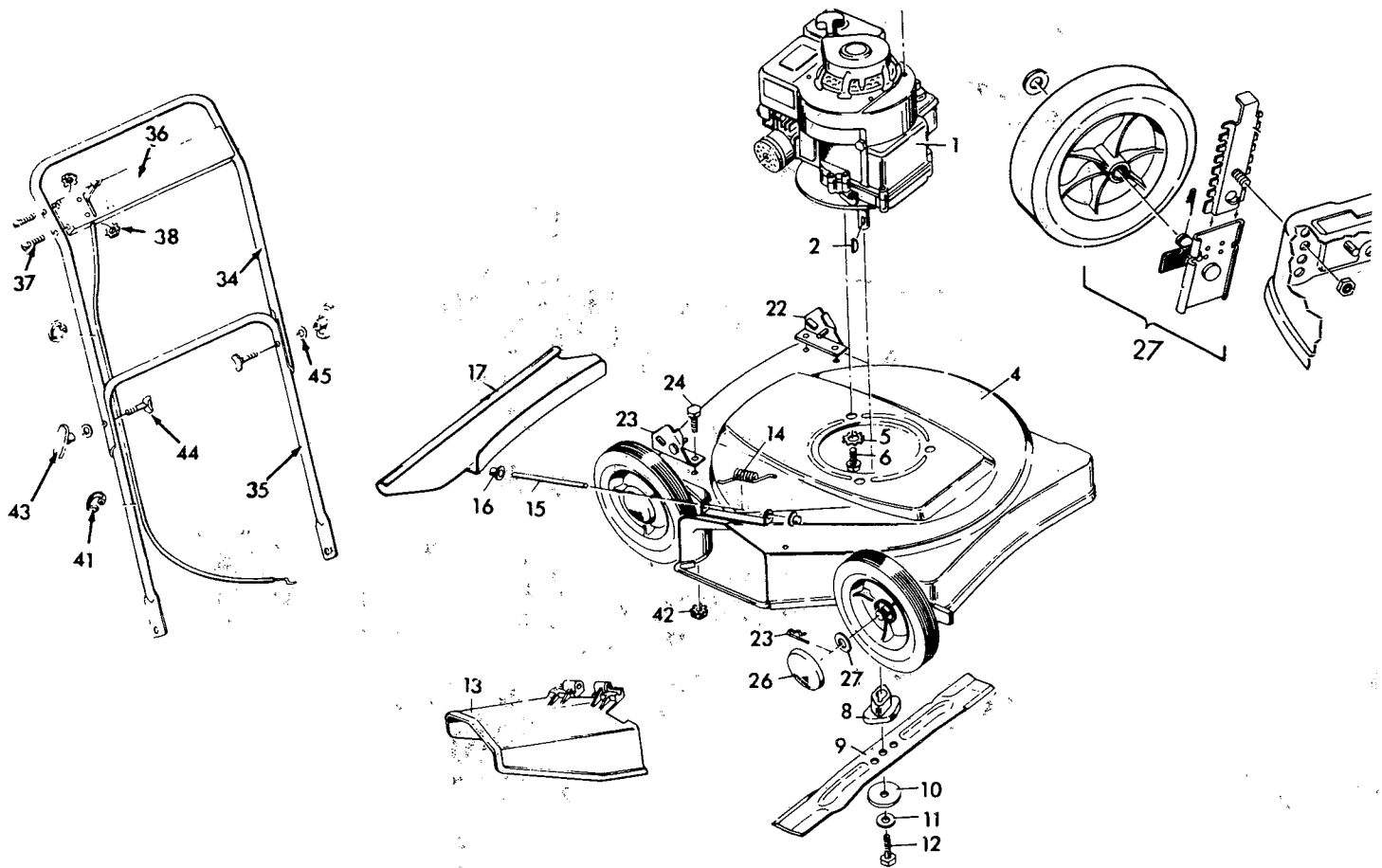


## MODEL 0-2002 20" DELUXE ROTARY MOWER

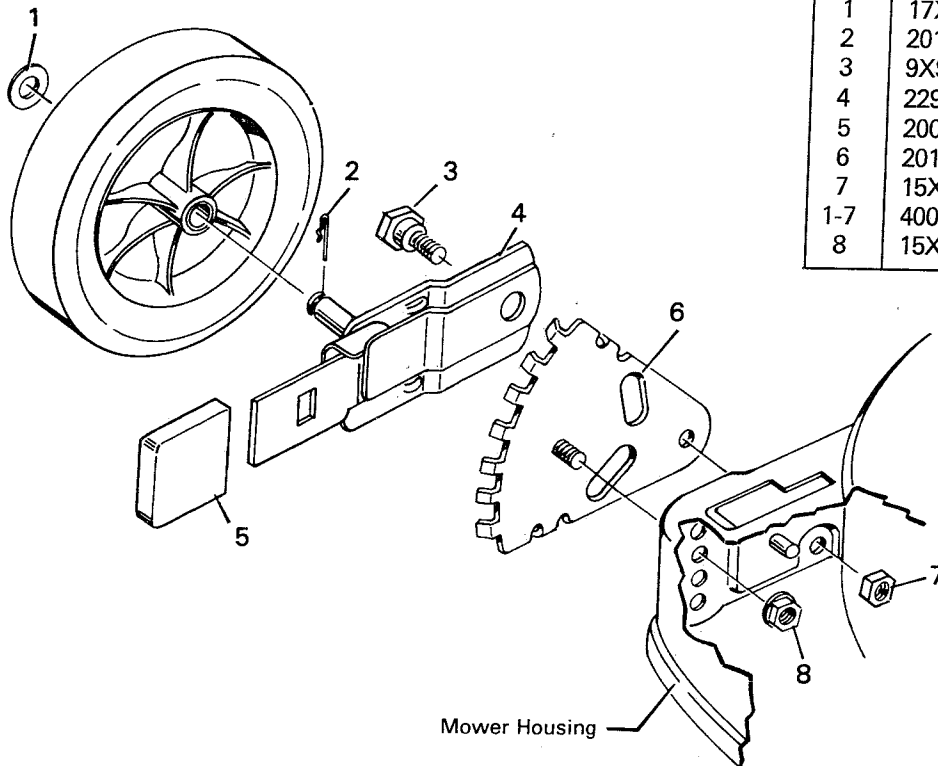


Key No.	Model 0-2002 Part No.	Description	Key No.	Model 0-2002 Part No.	Description
1	-----	Engine	26	20107	Hub Cap
2	20062	Woodruff Key	27	400251	Wheel Adjuster Assembly - Right Front or Left Rear*
4	22075	Housing	27	400252	Wheel Adjuster Assembly - Left Front or Right Rear *
5	19X8	Shakeproof Washer	28	20106	Wheel & Tire
6	20103	Engine Bolt	34	20436C	Upper Handle Assembly
8	20050	Blade Adapter	35	20438Z	Lower Handle Assembly
9	20045	Blade	36	400177	Control & Cable
10	20094Z	Washer	37	3X97Z	Bolt
11	18X31	Cup Washer	38	15X66	Keps Nut
12	1X68	Blade Adapter Bolt	41	22550	Cable Clips
13	20454	Chute Deflector	42	15X84Z	Stover Locknut
14	22052	Torsion Spring	43	20266	Handle Knob
15	22050Z	Pivot Pin	44	20129Z	Contour Bolt
16	28X42	Push-On-Cap	45	17X46Z	Washer
17	407017	Rear Guard		22467	Parts Bag
22	20199Z	L.H. Bracket & Weld Pin Assembly		F-5019	Owners Manual
23	20198Z	R.H. Bracket & Weld Pin Assembly			
24	1X38Z	Hex Bolt			

\* Note: See page 86 for parts list for Wheel Adjuster Assembly.

**DELUXE WHEEL ADJUSTER ASSEMBLY  
MODEL 400246 & MODEL 400247**

Key No.	Model 400246	Model 400247	Description
1	17X102Z	17X102Z	Washer
2	20101	20101	Hair Pin
3	9X9	9X18	Shoulder Bolt
4	22956Z	22956Z	Arm and Axle Assembly
5	20065	20065	Lever Spring Knob
6	20113Z	42007Z	Index Plate Assembly
7	15X12	15X12	Flange Locknut
1-7	400246	400247	Wheel Adjuster Assembly
8	15X84Z	15X84Z	Locknut



**STANDARD WHEEL ADJUSTER ASSEMBLY  
MODELS 400251 & 400252**

Key No.	Part No.	Description
1	17X102Z	Washer
2	20101	Hair Pin
3	42102Z	Wheel Bracket Assembly - Right Front or Left Rear
	42103Z	Wheel Bracket Assembly - Left Front or Right Rear
4	42104Z	Index Plate Assembly
1-4	400251	Wheel Adjuster Assembly - Right Front or Left Rear
1-4	400252	Wheel Adjuster Assembly - Left Front or Right Rear
5	15X84Z	Flange Locknut

