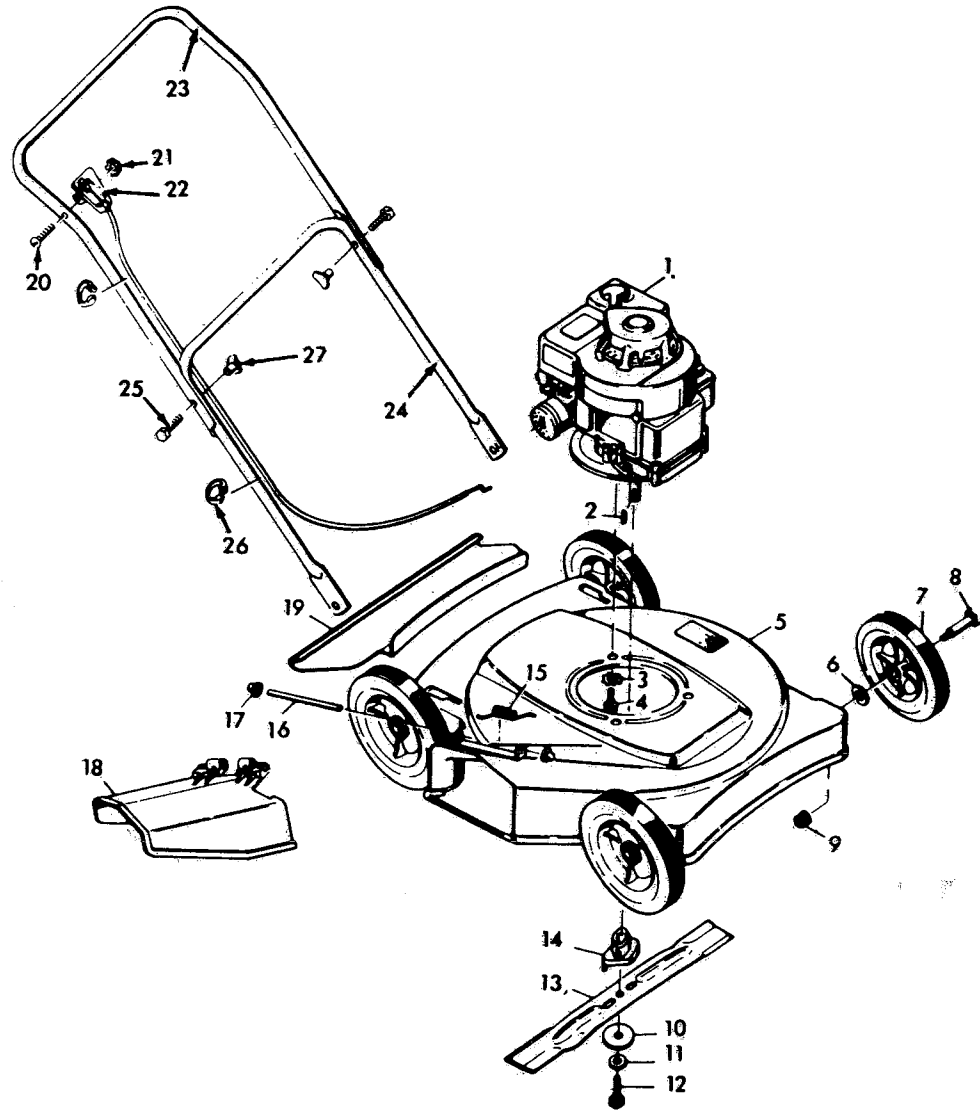


MODEL 0-2001 20" EQUIPPED ROTARY MOWER



Key No.	Model 0-2001 Part No.	Description	Key No.	Model 0-2001 Part No.	Description
1	-----	Engine	15	22052	Torsion Spring
2	20062	Woodruff Key	16	22050Z	Pivot Pin
3	19X8	Shakeproof Washer	17	28X42	Push-On-Cap
4	20103	Engine Bolt	18	20454	Chute Deflector
5	22074	Housing Assembly	19	407017	Rear Guard Panel
6	10851Z	Washer	20	3X97Z	Bolt
7	20270	Wheel & Tire	21	15X66	Keps Nut
8	9X10	Axle Bolt	22	22058	Control Assembly
9	15X68	Flange Locknut	23	20437Z	Upper Handle Assembly
10	20094Z	Washer	24	20438Z	Lower Handle Assembly
11	18X31	Cup Washer	25	22550	Cable Clip
12	1X68	Blade Adapter Bolt	26	20412	Bolt
13	20045	Blade	27	20410	T-Nut
14	20050	Blade Adapter		22062	Parts Bag
				F-5019	Owners Manual